

PTNS 10-20V

EN

ORIGINAL INSTRUCTIONS
CORDLESS TACKER



 TROTEC

Table of contents

Notes regarding the instructions 2

Safety 2

Information about the device 6

Transport and storage 8

Start-up 9

Operation 12

Available accessories 13

Errors and faults 13

Maintenance 14


Disposal 15


Declaration of conformity 15


Notes regarding the instructions


Symbols

 **Warning of electrical voltage**
This symbol indicates dangers to the life and health of persons due to electrical voltage.


 **Warning of explosive substances**
This symbol indicates dangers to the life and health of persons due to potentially explosive substances.


 **Warning of sharp object**
This symbol indicates dangers to the life and health of persons due to pointed objects.


 **Warning**
This signal word indicates a hazard with an average risk level which, if not avoided, can result in serious injury or death.


 **Caution**
This signal word indicates a hazard with a low risk level which, if not avoided, can result in minor or moderate injury.

Note
This signal word indicates important information (e.g. material damage), but does not indicate hazards.

 **Info**
Information marked with this symbol helps you to carry out your tasks quickly and safely.

 **Follow the manual**
Information marked with this symbol indicates that the instructions must be observed.

 **Wear hearing protection**
Information marked with this symbol indicates that you should wear hearing protection.

 **Wear safety glasses**
Information marked with this symbol indicates that you should wear eye protection.

 **Wear protective gloves**
Information marked with this symbol indicates that you should wear protective gloves.

You can download the current version of these instructions via the following link:




PTNS 10-20V



<https://hub.trotec.com/?id=44297>

Safety

General Power Tool Safety Warnings

 **Warning**
Read all safety warnings, instructions, illustrations and specifications provided with this power tool.
Failure to follow all instructions listed below may result in electric shock, fire and/or serious injury.
Save all warnings and instructions for future reference.

The term *power tool* in the warnings refers to your mains-operated (corded) power tool or battery-operated (cordless) power tool.

 **General Power Tool Safety Warnings – Work area safety**

- **Keep work area clean and well lit.** Clutter or dark areas invite accidents.
- **Do not operate power tools in explosive atmosphere, such as in the presence of flammable liquids, gases or dust.** Power tools create sparks which may ignite the dust or fumes.
- **Keep children and bystanders away while operating a power tool.** Distractions can cause you to lose control.



General Power Tool Safety Warnings – Electrical safety

- **Power tool plugs must match the outlet. Never modify the plug in any way. Do not use any adapter plugs with earthed (grounded) power tools.** Unmodified plugs and matching outlets will reduce risk of electric shock.
- **Avoid body contact with earthed or grounded surfaces, such as pipes, radiators, ranges and refrigerators.** There is an increased risk of electric shock if your body is earthed or grounded.
- **Do not expose power tools to rain or wet conditions.** Water entering a power tool will increase the risk of electric shock.
- **Do not abuse the cord. Never use the cord for carrying, pulling or unplugging the power tool. Keep cord away from heat, oil, sharp edges or moving parts.** Damaged or entangled cords increase the risk of electric shock.
- **When operating a power tool outdoors, use an extension cord suitable for outdoor use.** Use of a cord suitable for outdoor use reduces the risk of electric shock.
- **If operating a power tool in a damp location is unavoidable, use a residual current device (RCD) protected supply.** Use of an RCD reduces the risk of electric shock.



General Power Tool Safety Warnings – Personal safety

- **Stay alert, watch what you are doing and use common sense when operating a power tool. Do not use a power tool while you are tired or under the influence of drugs, alcohol or medication.** A moment of inattention while operating power tools may result in serious personal injury.
- **Use personal protective equipment. Always wear eye protection.** Protective equipment such as a dust mask, non-skid safety shoes, hard hat or hearing protection used for appropriate conditions will reduce personal injuries.
- **Prevent unintentional starting. Ensure the switch is in the off-position before connecting to power source and/or battery pack, picking up or carrying the tool.** Carrying power tools with your finger on the switch or energising power tools that have the switch on invites accidents.
- **Remove any adjusting key or wrench before turning the power tool on.** A wrench or a key left attached to a rotating part of the power tool may result in personal injury.
- **Do not overreach. Keep proper footing and balance at all times.** This enables better control of the power tool in unexpected situations.

- **Dress properly. Do not wear loose clothing or jewellery. Keep your hair and clothing away from moving parts.** Loose clothes, jewellery or long hair can be caught in moving parts.
- **Do not let familiarity gained from frequent use of tools allow you to become complacent and ignore tool safety principles.** A careless action can cause severe injury within a fraction of a second.



General Power Tool Safety Warnings – Power tool use and care

- **Do not force the power tool. Use the correct power tool for your application.** The correct power tool will do the job better and safer at the rate for which it was designed.
- **Do not use the power tool if the switch does not turn it on and off.** Any power tool that cannot be controlled with the switch is dangerous and must be repaired.
- **Disconnect the plug from the power source and/or remove the battery pack, if detachable, from the power tool before making any adjustments, changing accessories, or storing power tools.** Such preventive safety measures reduce the risk of starting the power tool accidentally.
- **Store idle power tools out of the reach of children and do not allow persons unfamiliar with the power tool or these instructions to operate the power tool.** Power tools are dangerous in the hands of untrained users.
- **Maintain power tools and accessories. Check for misalignment or binding of moving parts, breakage of parts and any other condition that may affect the power tool's operation. If damaged, have the power tool repaired before use.** Many accidents are caused by poorly maintained power tools.
- **Keep cutting tools sharp and clean.** Properly maintained cutting tools with sharp cutting edges are less likely to bind and are easier to control.
- **Use the power tool, accessories and tool bits etc. in accordance with these instructions, taking into account the working conditions and the work to be performed.** Use of the power tool for operations different from those intended could result in a hazardous situation.
- **Keep handles and grasping surfaces dry, clean and free from oil and grease.** Slippery handles and grasping surfaces do not allow for safe handling and control of the tool in unexpected situations.



General Power Tool Safety Warnings – Battery tool use and care

- **Recharge only with charger specified by the manufacturer.** A charger that is suitable for one type of battery pack may create a risk of fire when used with another battery pack.
- **Use power tools only with specifically designed battery packs.** Use of any other battery packs may create a risk of injury and fire.
- **When battery pack is not in use, keep it away from other metal objects, like paper clips, coins, keys, nails, screws or other small metal objects, that can make a connection from one terminal to another.** Shorting the battery terminals together may cause burns or a fire.
- **Under abusive conditions, liquid may be ejected from the battery; avoid contact. If contact accidentally occurs, flush with water. If liquid contacts eyes, additionally seek medical help.** Liquid ejected from the battery may cause irritation or burns.
- **Do not use a battery pack or tool that is damaged or modified.** Damaged or modified batteries may exhibit unpredictable behaviour resulting in fire, explosion or risk of injury.
- **Do not expose a battery pack or tool to fire or excessive temperature.** Exposure to fire or temperature above 130 °C may cause explosion.
- **Follow all charging instructions and do not charge the battery pack or tool outside the temperature range specified in the instructions.** Charging improperly or at temperatures outside the specified range may damage the battery and increase the risk of fire.



General Power Tool Safety Warnings – Charger use and care

- **This charger can be used by children aged from 8 years and above and persons with reduced physical, sensory or mental capabilities or lack of experience and knowledge if they have been given supervision or instruction concerning use of the appliance in a safe way and understand the hazards involved. Children shall not play with the appliance.** Cleaning and user maintenance shall not be made by children without supervision.
- **Never insert non-rechargeable batteries into the charger.** A charger that is suitable for one type of battery pack may create a risk of fire and explosion, when used with another battery pack or non-rechargeable batteries.

- Only charge the Li-Ion battery "Multiflex 20 – 2.0 DC" (capacity of 2.0 Ah = 5 battery cells) with the charger "Multiflex 20 – 2.0 AC". The battery voltage must match the battery charging voltage of the charger.



General Power Tool Safety Warnings – Service

- **Have your power tool serviced by a qualified repair person using only identical replacement parts.** This will ensure that the safety of the power tool is maintained.
- **Never service damaged battery pack.** Service of battery packs should only be performed by the manufacturer or authorized service providers.



Safety instructions for tackers

- **Always assume that the power tool contains fasteners (wire nails or staples).** Careless handling of the tacker can result in an unexpected ejection of wire nails or staples and lead to personal injury.
- **Do not point the power tool towards yourself or anyone nearby.** Unexpected triggering will eject a wire nail or staple which might cause an injury.
- **Do not actuate the power tool until it is placed firmly against the workpiece.** If the power tool is not in contact with the workpiece, the staple or wire nail might ricochet.
- **Disconnect the power tool from the mains connection or battery when a wire nail or staple is jammed inside.** If not de-energized, the tacker could be actuated by accident while removing a jammed staple or wire nail.
- **Exercise particular caution when removing a jammed wire nail or staple.** The mechanism may be under tension and the staple or wire nail could be forcefully ejected while you attempt to eliminate the jam.
- **Do not use this tacker for fastening electrical lines.** It is not suitable for the installation of electrical lines, it could damage the insulation of electric cables thereby causing electric shock and fire hazards.
- **Use appropriate detection equipment to track down concealed supply lines or consult the local utility companies.** Contact with electrical lines may result in fire and electric shock. Damaging a gas line may lead to an explosion. Penetrating a water line causes property damage and may cause an electric shock.
- **Do not under any circumstances use the power tool if you detect damages on the mains plug or power cable of the quick battery charger.** If the supply cord is damaged, it must be replaced by the manufacturer, his service agent or similarly qualified persons in order to avoid a hazard. Defective power cables pose a serious health risk!

- **Use clamps or another practical way to secure and support the workpiece to a stable platform.** Holding the workpiece by your hand or against the body leaves it unstable and may lead to loss of control.

Intended use

Only use the device PTNS 10-20V for tacking cardboard, leather, insulating material, fabrics made of textile or natural fibres, foils and similar materials onto a soft ground such as softwood or material similar to wood whilst adhering to the technical data.

We recommend using the power tool with original Trotec accessories.

Foreseeable misuse

The device PTNS 10-20V is not suitable for tacking hard materials such as metals, stone materials, glass and hard plastics.

Any other use than the one described in the chapter "Intended use" is regarded as reasonably foreseeable misuse.

Personnel qualifications

People who use this device must:

- have read and understood the instructions, especially the Safety chapter.

Safety signs and labels on the battery and the charger

Note

Do not remove any safety signs, stickers or labels from the device. Keep all safety signs, stickers and labels in legible condition.

The following safety signs and labels are attached to the battery:



Warning of explosion risk!

These symbols indicate the following:



Do not expose the battery pack or tool to fire or excessive temperature! Do not let the battery come into contact with water or fire! Avoid direct sunlight and moisture. There is a risk of explosion!

Never charge the battery at ambient temperatures below 10 °C or above 40 °C. Charging improperly or at temperatures outside the specified range may damage the battery and increase the risk of fire.



Observe the correct disposal of the battery!

This symbol indicates the following:

Ensure that the battery is disposed of correctly and never dispose of it in waste water or public waters. The battery contains irritating, caustic and toxic substances that pose significant risks to people and the environment.

The following safety signs and labels are attached to the charger:



This symbol indicates the following:
Read the instructions or operating manual before charging the battery.



This symbol indicates the following:
Only use the charger for charging the battery in dry interior spaces. Do not charge the device outdoors.

Personal protective equipment



Wear hearing protection.

Excessive noise can lead to hearing loss.



Wear eye protection.

With it you protect your eyes from splintering, falling and flying pieces which could cause injuries.



Wear protective gloves.

They protect your hands from burns, crushing injuries and skin abrasions.

Residual risks



Warning of electrical voltage

Electric shock due to insufficient insulation!
Check the device for damages and proper functioning before each use.

If you detect damages, do not use the device any longer.

Do not use the device when either the device or your hands are damp or wet!



Warning of electrical voltage

Work on the electrical components must only be carried out by an authorised specialist company!



Warning of electrical voltage

Before any work on the device, remove the mains plug from the mains socket and the battery from the device!
Hold onto the mains plug while pulling the power cable out of the mains socket.



Warning of electrical voltage

There is a risk of a short-circuit due to liquids penetrating the housing!

Do not immerse the device and the accessories in water. Make sure that no water or other liquids can enter the housing.



Warning of explosive substances

Do not expose the battery to temperatures above 45 °C! Do not let the battery come into contact with water or fire! Avoid direct sunlight and moisture. There is a risk of explosion!

**Warning**

Make sure not to hit power, gas or water lines when working with a power tool.
If necessary, use a pipe detector to check the wall you want to drill in or slit open.

**Warning**

Risk of injuries caused by flying parts or bursting tool heads.

**Warning**

Dangers can occur at the device when it is used by untrained people in an unprofessional or improper way! Observe the personnel qualifications!

**Warning**

The device is not a toy and does not belong in the hands of children.

**Warning**

Risk of suffocation!
Do not leave the packaging lying around. Children may use it as a dangerous toy.

**Caution**

Vibration emissions can cause a health hazard if the device is used for an extended period of time or if it is not properly handled and maintained.

**Caution**

Keep a sufficient distance from heat sources.

Note

If you store or transport the device improperly, the device may be damaged.
Note the information regarding transport and storage of the device.

Behaviour in the event of an emergency / emergency stop function

Emergency stop:

Removing the battery results in the function of the device stopping immediately. Leave the battery out in order to secure the device against accidental switch-on.

Behaviour in the event of an emergency:

1. Switch the device off.
2. In the event of an emergency, remove the battery from the device: Hold the release button of the battery and pull the battery off the device as described in chapter "Removing the battery".
3. Do not insert the battery if the device is defective.

Information about the device**Device description**

The device PTNS 10-20V is a high-performance portable cordless tacker and is particularly suited for being used in the hobby and DIY sector.

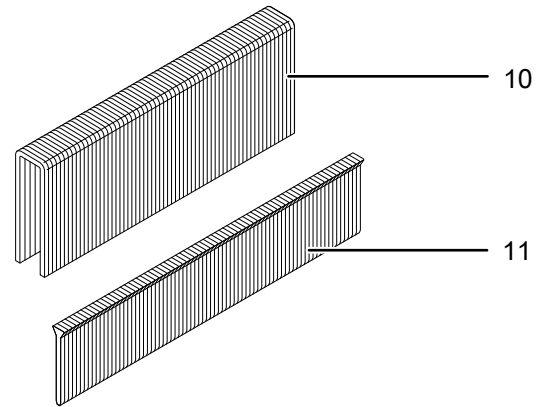
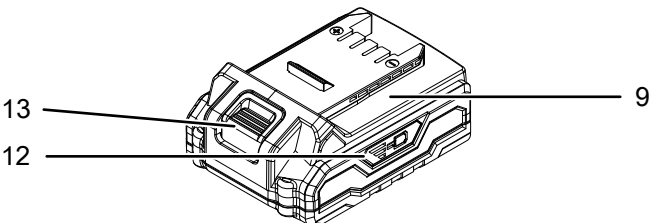
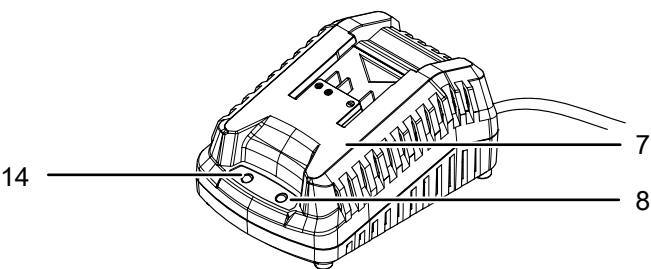
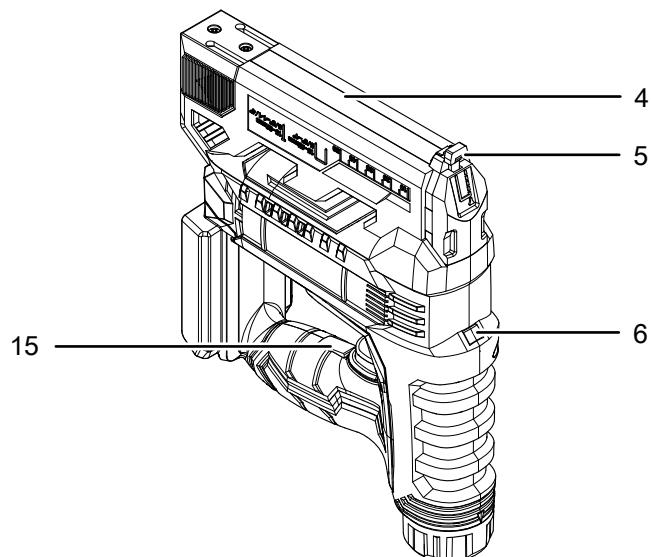
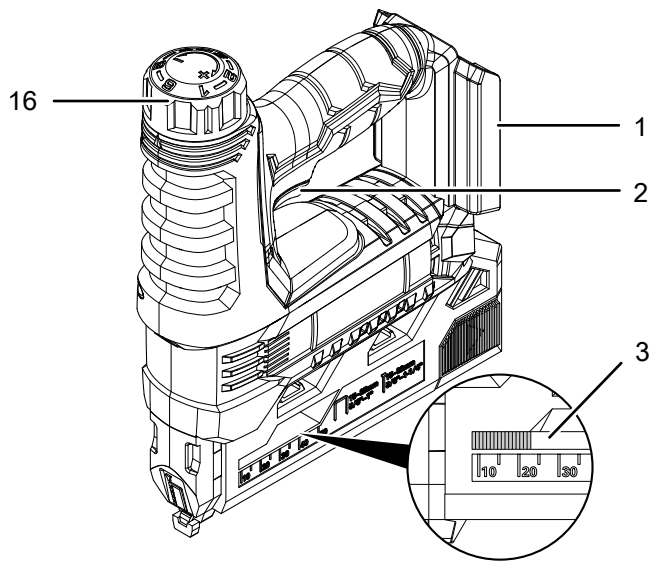
You can staple and tack cardboard, leather, textile or natural fibres and similar materials onto softwood or material similar to wood.

The device comes with a magazine filling level indication for checking the remaining supply of staples and wire nails. The magazine can accommodate up to 100 staples of type 55 or 50 wire nails of type 47.

The integrated LED work light offers an improved illumination of the operating range.

The battery comes with its own battery level indication. As a result you can check the current charging status without having to connect it to the device.

Device depiction

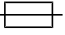



No.	Designation
1	Battery holder
2	Trigger
3	Magazine filling level indicator
4	Magazine slider
5	Tacker guide nose / staple ejection
6	LED work lamp
7	Quick charger
8	Red battery LED (battery charging)
9	Battery
10	Staples
11	Wire nails
12	Battery level indication
13	Release button
14	Green battery LED (quick charger ready for operation)
15	Button for LED work lamp
16	Impact force regulator

Scope of delivery

- 1 x Device PTNS 10-20V
- 1 x Rechargeable battery
- 1 x Quick charger
- 500 x staples, type 55, length: 20 mm, width: 6 mm
- 500 wire nails, type 47, length: 20 mm, width: 0.8 mm
- 1 x Transport case
- 1 x manual

Technical data

Parameter	Value
Model	PTNS 10-20V
Nominal voltage	20 V $\overline{=}$
Impact frequency	30 rpm
Fastener type: staple	Type 55 Length 15 – 25 mm Width 6 mm Thickness 1.2 mm
Fastener type: wire nail	Type 47 Length 15, 20, 25, 32 mm Width 0.8 mm
Max. holding capacity of magazine	100 staples, 50 wire nails
Weight	2.5 kg
Battery	Multiflex 20 – 2.0 DC
Type	Li-ion
Nominal voltage	20 V $\overline{=}$
Nominal capacity	2 Ah
Rechargeable cells	5
Capacity	40 Wh
Quick charger	Multiflex 20 – 2.0 AC
Input	
Nominal voltage	230 – 240 V / 50 Hz
Power input	65 W
Output	
Nominal voltage	21.5 V $\overline{=}$
Charging current	2.4 A
Fusing 	3.15 A (slow-blowing)
Charging time	1 h
Protection class	II (double insulation) / 
Vibration information according to EN 60745	
Vibration emission value a_h	2.4 m/s ²
Uncertainty K	1.5 m/s ²
Sound values according to EN 60745	
Sound pressure level L_{pA}	85 dB (A)
Sound power L_{WA}	96 dB (A)
Uncertainty K	3 dB



Wear hearing protection.

Excessive noise can lead to hearing loss.

Information on noise and vibration:

- The vibration level specified in these instructions was determined by means of a measuring method standardized in EN 60745 and can be used for a device comparison. The specified vibration emission value may also be used for a preliminary assessment of the exposure.



Caution

Vibration emissions can cause a health hazard if the device is used for an extended period of time or if it is not properly handled and maintained.

- The vibration level will change depending on the application of the power tool and may in some cases differ from the value specified in these instructions. The vibration load may be underestimated if the power tool is used regularly in such a way. For a precise estimation of the vibration load during a certain work period, it is also important to consider the periods during which the device is switched off, or is running but not actually employed. This can reduce the vibration load over the entire work period significantly.

Transport and storage

Note

If you store or transport the device improperly, the device may be damaged.

Note the information regarding transport and storage of the device.

Transport

For transporting the device, use the transport case included in the scope of delivery in order to protect the device from external influences.

Before transporting the device, observe the following:

- Switch off the device.
- Hold onto the mains plug while pulling the power cable of the charger out of the mains socket.
- Allow the device to cool down.
- Remove the battery from the device.

The supplied Li-ion batteries are subjects to the requirements of dangerous goods legislation.

Observe the following when transporting or shipping Li-ion batteries:

- The user may transport the batteries by road without any additional requirements.
- If transport is carried out by third parties (e.g. air transport or forwarding company), special requirements as to packaging and labelling must be observed. This includes consulting a dangerous goods specialist when preparing the package.
 - Only ship batteries if their housing is undamaged.
 - Mask open terminals with tape and pack the battery in a way that it cannot move inside the packaging.
 - Please also observe any other national regulations.

Storage

Before storing the device, observe the following:

- Switch off the device.
- Hold onto the mains plug while pulling the power cable of the charger out of the mains socket.
- Allow the device to cool down.
- Remove the battery from the device.
- Clean the device as described in the Maintenance chapter.
- For storing the device, use the transport case included in the scope of delivery in order to protect the device from external influences.
- Do not store Li-ion batteries which are completely discharged. Storing discharged batteries can lead to a deep discharge and thus damage the battery.

When the device is not being used, observe the following storage conditions:

- dry and protected from frost and heat
- Ambient temperature below 45 °C
- Protected from dust and direct sunlight inside the transport case

Start-up

Unpacking the device

- Take the device and the accessories out of the packaging.



Warning of electrical voltage

Electric shock due to insufficient insulation!
Check the device for damages and proper functioning before each use.

If you detect damages, do not use the device any longer.

Do not use the device when either the device or your hands are damp or wet!

- Check the scope of delivery for completeness and look for damages.



Warning

Risk of suffocation!

Do not leave the packaging lying around. Children may use it as a dangerous toy.

- Dispose of the packaging material according to the national regulations.

Charging the battery

Note

The battery can be damaged in case of improper charging.

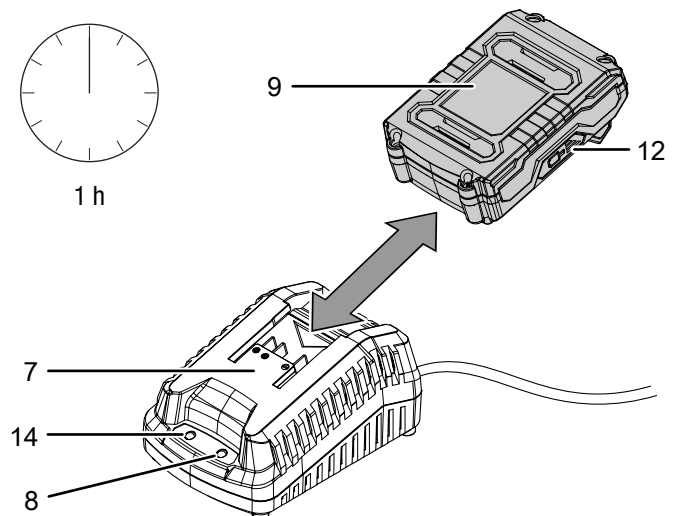
Remove the charger's mains plug before inserting or removing the battery.

Never charge the battery at ambient temperatures below 10 °C or above 45 °C.

The battery is partially charged upon delivery to avoid damage to the battery caused by a deep discharge.

Prior to initial start-up and when the battery is low (only the red LED in the battery level indication (12) is illuminated), the battery should be charged. To do so, please proceed as follows:

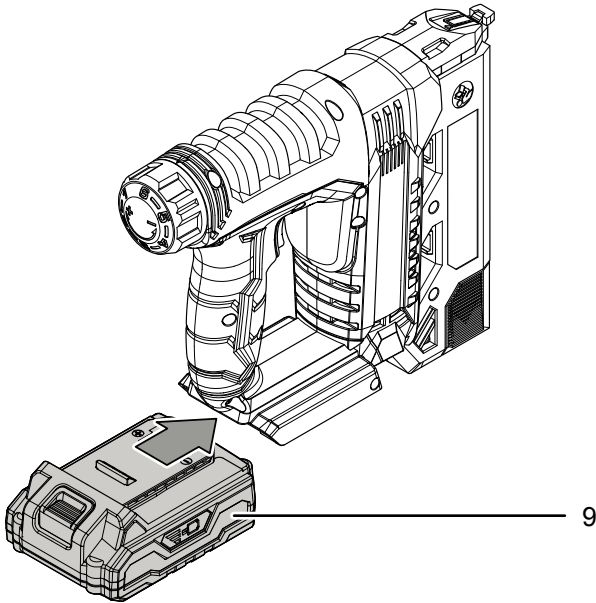
1. Slide the battery (9) onto the quick charger (7) as depicted until the battery locks in place.



2. Insert the mains plug of the quick charger (7) into a properly fused mains socket.
 - ⇒ The red battery LED (8) lights up.
 - ⇒ Charging requires approx. one hour.
3. Wait until the red battery LED (8) goes off and the green battery LED (14) lights up.
 - ⇒ The battery (9) is fully charged.
4. Hold onto the mains plug while pulling the power cable of the quick charger (7) out of the mains socket.
 - ⇒ The battery (9) and the quick charger (7) may have become warm during charging.
 - Allow the battery (9) to cool down to room temperature.
5. Take the battery (9) out of the quick charger (7) by pressing and holding the release button (13) and pulling the battery (9) off the quick charger (7).

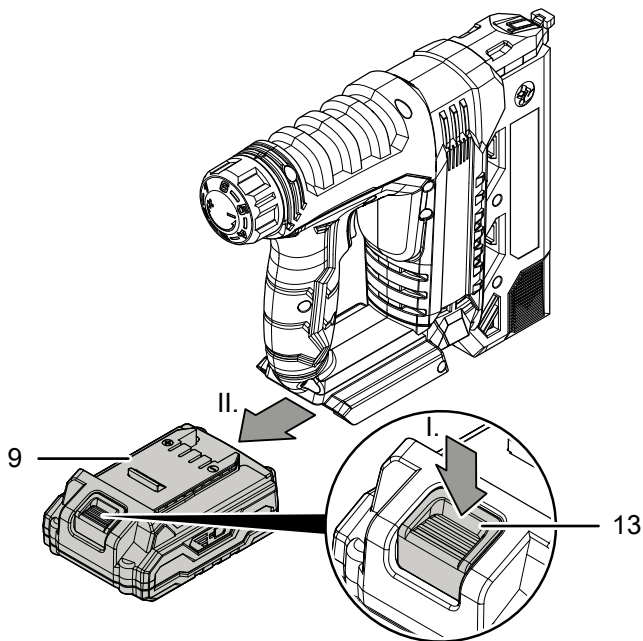
Inserting the battery

1. Slide the battery (9) into the holder (1) until it locks in place.



Removing the battery

1. Detach the battery (9) from the device by pressing and holding the unlocking button (13, I.) and pulling the battery off the device (II.).



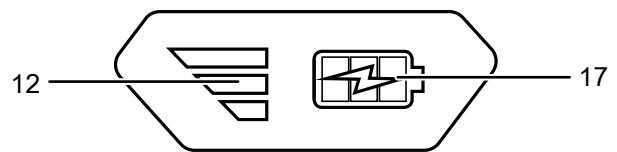
2. If required, charge the battery (9) as described in the section *Charging the battery*.

Checking the battery charging status

The battery comes with an integrated battery level indication. The battery status is displayed as follows by the three LEDs of the battery level indication (12):

LED colour	Meaning
Green – Orange – Red	maximum charge / power
Orange – Red	medium charge / power
Red	weak charge – recharge the battery

1. Press on the battery icon (17) on the battery (9).
 ⇒ You can read the battery status from the battery level indication (12).



Filling the magazine



Warning of electrical voltage

Before any work on the device, remove the mains plug from the mains socket and the battery from the device! Hold onto the mains plug while pulling the power cable out of the mains socket.



Warning

Make sure that the battery has been removed from the device!
 Make sure not to hold the device by the trigger when a staple or wire nail is jammed inside!
 The trigger could be actuated by accident while removing a jammed staple or wire nail.



Wear safety glasses

Wear appropriate eye protection when working with the device.



Info

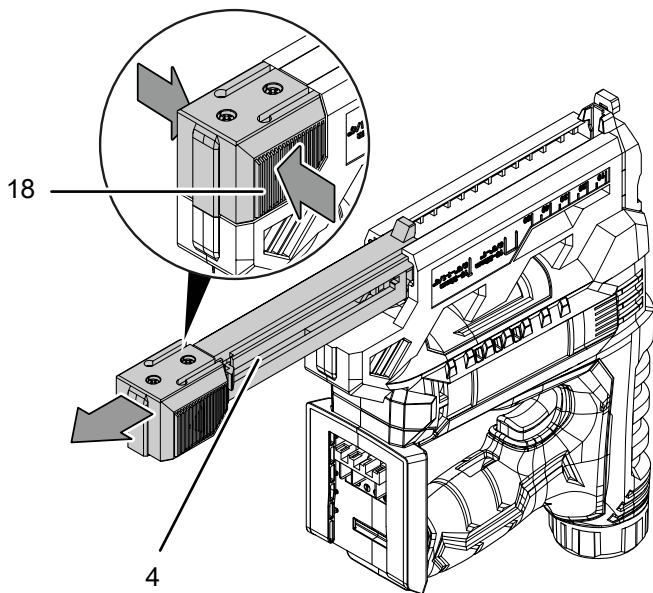
At the magazine filling level indicator you can check whether any staples or wire nails are left in the magazine.



Info

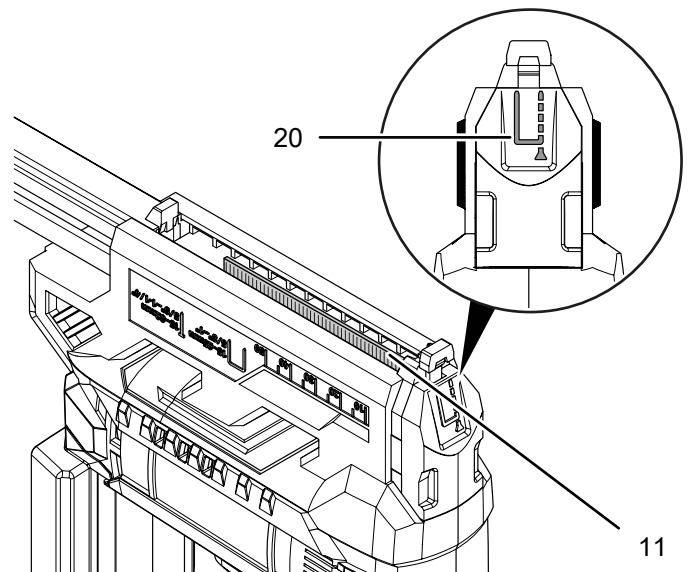
Do not open or close the magazine by force (e.g. for filling).

1. Remove the battery from the device.
2. Turn the bottom of the device up.
3. Squeeze the magazine release (18) together and pull the magazine slider (4) out towards the back.



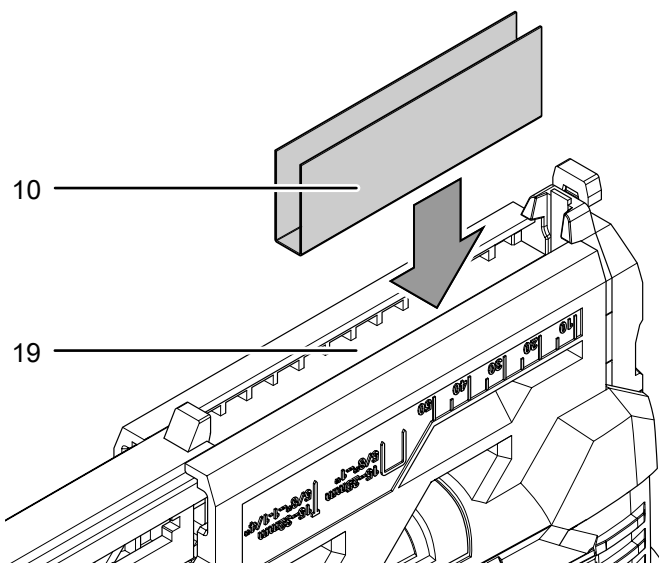
Note

Wire nails must only be inserted into the magazine as depicted in the mark (20).

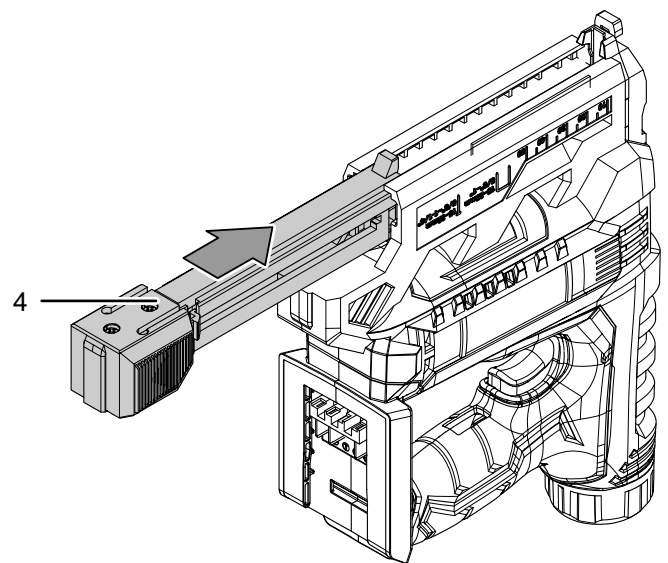


6. Slide the magazine slider (4) back down alongside the magazine (19) until it clicks into place.

4. Insert the staples (10) in the magazine (19) with their tips pointing up.



5. Alternatively, the magazine (19) can also be filled with wire nails (11). Observe the mark (20) on the front side of the device that indicates the correct insertion position for the wire nails. Insert the wire nails in the magazine with their heads pointing downwards.



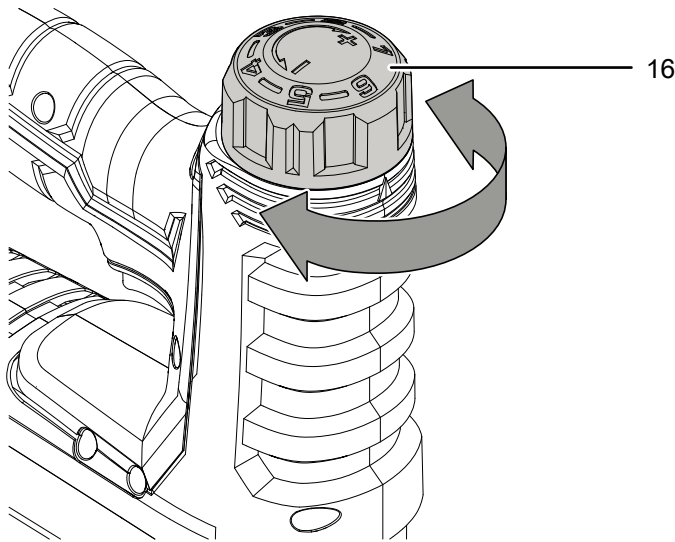
Impact force preselection

The impact force can be adjusted according to the material by using the impact force regulator (16). If the impact force is set too high, there is a risk that the material to be attached will be pierced. If the impact force is set too low, the staples cannot penetrate the material deeply enough and will not be attached properly.

The required impact force depends on the material and can be determined by way of field-testing. To do this, ideally use some excess material residues. Always use the lowest impact force required for entirely injecting the staple.

The setting range is between stages 1 – 6. Stage 1 refers to the lowest impact force, stage 6 to the highest. You can change the impact force which you have preselected at any time.

1. Turn the regulator (16) to the desired stage.



Operation

Tips and notes on handling the tacker



Warning of sharp object

Wire nails and staples are sharp. Risk of injuries if handled without due care!



General information:

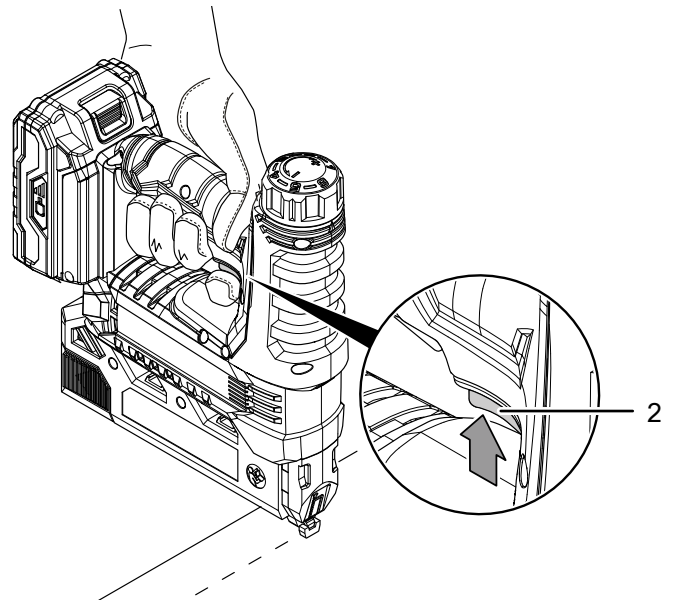
- Always apply the device to the workpiece firmly and at a right angle. Otherwise the staple or wire nail could be diverted sideways.
- Be careful when using the device on soft workpieces. Else the workpiece could be damaged.
- Observe the size of staples and wire nails as specified in the technical data.
- At the magazine filling level indicator you can check whether any staples or wire nails are left in the magazine.

- Always remove the battery from the device when a staple or wire nail is jammed inside! The trigger could be actuated by accident while removing a jammed staple or wire nail.
- The trigger (2) is linked to the movable tacker guide nose (5) and will only trigger if the tacker guide nose is pushed on the workpiece. It makes sure that a shot cannot be released accidentally just by inadvertently pulling the trigger.

Switching the device on and off

Wear your personal protective equipment when working with the device.

1. Put the device down on the respective spot you want to tack.
2. Push the trigger (2).



⇒ The wire nail or staple is injected into the workpiece.

3. Having driven the staple or wire nail in all the way, release the trigger(2) and withdraw the device from the workpiece.

⇒ The device is secured against accidental firing.

Shutdown



Warning of electrical voltage

Do not touch the mains plug with wet or damp hands.

- Switch off the device.
- Hold onto the mains plug while pulling the power cable of the charger out of the mains socket.
- Remove the battery from the device (see Start-up chapter).
- Clean the device according to the Maintenance chapter.
- Store the device according to the Transport and storage chapter.

Available accessories



Warning

Only use accessories and additional equipment specified in the instructions.
Using insertion tools or accessories other than those specified in the instructions may cause a risk of injury.

Designation	Article number
Spare battery Multiflex 20-2.0 DC	6.200.000.303
Spare battery Multiflex 20-4.0 DC	6.200.000.320
PT staple set (U20 type 55/15-20)	6.245.001.108
PT staple set (U25 type 55/25)	6.245.001.109
PT wire nails set (T15 type 47/15)	6.245.001.122

Errors and faults

The device has been checked for proper functioning several times during production. If malfunctions occur nonetheless, check the device according to the following list.

Troubleshooting tasks which require the housing to be opened must only be carried out by an authorized specialist electrical company or by Trotec.

Light smoke or odour is emitted during the first use:

- This is not a fault. These phenomena disappear after a brief runtime.

The battery does not charge:

- Check whether the battery is inserted correctly in the quick charger.

Slide the battery into the quick charger in a way that the battery terminals engage in the quick charger. The battery must lock in place in the quick charger.

- Check the power connection.
- Check the power cable and mains plug for damage.
- Check the on-site fusing.
- Check the quick charger for damage. If the quick charger is damaged, stop using it. Contact the Trotec customer service.
- Check the battery terminals for dirt. Remove any dirt.
- The battery might be defective and have to be replaced. Only use batteries of the same type.

The device does not start:

- The battery power might be too low. Recharge the battery.
- Check whether the battery is correctly connected to the device.

Slide the battery onto the device in a way that the battery terminals engage. The battery must lock in place in the device.

- Check the battery terminals for dirt. Remove any dirt.
- The tacker guide nose is not properly pushed on the workpiece. The trigger (2) is linked to the movable tacker guide nose (5) and will only trigger if the tacker guide nose is pushed on the workpiece.



Info

Wait for at least 10 minutes before switching the device back on.

A wire nail or staple is jammed in the device:**Warning**

Make sure that the battery has been removed from the device!

Make sure not to hold the device by the trigger when a staple or wire nail is jammed inside!

The trigger could be actuated by accident while removing a jammed staple or wire nail.

- Open the magazine release and remove the wire nail or staple.

No staple or wire nail coming out of the device:

- Check whether the wire nails have been inserted according to the mark (20).
- Check the magazine filing level indication (3). If necessary, insert new staples / wire nails into the magazine.

Staple or wire nail does not penetrate deeply enough / hardly penetrates the material:

- Check the impact force regulator (16) and select a lower or higher impact force stage, if required.

The device becomes hot:

- Keep the venting slots clear to prevent the motor from overheating.

**Info**

Wait for at least 10 minutes before switching the device back on.

The device still does not operate correctly after these checks:

Please contact the customer service. If necessary, bring the device to an authorised specialist electrical company or to Trotec for repair.

Maintenance**Activities required before starting maintenance****Warning of electrical voltage**

Do not touch the mains plug or the battery with wet or damp hands.

- Switch the device off.
- Allow the device to cool down completely.
- Remove the battery from the device.

**Warning of electrical voltage**

Maintenance tasks which require the housing to be opened must only be carried out by authorised specialist companies or by Trotec.

Notes on maintenance

Inside the device, there are no parts that need to be maintained or lubricated by the user.

Safety signs on the battery and the charger

Check the safety signs attached to the battery and the charger at regular intervals. Replace illegible safety signs!

Cleaning

The device should be cleaned before and after each use.

Note

The device does not have to be lubricated after cleaning.

**Warning of electrical voltage**

There is a risk of a short-circuit due to liquids penetrating the housing!

Do not immerse the device and the accessories in water. Make sure that no water or other liquids can enter the housing.

- Clean the device with a soft, damp and lint-free cloth. Make sure that no moisture enters the housing. Protect electrical components from moisture. Do not use any aggressive cleaning agents such as cleaning sprays, solvents, alcohol-based or abrasive cleaners to dampen the cloth.
- Dry the device with a soft, lint-free cloth.
- Keep the connecting terminals on the device and charger clean.
- Keep the ventilation openings free from dust deposits to prevent overheating of the motor.

Disposal

Always dispose of packing materials in an environmentally friendly manner and in accordance with the applicable local disposal regulations.



The icon with the crossed-out waste bin on waste electrical or electronic equipment is taken from Directive 2012/19/EU. It states that this device must not be disposed of with the household waste at the end of its life. You will find collection points for free return of waste electrical and electronic equipment in your vicinity. The addresses can be obtained from your municipality or local administration. You can also find out about other return options that apply for many EU countries on the website <https://hub.trotec.com/?id=45090>. Otherwise, please contact an official recycling centre for electronic and electrical equipment authorised for your country.

The separate collection of waste electrical and electronic equipment aims to enable the re-use, recycling and other forms of recovery of waste equipment as well as to prevent negative effects for the environment and human health caused by the disposal of hazardous substances potentially contained in the equipment.



In the European Union, batteries and accumulators must not be treated as domestic waste, but must be disposed of professionally in accordance with Directive 2006/66/EC of the European Parliament and of the Council of 6 September 2006 on batteries and accumulators. Please dispose of batteries and accumulators according to the relevant legal requirements.

Only for United Kingdom

According to Waste Electrical and Electronic Equipment Regulations 2013 (SI 2013/3113) (as amended) and the Waste Batteries and Accumulators Regulations 2009 (SI 2009/890) (as amended), devices that are no longer usable must be collected separately and disposed of in an environmentally friendly manner.

Declaration of conformity

Declaration of conformity in accordance with the EC Machinery Directive 2006/42/EC, Annex II, Part 1, Section A

We – Trotec GmbH – declare in sole responsibility that the product designated below was developed, constructed and produced in compliance with the requirements of the EC Machinery Directive in the version 2006/42/EC.

Product model / Product: PTNS 10-20V
Product type: cordless tacker
Year of manufacture as of: 2022

Relevant EU directives:

- 2011/65/EU
- 2012/19/EU
- 2014/30/EU
- 2015/863/EU

Applied harmonised standards:

- EN 60745-1:2009/A11:2010
- EN 60745-2-16:2010

Applied national standards and technical specifications:

- EN IEC 55014-1:2021
- EN IEC 55014-2:2021

Manufacturer and name of the authorised representative of the technical documentation:

Trotec GmbH
 Grebbener Straße 7, D-52525 Heinsberg
 Phone: +49 2452 962-400
 E-mail: info@trotec.de

Place and date of issue:
 Heinsberg, 07.12.2022



Joachim Ludwig, Managing Director

Trotec GmbH

Grebbener Str. 7
D-52525 Heinsberg

☎ +49 2452 962-400

☎ +49 2452 962-200

✉ info@trotec.com

www.trotec.com