

PRDS 05-230V

EN

ORIGINAL INSTRUCTIONS
ROTARY HAMMER



 TROTEC

Table of contents

Information on the use of this instructions 2

Safety 2

Information about the device 6

Transport and storage 8

Start-up 9

Operation 11

Available accessories 15

Errors and faults 16

Maintenance 17


Disposal 17


Declaration of conformity 18


Information on the use of this instructions

Symbols


 **Warning of electrical voltage**
This symbol indicates dangers to the life and health of persons due to electrical voltage.


 **Warning of hot surface**
This symbol indicates dangers to the life and health of persons due to hot surface.


 **Warning**
This signal word indicates a hazard with an average risk level which, if not avoided, can result in serious injury or death.


 **Caution**
This signal word indicates a hazard with a low risk level which, if not avoided, can result in minor or moderate injury.


Note
This signal word indicates important information (e.g. material damage), but does not indicate hazards.


 **Info**
Information marked with this symbol helps you to carry out your tasks quickly and safely.


 **Follow the manual**
Information marked with this symbol indicates that the instructions must be observed.


 **Wear head protection**
Information marked with this symbol indicates that you should wear protective headgear.


 **Wear hearing protection**
Information marked with this symbol indicates that you should wear hearing protection.

 **Wear safety glasses**
Information marked with this symbol indicates that you should wear eye protection.

 **Wear a protective mask**
Information marked with this symbol indicates that you should wear a protective mask.

 **Wear protective clothing**
Information marked with this symbol indicates that you should wear protective clothing.

 **Wear protective gloves**
Information marked with this symbol indicates that you should wear protective gloves.

 **Wear foot protection**
Information marked with this symbol indicates that you should wear safety boots.

You can download the current version of these instructions via the following link:




PRDS 05-230V



<https://hub.trotec.com/?id=44194>

Safety

General Power Tool Safety Warnings

 **Warning**
Read all safety warnings, instructions, illustrations and specifications provided with this power tool.
Failure to follow all instructions listed below may result in electric shock, fire and/or serious injury.
Save all warnings and instructions for future reference.

The term *power tool* in the warnings refers to your mains-operated (corded) power tool or battery-operated (cordless) power tool.

 **General Power Tool Safety Warnings – Work area safety**

- **Keep work area clean and well lit.** Clutter or dark areas invite accidents.
- **Do not operate power tools in explosive atmosphere, such as in the presence of flammable liquids, gases or dust.** Power tools create sparks which may ignite the dust or fumes.
- **Keep children and bystanders away while operating a power tool.** Distractions can cause you to lose control.

 **General Power Tool Safety Warnings – Electrical safety**

- **Power tool plugs must match the outlet. Never modify the plug in any way. Do not use any adapter plugs with earthed (grounded) power tools.** Unmodified plugs and matching outlets will reduce risk of electric shock.
- **Avoid body contact with earthed or grounded surfaces, such as pipes, radiators, ranges and refrigerators.** There is an increased risk of electric shock if your body is earthed or grounded.
- **Do not expose power tools to rain or wet conditions.** Water entering a power tool will increase the risk of electric shock.
- **Do not abuse the cord. Never use the cord for carrying, pulling or unplugging the power tool. Keep cord away from heat, oil, sharp edges or moving parts.** Damaged or entangled cords increase the risk of electric shock.
- **When operating a power tool outdoors, use an extension cord suitable for outdoor use.** Use of a cord suitable for outdoor use reduces the risk of electric shock.
- **If operating a power tool in a damp location is unavoidable, use a residual current device (RCD) protected supply.** Use of an RCD reduces the risk of electric shock.

 **General Power Tool Safety Warnings – Personal safety**

- **Stay alert, watch what you are doing and use common sense when operating a power tool. Do not use a power tool while you are tired or under the influence of drugs, alcohol or medication.** A moment of inattention while operating power tools may result in serious personal injury.
- **Use personal protective equipment. Always wear eye protection.** Protective equipment such as a dust mask, non-skid safety shoes, hard hat or hearing protection used for appropriate conditions will reduce personal injuries.

- **Prevent unintentional starting. Ensure the switch is in the off-position before connecting to power source and/or battery pack, picking up or carrying the tool.** Carrying power tools with your finger on the switch or energising power tools that have the switch on invites accidents.
- **Remove any adjusting key or wrench before turning the power tool on.** A wrench or a key left attached to a rotating part of the power tool may result in personal injury.
- **Do not overreach. Keep proper footing and balance at all times.** This enables better control of the power tool in unexpected situations.
- **Dress properly. Do not wear loose clothing or jewellery. Keep your hair and clothing away from moving parts.** Loose clothes, jewellery or long hair can be caught in moving parts.
- **If devices are provided for the connection of dust extraction and collection facilities, ensure these are connected and properly used.** Use of dust collection can reduce dust-related hazards.
- **Do not let familiarity gained from frequent use of tools allow you to become complacent and ignore tool safety principles.** A careless action can cause severe injury within a fraction of a second.

 **General Power Tool Safety Warnings – Power tool use and care**

- **Do not force the power tool. Use the correct power tool for your application.** The correct power tool will do the job better and safer at the rate for which it was designed.
- **Do not use the power tool if the switch does not turn it on and off.** Any power tool that cannot be controlled with the switch is dangerous and must be repaired.
- **Disconnect the plug from the power source and/or remove the battery pack, if detachable, from the power tool before making any adjustments, changing accessories, or storing power tools.** Such preventive safety measures reduce the risk of starting the power tool accidentally.
- **Store idle power tools out of the reach of children and do not allow persons unfamiliar with the power tool or these instructions to operate the power tool.** Power tools are dangerous in the hands of untrained users.
- **Maintain power tools and accessories. Check for misalignment or binding of moving parts, breakage of parts and any other condition that may affect the power tool's operation. If damaged, have the power tool repaired before use.** Many accidents are caused by poorly maintained power tools.

- **Keep cutting tools sharp and clean.** Properly maintained cutting tools with sharp cutting edges are less likely to bind and are easier to control.
- **Use the power tool, accessories and tool bits etc. in accordance with these instructions, Take into account the working conditions and the work to be performed.** Use of the power tool for operations different from those intended could result in a hazardous situation.
- **Keep handles and grasping surfaces dry, clean and free from oil and grease.** Slippery handles and grasping surfaces do not allow for safe handling and control of the tool in unexpected situations.



Protect yourself and others present from injuries caused by splintering and flying bits and pieces.



Wear a hard hat, eye protection, a dust mask and safety boots. If necessary, put up partition panels as shield against breaking off debris.



- **Before starting to work, always make sure that the insertion tool is firmly clamped inside the drill chuck.** Insertion tools that are not locked in place could be catapulted out of the power tool upon switch-on and lead to injuries.
- **Before switching on the power tool, ensure that the insertion tool can move freely.** If the device is switched on with a jammed insertion tool, the resulting forces can be extreme causing the device to kick out sideways.
- **Immediately switch off the power tool if the insertion tool blocks.** The power tool can lash out to the side owing to the forces that build up consequently.
- **Regularly check the drill chuck for wear or damage.**
- **Only start a percussive power tool while holding it against a workpiece (wall, ceiling, etc.).**
- **Wait until the power tool has come to a standstill, before putting it down.**



General Power Tool Safety Warnings – Service

- **Have your power tool serviced by a qualified repair person using only identical replacement parts.** This will ensure that the safety of the power tool is maintained.



Device-specific safety warnings for rotary hammers



Wear ear protectors when impact drilling. Exposure to noise can cause hearing loss.

- **Use the additional handle pre-assembled at the device.** Losing control of the power tool may result in personal injury.
- **Hold the power tool by insulated gripping surfaces, when performing an operation where the cutting accessory or fasteners may contact hidden wiring or its own cord.** Cutting accessory contacting a "live" wire may make exposed metal parts of the power tool "live" and could give the operator an electric shock.
- **Use appropriate detection equipment to track down concealed supply lines or consult the local utility companies.** Contact with electrical lines may result in fire and electric shock. Damaging a gas line may lead to an explosion. Penetrating a water line causes property damage and may cause an electric shock.
- **Vibrations can be harmful to the human hand-arm system.** Keep the vibration exposure time to a minimum.
- **During operation hold onto the power tool with both hands.** Make sure that you stand firmly on the ground. It is safer to handle the power tool with two hands.
- **Secure the workpiece.** The grip of tensioning devices or a vice is more secure than holding the workpiece only by hand.



Safety instructions when using long drill bits

- **Never operate at higher speed than the maximum speed rating of the drill bit.** At higher speeds, the bit is likely to bend if allowed to rotate freely without contacting the workpiece, resulting in personal injury.
- **Always start drilling at low speed and with the bit tip in contact with the workpiece.** At higher speeds, the bit is likely to bend if allowed to rotate freely without contacting the workpiece, resulting in personal injury.
- **Apply pressure only in direct line with the bit and do not apply excessive pressure.** Bits can bend causing breakage or loss of control, resulting in personal injury.

Intended use

Only use the device PRDS 05-230V:

- for drilling in rock, wood, metal, ceramic and plastic
- for hammer drilling in brick, concrete and rock
- for chiselling in concrete, rock and plaster

whilst adhering to the technical data.

We recommend using the power tool with original Trotec accessories.

Any use other than the intended use is regarded as misuse.

Reasonably foreseeable misuse

The device is not intended for drilling in natural stone.

Personnel qualification

People who use this device must:

- have read and understood the instructions, especially the Safety chapter.

Personal protective equipment



Wear protective headgear.

With it you protect your head from splintering, falling and flying pieces which could cause injuries.



Wear hearing protection.

Excessive noise can lead to hearing loss.



Wear eye protection.

With it you protect your eyes from splintering, falling and flying pieces which could cause injuries.



Wear a protective mask.

It saves you from inhaling harmful dusts generated when processing workpieces.



Wear protective gloves.

They protect your hands from burns, crushing injuries and skin abrasions.



Wear tight-fitting protective clothing.

This protects you from the draw-in and entanglement hazard posed by rotating parts.



Wear safety boots.

They protect your feet from splintering, falling and flying pieces which could cause injuries.

Residual risks



Warning of electrical voltage

Electric shock due to insufficient insulation!

Check the device for damages and proper functioning before each use.

If you detect damages, do not use the device any longer.

Do not use the device when either the device or your hands are damp or wet!



Warning of electrical voltage

Work on the electrical components must only be carried out by an authorised specialist company!



Warning of electrical voltage

Before any work on the device, remove the mains plug from the mains socket!

Do not touch the mains plug with wet or damp hands. Hold onto the mains plug while pulling the power cable out of the mains socket.



Warning of electrical voltage

There is a risk of a short-circuit due to liquids penetrating the housing!

Do not immerse the device and the accessories in water. Make sure that no water or other liquids can enter the housing.



Warning

Toxic dusts!



The harmful / toxic dusts produced during operation pose of risk to the health of the operator and persons in the vicinity.



Wear eye protection and a dust mask!



Warning

Do not process materials containing asbestos. Asbestos is considered carcinogenic.



Warning

Make sure not to hit power, gas or water lines when working with a power tool.

If necessary, use a pipe detector to check the wall you want to drill in or slit open.



Warning

Dangers can occur at the device when it is used by untrained people in an unprofessional or improper way! Observe the personnel qualifications!



Warning

The device is not a toy and does not belong in the hands of children.

**Warning**

Risk of suffocation!

Do not leave the packaging lying around. Children may use it as a dangerous toy.

**Warning**

The tool holder must be firmly locked in place before switching the device on, for an insufficiently or incorrectly clamped accessory could be catapulted out of the tool holder uncontrollably upon switch-on.

**Caution**

Vibration emissions can cause a health hazard if the device is used for an extended period of time or if it is not properly handled and maintained.

**Caution**

Keep a sufficient distance from heat sources.

Note

If you store or transport the device improperly, the device may be damaged.

Note the information regarding transport and storage of the device.

Note

Only change the rotational direction when the device is at a standstill! Otherwise the device might be damaged.

Behaviour in the event of an emergency / emergency stop function

Emergency stop:

Removing the mains plug from the mains socket results in the function of the device immediately stopping. In order to secure the device against accidental switch-on, leave the mains plug disconnected.

Behaviour in the event of an emergency:

1. Switch the device off.
2. In an emergency, disconnect the device from the mains feed-in: Hold onto the mains plug while pulling the power cable out of the mains socket.
3. Do not reconnect a defective device to the mains.

Information about the device**Device description**

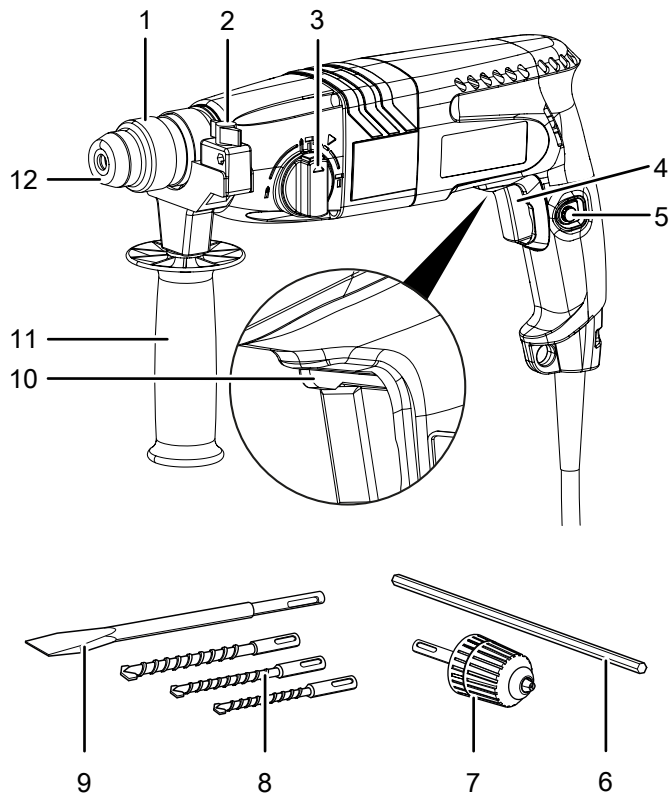
The rotary hammer PRDS 05-230V comes equipped with a pneumatic hammer mechanism for high impact power and is ideally suited for continuous high-performance operations.

The infinitely variable impact rate and speed control allows you to optimally adjust the exertion of force to every application and material. A function selector switch with safety lock permits the safe switch-over between the functions drilling, impact drilling or chiselling as well as the change of the chisel position by up to 360°.

The SDS-plus system tool holder makes it possible to exchange the insertion tools easily and without the need for further tools. Standard drilling accessories can also be used with an optionally installable keyless drill chuck.

The additional handle ensures more stability and safety during the drilling and chiselling operation.

Device depiction



No.	Designation
1	SDS-plus system tool holder
2	Fastening screw depth stop
3	Function selector switch with release button
4	On/off switch
5	Locking switch for continuous operation
6	Depth stop
7	Keyless drill chuck with SDS-plus shank
8	SDS drill bit
9	SDS flat chisel
10	Clockwise/counter-clockwise rotation switch
11	Additional handle
12	Dust protection cap

Scope of delivery

- 1 x Device PRDS 05-230V
- 1 x Transport case
- 1 x Additional handle
- 1 x Keyless drill chuck with SDS-plus shank
- 1 x SDS flat chisel (14 x 250 mm)
- 3 x SDS drill bits (6/8/10 x 150 mm)
- 1 x Depth stop
- 1 x Manual

Technical data

Parameter	Value
Model	PRDS 05-230V
Mains connection	1/N/PE ~ 230 V / 50 Hz
Power consumption	620 W
Idle speed	0 – 1250 / min
Impact frequency	0 – 6400 / min
Impact energy	2.1 J
Chucking range	max. 13 mm
Max. drilling diameter	
Wood	30 mm
Metal	13 mm
Concrete	24 mm
Weight	3 kg
Protection class	II (double insulation) /
Sound values according to EN 62841	
<i>Hammer drilling</i>	
Sound pressure level L_{pA}	84.94 dB(A)
Sound power level L_{WA}	95.94 dB(A)
Uncertainty K	3 dB(A)
<i>Chiselling</i>	
Sound pressure level L_{pA}	91.26 dB(A)
Sound power level L_{WA}	102.26 dB(A)
Uncertainty K	3 dB(A)
Vibration information according to EN 62841	
Vibration emission value impact drilling in brickwork a_h Main handle	12.875 m/s ²
Vibration emission value impact drilling in brickwork a_h Additional handle	11.953 m/s ²
Uncertainty K	1.5 m/s ²

**Wear hearing protection.**

Excessive noise can lead to hearing loss.

Information on noise and vibration:

- The specified total vibration **and noise emission values** were measured by means of a test procedure standardized in EN 62841 and can be consulted for the comparison of one power tool with another.
- The specified total vibration **and noise emission values** can also be used for preliminary load assessment.

**Caution**

Vibration emissions can cause a health hazard if the device is used for an extended period of time or if it is not properly handled and maintained.

- The actual vibration **and noise emission** may differ from the stated values during operation of the power tool. This depends on how the power tool is used and especially on the type of workpiece being processed. Try to keep the vibration load to a minimum. Exemplary measures for reducing the vibration load include wearing gloves during operation of the tool and the limitation of working hours. All parts of an operating cycle must be considered for this (e.g. times at which the power tool is switched off and times when it is switched on but runs without load).

Transport and storage**Note**

If you store or transport the device improperly, the device may be damaged.

Note the information regarding transport and storage of the device.

Transport

For transporting the device, use the transport case included in the scope of delivery in order to protect the device from external influences.

Before transporting the device, observe the following:

- Switch off the device.
- Hold onto the mains plug while pulling the power cable out of the mains socket.
- Allow the device to cool down.
- Remove the tool from the tool holder.

Storage

Before storing the device, observe the following:

- Switch off the device.
- Hold onto the mains plug while pulling the power cable out of the mains socket.
- Allow the device to cool down.
- Remove the tool from the tool holder.
- Clean the device as described in the Maintenance chapter.
- For storing the device, use the transport case included in the scope of delivery in order to protect the device from external influences.

When the device is not being used, observe the following storage conditions:

- Dry and protected from frost and heat
- Ambient temperature below 45 °C
- Protected from dust and direct sunlight inside the transport case

Start-up

Unpacking the device

- Take the transport case out of the packaging.



Warning of electrical voltage

Electric shock due to insufficient insulation!
Check the device for damages and proper functioning before each use.

If you detect damages, do not use the device any longer.

Do not use the device when either the device or your hands are damp or wet!

- Check the contents of the transport case for completeness and look for damages.



Warning

Risk of suffocation!

Do not leave the packaging lying around. Children may use it as a dangerous toy.

- Dispose of the packaging material according to the national regulations.

Tool change

The device comes equipped with an SDS-plus system tool holder.



Warning of electrical voltage

Before any work on the device, remove the mains plug from the mains socket!

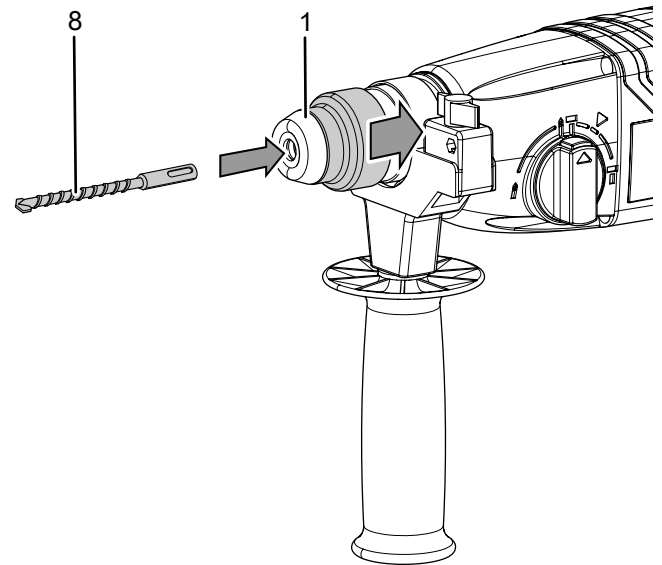
Do not touch the mains plug with wet or damp hands.

Hold onto the mains plug while pulling the power cable out of the mains socket.

Please proceed as follows to remove or insert tools:

1. Push the SDS-plus system tool holder (1) to the rear, remove the tool from the tool holder (if any) and let go of the tool holder.

2. Insert the desired tool (e.g. SDS drill bit, 8) into the SDS-plus system tool holder (1) and, if necessary, slightly turn it until it clicks into place.



3. Check the tool for tight fit.

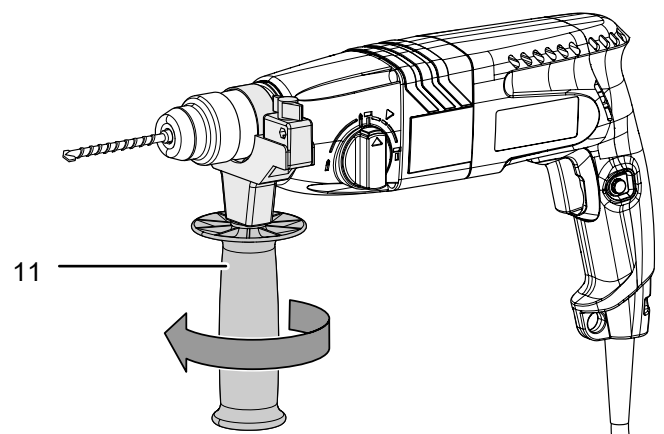
Adjusting the position of the additional handle

The additional handle is already preassembled. Do not use the device without the additional handle.

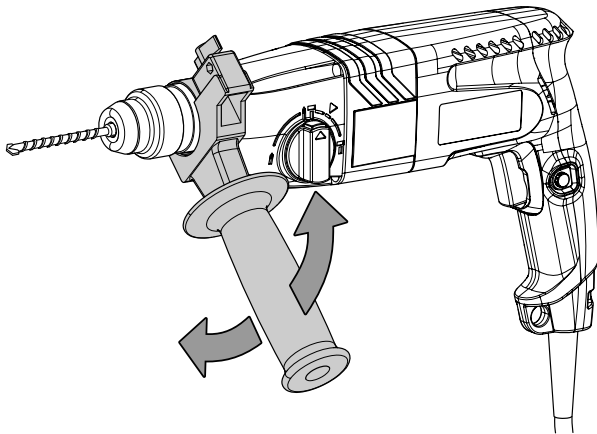
The position of the additional handle may be adjusted by 360° as required.

Please proceed as follows to adjust the position of the additional handle:

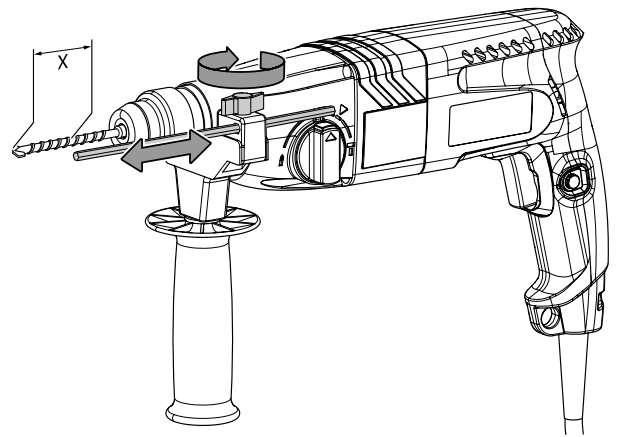
1. Loosen the additional handle (11).
⇒ The tensioner at the additional handle releases.



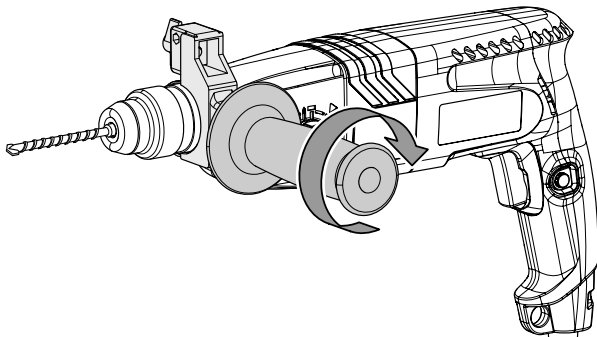
2. Turn the additional handle (11) into the desired position.



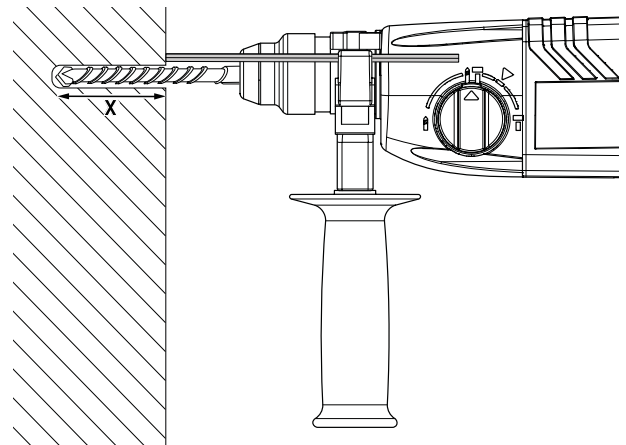
4. Retighten the screw.



3. Retighten the additional handle (11).



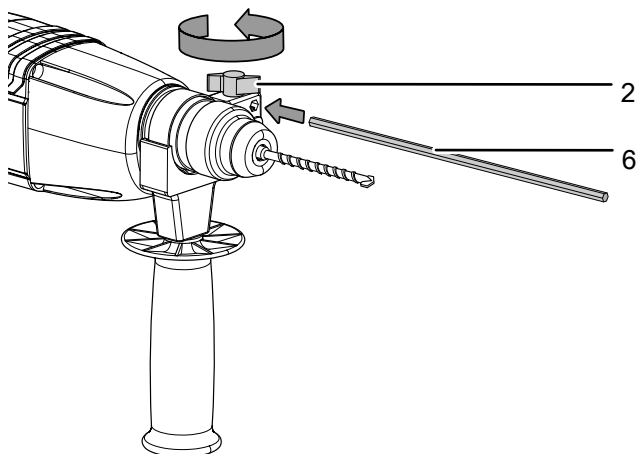
4. Check the additional handle (11) for tight fit. If necessary, tighten the additional handle further.



Inserting and using the depth stop (optional)

With the depth stop you can determine the penetration depth of the drill bits.

1. Loosen the fastening screw (2) at the mount.
2. Insert the depth stop (6).



3. Adjust the depth stop (6) to the desired length.

Using the keyless drill chuck (optional)



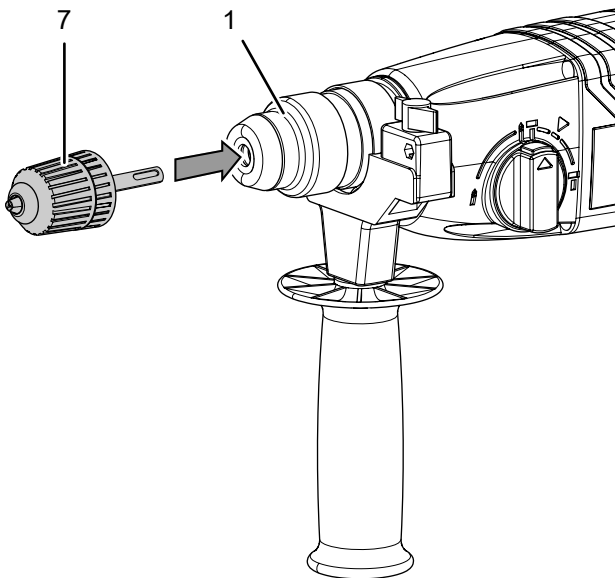
Warning of electrical voltage

Before any work on the device, remove the mains plug from the mains socket!

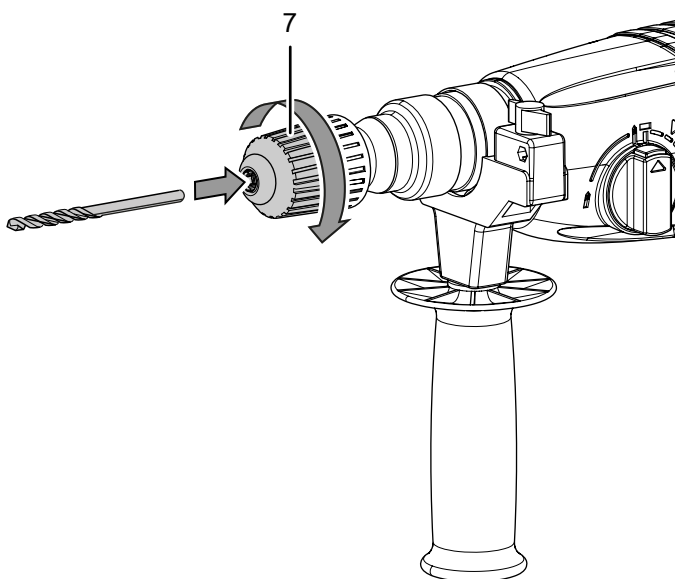
Do not touch the mains plug with wet or damp hands.

Hold onto the mains plug while pulling the power cable out of the mains socket.

1. Insert the keyless drill chuck (7) into the SDS-plus system tool holder (1) and, if necessary, slightly turn it until it clicks into place.



2. Open the keyless drill chuck (7).
3. Insert the tool into the keyless drill chuck (7).
4. Tighten the keyless drill chuck (7).



5. Check the keyless drill chuck (7) and the inserted tool for tight fit.



Info

Only use the optional keyless drill chuck in drilling mode!

The function selector switch with release button (3) must be set to position .

Connecting the power cable

1. Insert the mains plug into a properly secured mains socket.

Operation

Tips and notes on handling the rotary hammer

Drilling in general:

- Take short breaks regularly during drilling. When doing so, take the drill bit out of the drill hole so that the drill bit can cool down.
- Secure the workpiece in a tensioning device or vice.
- Select the speed depending on the material characteristics and the size of the drill bit:
 - High speed for small drilling diameter or soft material
 - Low speed for large drilling diameter or hard material
- Use a suitable aid to mark the intended location of the drill hole.
- Select a low speed for spudding.

Drilling in metal:

- Use suitable metal drill bits (e.g. drill bits made of *high-speed steel* (HSS)).
- For larger drilling diameters, use a smaller drill bit for pre-drilling.
- To achieve ideal results, the drill bit should be cooled with a suitable lubricant.
- Metal drill bits may also be used for drilling in plastic.

Drilling in wood:

- Use drill bits suitable for wood.
- Place a block of wood under the workpiece or drill in from both sides so that the wood cannot break off when it is being drilled through.
- Use a wood drill bit with centring tip. For deep drill holes, use an auger bit; for large drilling diameters, use a Forstner bit.

Impact drilling in masonry / bricks:

- Use a drill bit suitable for masonry / bricks.

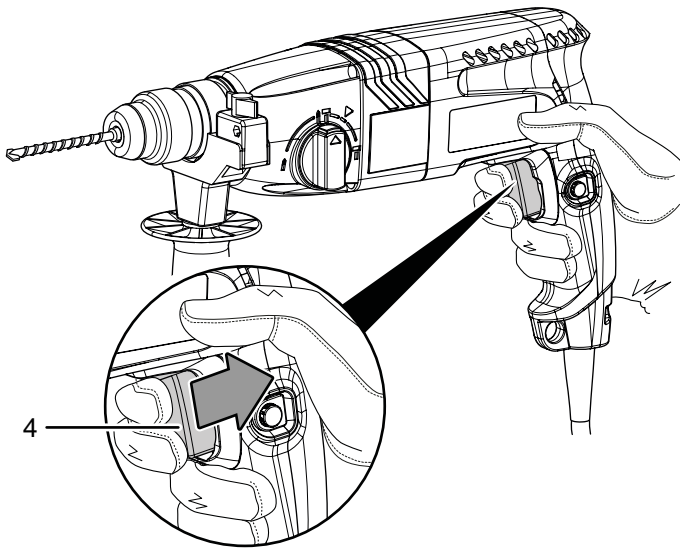
Chiselling in general:

- Use a suitable chisel.

Switching the device on and off

Wear your personal protective equipment when working with the device.

1. Check whether the fixed tool is suitable for the intended application.
2. Check whether the workpiece is secured and the worktop prepared correspondingly.
3. If you work with activated impact mechanism, press the tool against the workpiece.
4. Hold onto the device with both hands.
5. Press the on/off switch (4) and hold it during operation. You can control the speed by pressing the on/off switch (4): press lightly for a low speed; press firmly for a high speed.
 - ⇒ The device operates with the previously selected settings.

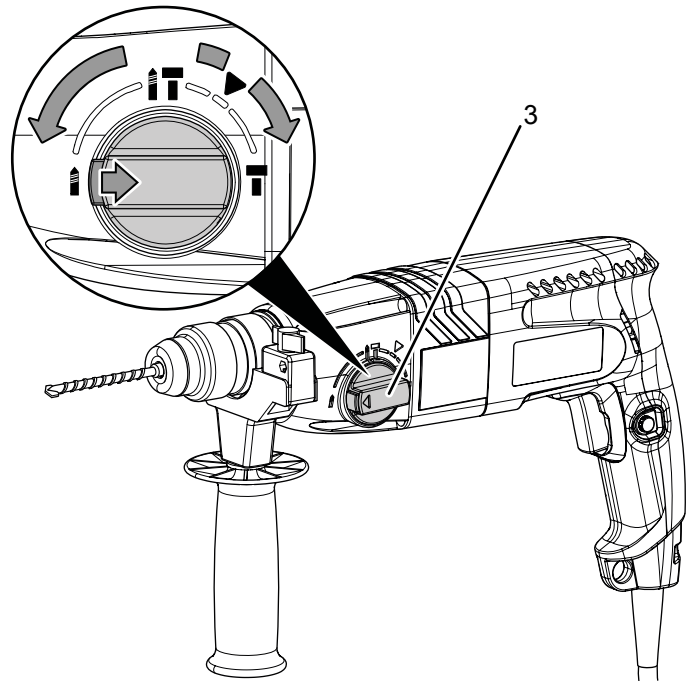


6. Let go of the on/off switch (4) to stop the device.
7. Wait until the device has stopped before putting it away.

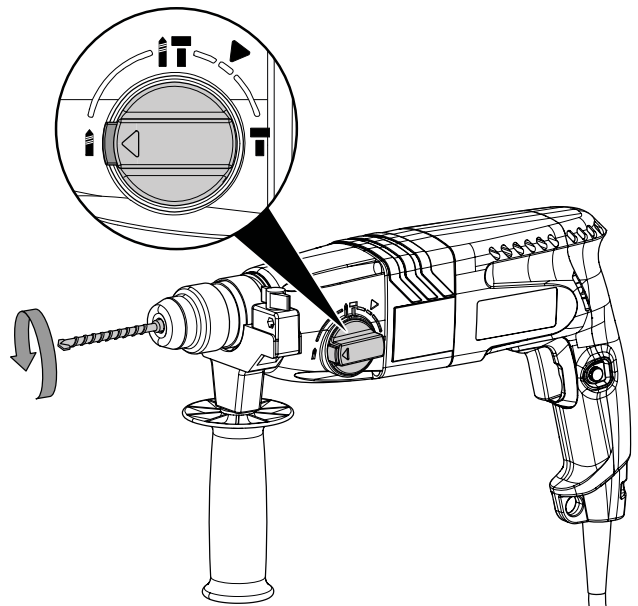
Selecting the operating mode

The function selector switch (3) is used to select drilling, hammer drilling or chiselling or to adjust the chisel position by up to 360°.

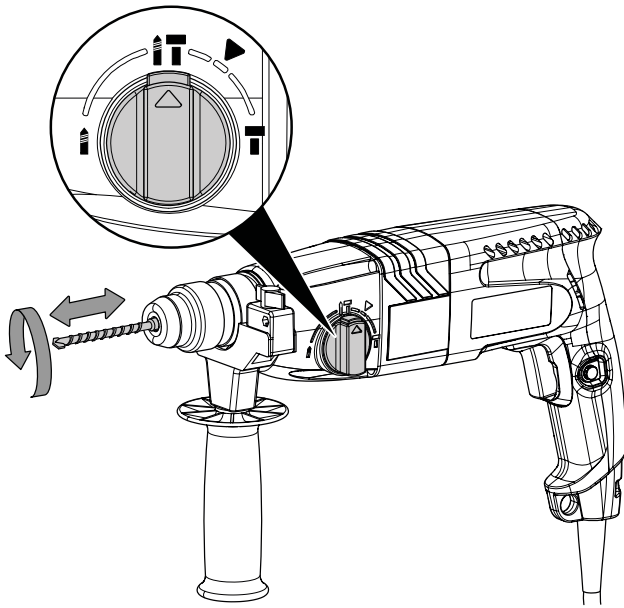
1. Set the function selector switch (3) to the desired position. The function selector switch comes with a release button that has to be pushed in first, before you can change the switch position.



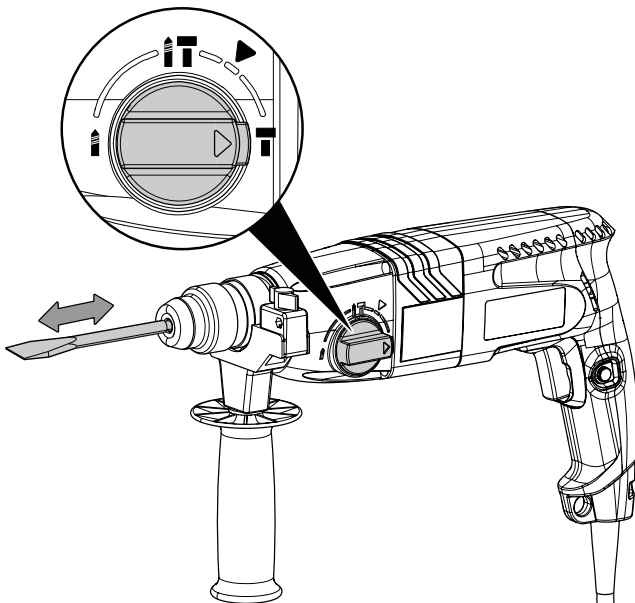
⇒ **Operating mode: Drilling**



⇒ **Operating mode: Hammer drilling**



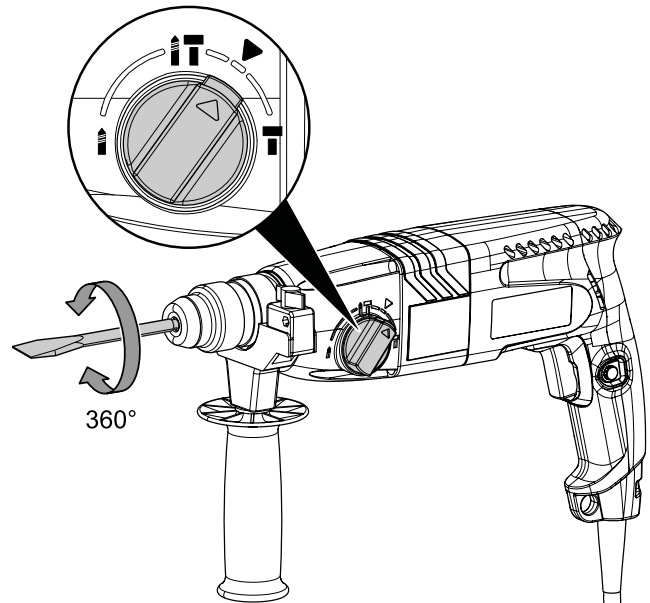
⇒ **Operating mode: Chiselling**



Function: Changing the position of the chisel

If you want to adjust the tool's position before or during the chiselling operation, please proceed as follows:

1. Stop the tool by letting go of the on/off switch (4).
2. Turn the function selector switch (3) to the ▼ position.
3. Turn the tool manually into the desired position.



4. Turn the function selector switch (3) back to the **T** position to continue working.

Switching continuous operation on and off

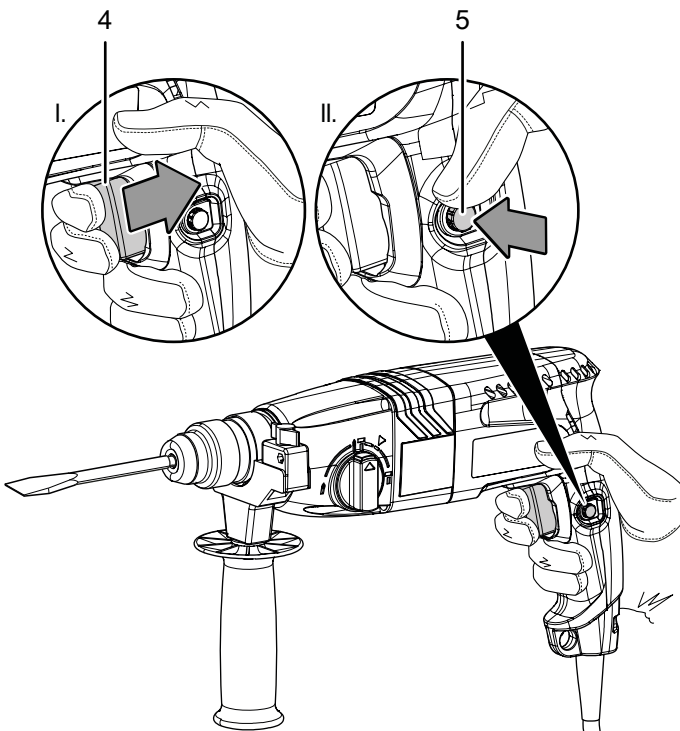


Info

Permanent mode is only available in clockwise rotation and is ideally suited for longer working processes in chiselling operating mode.

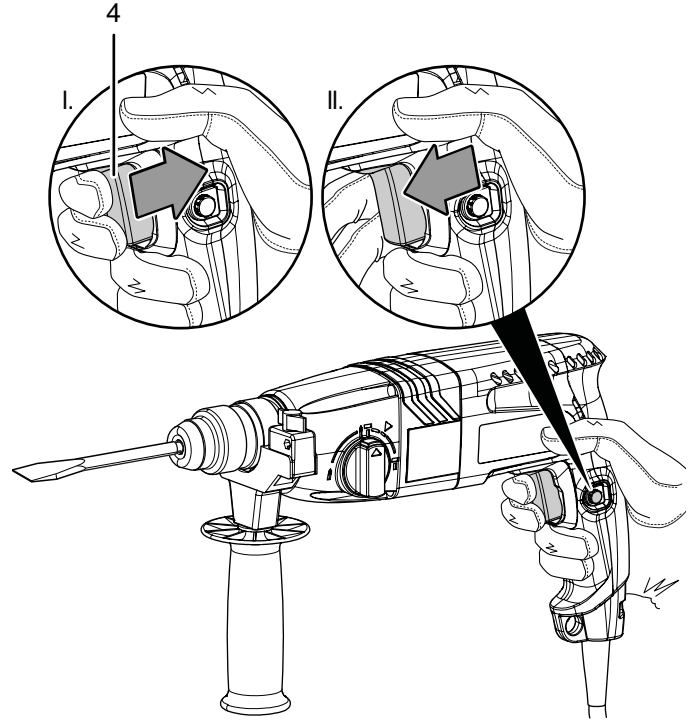
During activated continuous operation you do not have to hold onto the on/off switch (4) the entire time. This makes working more comfortable.

1. Check whether the correct rotational direction is selected.
 - ⇒ For permanent mode, the switch for clockwise / counter-clockwise rotation (10) must be set to clockwise rotation.
2. Proceed as described in the chapter Switching the device on and off, steps 1 to 5.
3. Press the button for continuous operation (5) with your thumb until it locks in place completely.



4. Let go of the on/off switch (4) and continue holding the device.
 - ⇒ The on/off switch is locked in place.
 - ⇒ The device keeps running and continuous operation is activated.

5. Press the on/off switch (4) again to deactivate continuous operation.
 - ⇒ The speed increases briefly.
 - ⇒ The button for continuous operation (5) automatically returns back into its initial position.



6. Let go of the on/off switch (4) to stop the device.

Selecting the rotational direction

Note

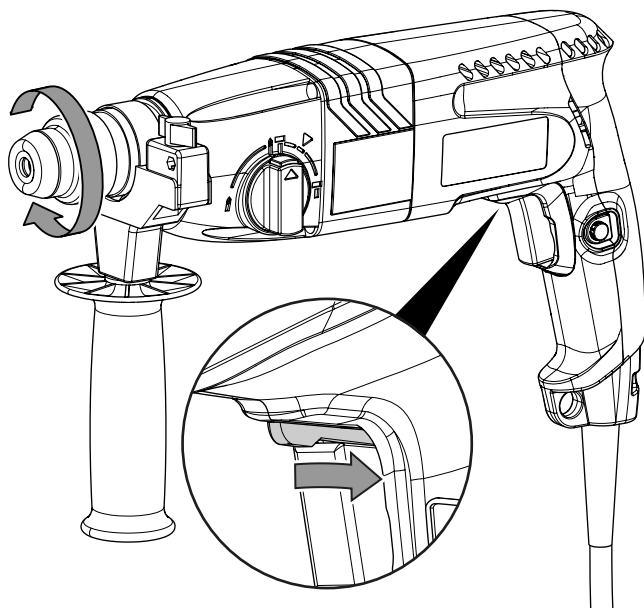
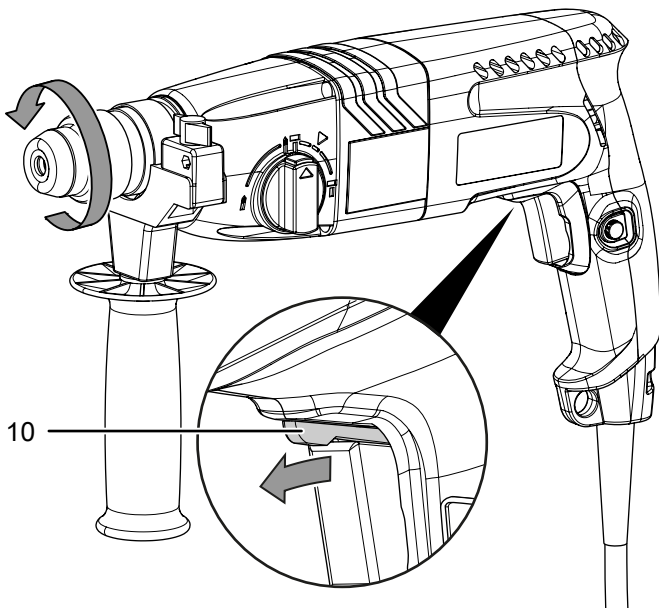
Only change the rotational direction when the device is at a standstill! Otherwise the device might be damaged.

Note

Use clockwise rotation for drilling, hammer drilling and chiselling mode.
Use counter-clockwise rotation e.g. for loosening stuck drill bits.

The motor's rotational direction can be changed by means of the switch for clockwise / counter-clockwise rotation (10). Please proceed as follows to select a rotational direction:

1. Press the switch for clockwise / counter-clockwise rotation (10) into the direction into which the motor shall rotate.



Shutdown



Warning of electrical voltage

Do not touch the mains plug with wet or damp hands.

- Switch off the device.
- Hold onto the mains plug while pulling the power cable out of the mains socket.
- If required, allow the device to cool down.
- Remove the tool from the device (see Start-up chapter).
- Clean the device according to the Maintenance chapter.
- Store the device according to the Transport and storage chapter.

Available accessories



Warning

Only use accessories and additional equipment specified in the instructions.

Using insertion tools or accessories other than those specified in the instructions may cause a risk of injury.

Accessories	Article number
11-piece SDS drill bit and chisel set	6.205.001.101

2. Carry out a short test run to see whether the rotational direction matches the intended application. A wrong rotational direction may damage the tool and / or workpiece.

Errors and faults

The device has been checked for proper functioning several times during production. If malfunctions occur nonetheless, check the device according to the following list.

Troubleshooting tasks which require the housing to be opened must only be carried out by an authorized specialist electrical company or by Trotec.

Light smoke or odour is emitted during the first use:

- This is not a fault. These phenomena disappear after a brief runtime.

The device does not start:

- Check the power connection.
- Check the power cable and mains plug for damage. If you notice damages, do not try to take the device back into operation.

If the supply cord is damaged, it must be replaced by the manufacturer, its service agent or similarly qualified persons in order to avoid a hazard.





- Check whether the clockwise / counter-clockwise rotation switch (10) is in centre position. Select a rotational direction that is suitable for the intended application.
- Check the on-site fusing.



Info

Wait for at least 10 minutes before switching the device back on.

The drill bit does not penetrate / hardly penetrates the material:

- The setting for drilling  or impact drilling   should be selected.
- Check whether the correct drill bit is selected.
- Check whether the function selector switch (3) is set to position . This position is only suitable for chiselling.
- Check whether the device is set to counter-clockwise rotation. For drilling, it is necessary to switch over to clockwise rotation.

The chisel does not penetrate / hardly penetrates the material:

- Check whether you have been working using the correct speed. A higher speed level may be required in harder material.
- Check whether the correct tool is selected.
- Check the position of the clockwise / counter-clockwise rotation switch (10). The switch must be set to clockwise rotation.



Info

Wait for at least 10 minutes before switching the device back on.

The device becomes hot:

- Check whether the tool is suitable for the tasks to be carried out.
- Keep the venting slots clear to prevent the motor from overheating.
- Select a lower speed.



Info

Wait for at least 10 minutes before switching the device back on.

Note

Wait for at least 3 minutes after maintenance and repair work. Only then switch the device back on.

The device still does not operate correctly after these checks:

Please contact the customer service. If necessary, bring the device to an authorised specialist electrical company or to Trotec for repair.

Maintenance

Activities required before starting maintenance



Warning of electrical voltage

Do not touch the mains plug with wet or damp hands.

- Switch off the device.
- Hold onto the mains plug while pulling the power cable out of the mains socket.
- Allow the device to cool down completely.



Warning of electrical voltage

Maintenance tasks which require the housing to be opened must only be carried out by authorised specialist companies or by Trotec.

Notes on maintenance

- Slightly grease the tool holder with machine lubricant.

Cleaning

The device should be cleaned before and after each use.



Warning of electrical voltage

There is a risk of a short-circuit due to liquids penetrating the housing!

Do not immerse the device and the accessories in water. Make sure that no water or other liquids can enter the housing.

- Clean the device with a soft, damp and lint-free cloth. Make sure that no moisture enters the housing. Protect electrical components from moisture. Do not use any aggressive cleaning agents such as cleaning sprays, solvents, alcohol-based or abrasive cleaners to dampen the cloth.
- Dry the device with a soft, lint-free cloth.
- Remove any drilling dust and, if applicable, wood chips from the keyless drill chuck.
- Remove any drilling dust and, if applicable, wood chips from the SDS-plus tool holder.
- Keep the ventilation openings free from dust deposits to prevent overheating of the motor.
- Slightly grease the tool holder with machine lubricant before inserting another tool.

Disposal

Always dispose of packing materials in an environmentally friendly manner and in accordance with the applicable local disposal regulations.



The icon with the crossed-out waste bin on waste electrical or electronic equipment is taken from Directive 2012/19/EU. It states that this device must not be disposed of with the household waste at the end of its life. You will find collection points for free return of waste electrical and electronic equipment in your vicinity. The addresses can be obtained from your municipality or local administration. You can also find out about other return options that apply for many EU countries on the website <https://hub.trotec.com/?id=45090>. Otherwise, please contact an official recycling centre for electronic and electrical equipment authorised for your country.

The separate collection of waste electrical and electronic equipment aims to enable the re-use, recycling and other forms of recovery of waste equipment as well as to prevent negative effects for the environment and human health caused by the disposal of hazardous substances potentially contained in the equipment.

Only for United Kingdom

According to Waste Electrical and Electronic Equipment Regulations 2013 (SI 2013/3113) (as amended) and the Waste Batteries and Accumulators Regulations 2009 (SI 2009/890) (as amended), devices that are no longer usable must be collected separately and disposed of in an environmentally friendly manner.

Declaration of conformity

Declaration of conformity in accordance with the EC Machinery Directive 2006/42/EC, Annex II, Part 1, Section A

We – Trotec GmbH – declare in sole responsibility that the product designated below was developed, constructed and produced in compliance with the requirements of the EC Machinery Directive in the version 2006/42/EC.

Product model / Product: PRDS 05-230V

Product type: rotary hammer

Year of manufacture as of: 2023

Relevant EU directives:

- 2011/65/EU
- 2012/19/EU
- 2014/30/EU
- 2015/863/EU

Applied harmonised standards:

- EN 62841-1:2015
- EN IEC 62841-2-6:2020
- EN IEC 62841-2-6:2020/A11:2020

Applied national standards and technical specifications:

- EN IEC 55014-1:2021
- EN IEC 55014-2:2021
- EN IEC 61000-3-2:2019
- EN IEC 61000-3-2:2019/A1:2021
- EN 61000-3-3:2013/A1:2019
- EN 61000-3-3:2013/A2:2021

Manufacturer and name of the authorised representative of the technical documentation:

Trotec GmbH

Grebener Straße 7, D-52525 Heinsberg

Phone: +49 2452 962-400

E-mail: info@trotec.de

Place and date of issue:

Heinsberg, 02.10.2023



Joachim Ludwig, Managing Director

Trotec GmbH

Grebener Str. 7
D-52525 Heinsberg

☎ +49 2452 962-400

☎ +49 2452 962-200

✉ info@trotec.com

www.trotec.com