

TVE 31 T / TVE 32 T

EN

ORIGINAL INSTRUCTIONS
TOWER FAN

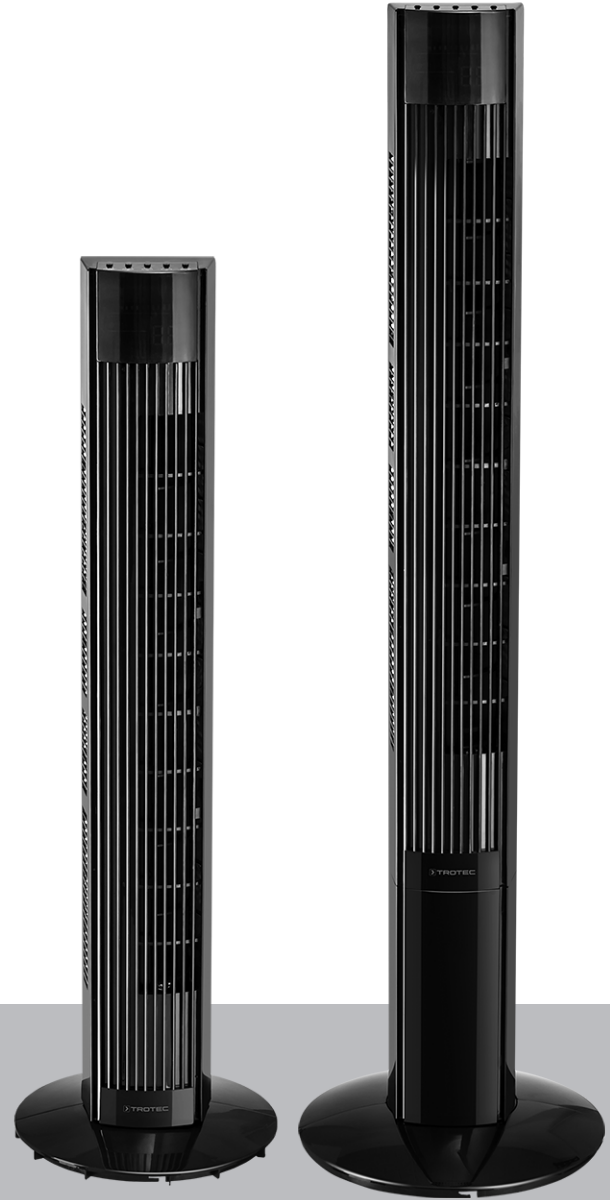


Table of contents

Notes regarding the instructions 2

Safety 2

Information about the device..... 4

Transport and storage..... 5

Assembly and start-up 5

Operation 7

Errors and faults..... 9

Maintenance 10

Technical annex..... 10

Disposal 11

You can download the current version of the instructions and the EU declaration of conformity via the following link:



TVE 31 T



<https://hub.trotec.com/?id=43249>

TVE 32 T



<https://hub.trotec.com/?id=43250>

Notes regarding the instructions

Symbols



Warning of electrical voltage

This symbol indicates dangers to the life and health of persons due to electrical voltage.



Warning

This signal word indicates a hazard with an average risk level which, if not avoided, can result in serious injury or death.



Caution

This signal word indicates a hazard with a low risk level which, if not avoided, can result in minor or moderate injury.

Note

This signal word indicates important information (e.g. material damage), but does not indicate hazards.



Info

Information marked with this symbol helps you to carry out your tasks quickly and safely.



Follow the manual

Information marked with this symbol indicates that the instructions must be observed.

Safety

Read this manual carefully before starting or using the device. Always store the manual in the immediate vicinity of the device or its site of use.



Warning

Read all safety warnings and all instructions.

Failure to follow the warnings and instructions may result in electric shock, fire and/or serious injury.

Save all warnings and instructions for future reference.

This appliance can be used by children aged from 8 years and above and persons with reduced physical, sensory or mental capabilities or lack of experience and knowledge if they have been given supervision or instruction concerning use of the appliance in a safe way and understand the hazards involved.

Children shall not play with the appliance. Cleaning and user maintenance shall not be made by children without supervision.

- Do not use the device in potentially explosive rooms or areas and do not install it there.
- Do not use the device in aggressive atmosphere.
- Only put up the device in an upright, stable position on firm ground.
- Let the device dry out after a wet clean. Do not operate it when wet.
- Do not use the device with wet or damp hands.
- Do not expose the device to directly squirting water.

- Never insert any objects or limbs into the device.
- Do not cover the device during operation.
- Do not sit on the device.
- This appliance is not a toy. Keep away from children and animals.
- Check accessories and connection parts for possible damage prior to every use of the device. Do not use any defective devices or device parts.
- Ensure that all electric cables outside of the device are protected from damage (e.g. caused by animals). Never use the device if electric cables or the power connection are damaged!
- The mains connection must correspond to the specifications in the Technical annex.
- Insert the mains plug into a properly fused mains socket.
- Observe the technical data when selecting extensions to the power cable. Completely unroll the extension cable. Avoid electrical overload.
- Before carrying out maintenance, care or repair work on the device, remove the mains plug from the mains socket. Hold onto the mains plug while doing so.
- Switch the device off and disconnect the power cable from the mains socket when the device is not in use.
- Do not under any circumstances use the device if you detect damages on the mains plug or power cable. If the power cable is damaged, it must be replaced by the manufacturer, its service agent or similarly qualified persons in order to avoid a hazard. Defective power cables pose a serious health risk!
- When positioning the device, observe the minimum distances from walls and other objects as well as the storage and operating conditions specified in the Technical annex.
- Make sure that the air inlet and outlet are not obstructed.
- Make sure that there are no loose items or dirt located in the immediate surroundings of air inlet and air outlet.
- When unmounted, the device should be neither operated nor connected to the mains.
- Improper installation can lead to a fire, electric shock or severe personal injury.
- The device is provided with an overheating protection which is activated by overheating of the device (when exceeding the operating temperature). In such an event the device switches off automatically.
- Use the CR 2025 button battery type.
- Do not insert rechargeable batteries into the remote control.
- Never charge batteries that cannot be recharged.
- Different types of batteries and new and used batteries must not be used together.
- Insert the batteries into the battery compartment according to the correct polarity.
- Remove discharged batteries from the device. Batteries contain materials hazardous to the environment. Dispose of the batteries according to the national regulations.
- Remove the batteries from the remote control if you will not be using the device for a longer period of time.
- Never short-circuit the supply terminal in the battery compartment!
- Do not swallow batteries! If a battery is swallowed, it can cause severe internal burns within 2 hours! These burns can lead to death!
- If you think batteries might have been swallowed or otherwise entered the body, seek medical attention immediately!
- Keep new and used batteries and an open battery compartment away from children.
- If the battery compartment does not close securely, stop using the product via the remote control.

Intended use

Only use the device TVE 31 T / TVE 32 T as tower fan for the ventilation of interior spaces whilst adhering to the technical data.

Foreseeable misuse

- Do not place the device on wet or flooded ground.
- Do not place any objects, e.g. clothing, on the device.
- Do not use the device out of doors.
- Any operation other than as described in this manual is prohibited. Non-observance renders all claims for liability and guarantee null and void.
- Any unauthorised modifications, alterations or structural changes to the device are forbidden.

Personnel qualifications

People who use this device must:

- be aware of the dangers that occur when working with electric devices in damp areas.
- have read and understood the instructions, especially the Safety chapter.

Residual risks



Warning of electrical voltage

Work on the electrical components must only be carried out by an authorised specialist company!



Warning of electrical voltage

Before any work on the device, remove the mains plug from the mains socket!
Do not touch the mains plug with wet or damp hands. Hold onto the mains plug while pulling the power cable out of the mains socket.



Warning

Dangers can occur at the device when it is used by untrained people in an unprofessional or improper way! Observe the personnel qualifications!



Warning

The device is not a toy and does not belong in the hands of children.



Warning

Risk of suffocation!
Do not leave the packaging lying around. Children may use it as a dangerous toy.

Note

Do not use abrasive cleaners or solvents to clean the device.

Behaviour in the event of an emergency

1. Switch the device off.
2. Disconnect the device from the mains feed-in: Hold onto the mains plug while pulling the power cable out of the mains socket.
3. Do not reconnect a defective device to the mains.

Information about the device

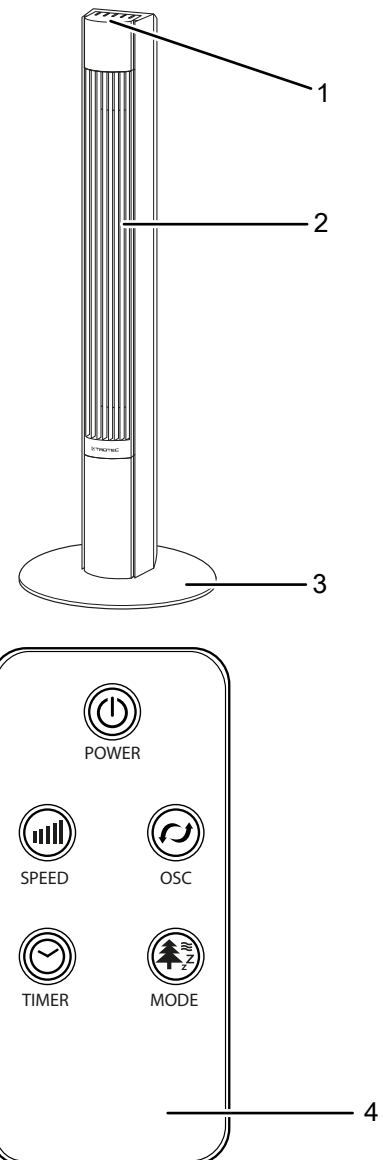
Device description

The tower fan TVE 31 T / TVE 32 T is suitable for indoor air circulation.

The device comes with the following features:

- 3 speed levels
- Adjustable timer function up to 12 hours
- On-demand 60° oscillation

Device depiction



No.	Designation
1	Control panel
2	Fan body
3	Foot
4	Remote control

Transport and storage

Note

If you store or transport the device improperly, the device may be damaged.

Note the information regarding transport and storage of the device.

Transport

To make the device easier to transport, it is fitted with a carry handle.

Before transporting the device, observe the following:

- Switch the device off.
- Hold onto the mains plug while pulling the power cable out of the mains socket.
- Do not use the power cable to drag the device.

After transporting the device, proceed as follows:

- Set up the device in an upright position after transport.

Storage

Before storing the device, proceed as follows:

- Switch off the device.
- Hold onto the mains plug while pulling the power cable out of the mains socket.

When the device is not being used, observe the following storage conditions:

- Store the device in a dry location and protected from frost and heat.
- If required, use a cover to protect the device from invasive dust.
- Place no further devices or objects on top of the device to prevent it from being damaged.
- Remove the batteries from the remote control.

Assembly and start-up

Scope of delivery

- 1 x Device TVE 31 T / TVE 32 T
- 1 x Remote control (without batteries)
- 1 x manual

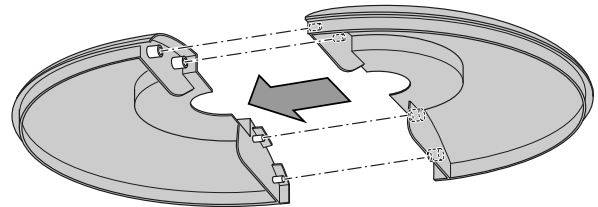
Unpacking the device

1. Open the cardboard box and take the device out.
2. Completely remove the packaging.
3. Fully unwind the power cable. Make sure that the power cable is not damaged and that you do not damage it during unwinding.

Assembly

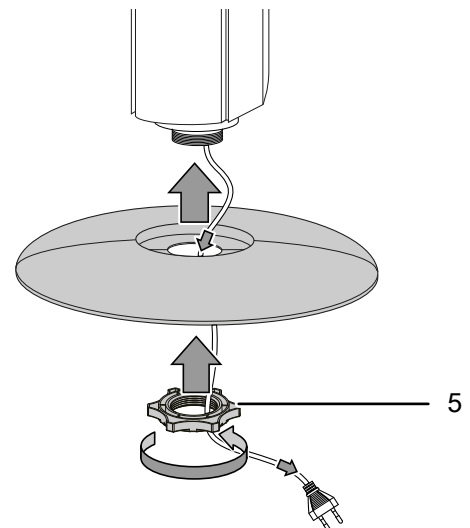
Mounting the foot

1. Connect the two parts of the foot (3) so that the connection pieces interlock.

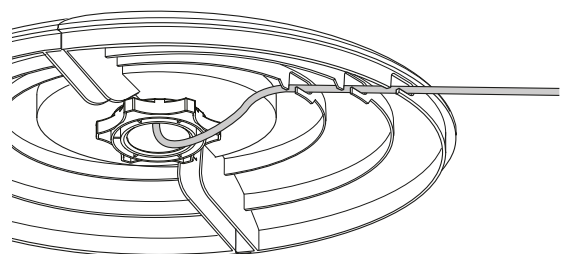


Connecting the fan body and foot

1. Remove the plastic nut (5) underneath the fan body.
2. Connect the assembled foot with the fan body.
3. Tighten the plastic nut (5) at the bottom side of the fan body.

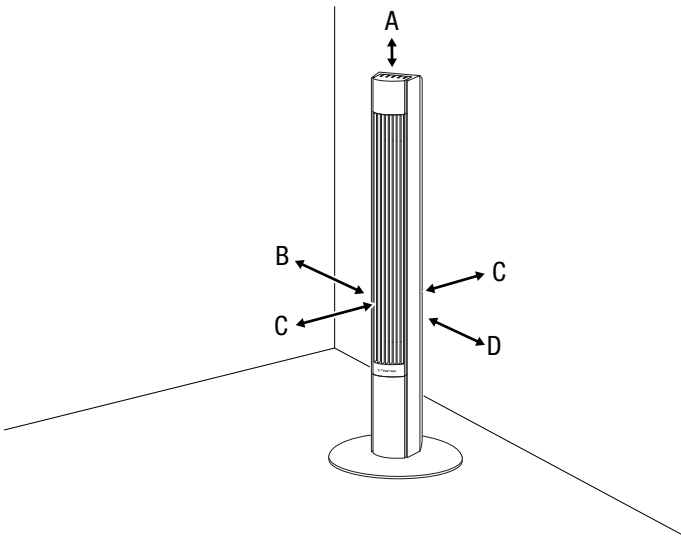


4. Route the power cable through the retainers underneath the foot as shown in the illustration below to ensure safe positioning of the fan.



Start-up

When positioning the device, observe the minimum distance from walls or other objects as described in the chapter Technical annex.



- Before restarting the device, check the condition of the power cable. If there are doubts as to the sound condition, contact the customer service.
- Only put up the device in an upright, stable position on firm ground.
- Do not create tripping hazards when laying the power cable or other electric cables, especially when positioning the device in the middle of the room. Use cable bridges.
- Make sure that extension cables are completely unrolled.
- Make sure that no curtains or other objects interfere with the air flow.

Inserting batteries into the remote control



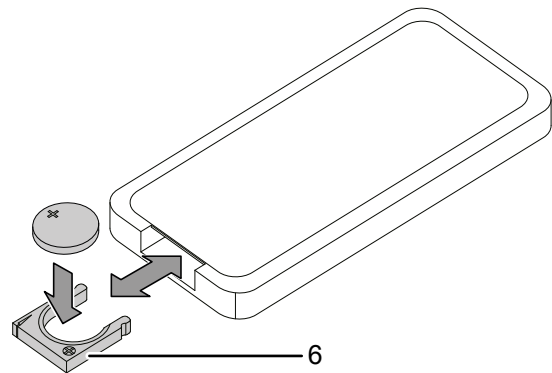
Warning of electrical voltage

Do not touch the battery compartment with wet or damp hands.

Note

Do not use rechargeable batteries! Observe the Technical data for start-up.

1. Press the locking at the side of the battery compartment (6) together and pull the battery compartment out of the remote control.
2. Insert a type CR 2025 (3 V) battery into the battery compartment and slide the battery compartment back into the remote control.

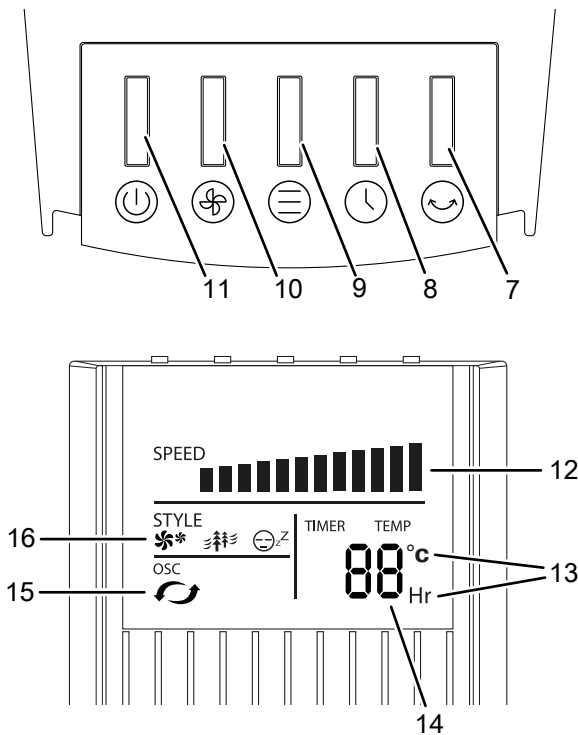


Connecting the power cable

- Insert the mains plug into a properly fused mains socket.

Operation

Operating elements



No.	Designation	Meaning
7	OSC button	Activating and deactivating the oscillation function
8	TIMER button	Timer function for automatic switch-off Setting the number of hours of the activated timer
9	MODE button	Selecting the operating mode: <i>normal operation</i> <i>natural wind</i> <i>night mode</i>
10	Fan stage button	Setting the fan stage (1–3) stage 1 = low fan speed stage 2 = medium fan speed stage 3 = high fan speed
11	ON/OFF button	Switching the device on and off
12	Fan stage indication	Indicates the set fan stage
13	Indication of the unit	Indication of the unit (hours / degrees Celsius)

14	Temperature/ timer segment display	<ul style="list-style-type: none"> Room temperature indication Indication of the number of hours of the activated timer in increments of 1 hour
15	Oscillation indication	Indicates whether the oscillation function is activated
16	Operating mode LEDs	Indicate the selected operating mode: ** = <i>normal operation</i> *** = <i>natural wind</i> **** = <i>night mode</i>

Switching the device on

Once you have completely installed the device as described in the chapter Assembly and start-up, you can switch it on.

1. Press the *ON/OFF* button (11).

⇒ An acoustic signal is emitted and the device starts up in *normal operation* mode at fan stage 1.

Setting the operating mode

The device has the following operating modes:

- *normal operation*
- *natural wind*
- *night mode*

Normal operation

In *normal operation* mode the fan keeps running at the desired fan stage. The fan stage can be set from 1 to 3 in this operating mode and is shown on the fan stage indication (12).

Please proceed as follows to set the fan stage in *normal operation* mode:

1. Press the *MODE* button (9) until the ** = *normal operation* LED lights up among the operating mode LEDs (16).
⇒ The device runs in *normal operation* mode.
2. Press the *fan stage* button (10) to switch between the fan stages.
⇒ The selected fan stage is indicated by the fan stage indication (12).
⇒ The device keeps running at the set fan stage.

Natural wind

In *natural wind* mode, the fan speed automatically increases and decreases alternately to generate a pleasant, natural air stream. You can set the fan stage manually from 1 to 3 in this mode.

Please proceed as follows to activate *natural wind* mode:

1. Press the *MODE* button (9) until the #^* = *natural wind* LED lights up among the operating mode LEDs (16).
⇒ The device switches to *natural wind* mode.
2. Press the *fan stage* button (10) to switch between the fan stages.
⇒ The selected fan stage is indicated by the fan stage indication (12).

Night mode

In *night mode*, the device gradually changes the fan stage automatically depending on the selected fan stage. You can set the fan stage manually from 1 to 3 in this mode.

1. Press the *MODE* button (9) until the ☾^* = *night mode* LED lights up among the operating mode LEDs (16).
⇒ The device runs in *night mode*.
2. Press the *fan stage* button (10) to switch between the fan stages.
⇒ The selected fan stage is indicated by the fan stage indication (12).
⇒ After a few seconds, the display will be dimmed automatically.

Setting the timer

Note

If the timer is activated, the device will no longer display the current room temperature during operation.

The timer has one mode of operation:

- automatic switch-off upon expiry of a preset number of hours

The number of hours of the timer can range from 1 to 12. The timer can be set in increments of 1 hour (1 h to 12 h).

The function can be set in all operating modes. It can only be activated during operation.

Automatic switch-off

- ✓ The device is switched on.
1. Press the *TIMER* button (8) to activate the timer.
⇒ The value 1 h appears on the temperature/timer segment display (14).
 2. Press the *TIMER* button (8) to select the desired number of hours until automatic switch-off.
⇒ The temperature/timer segment display (14) indicates the number of hours until automatic switch-off.
⇒ After the predefined time, the device switches itself off.
 3. To delete the setting, press the *TIMER* button (8) repeatedly until the temperature/timer segment display (14) no longer indicates any value.

Memory function

If you switch the device back on from standby mode or after a power failure, the settings selected for the last used operating mode are saved.

Any activated timer will not be saved in the device.

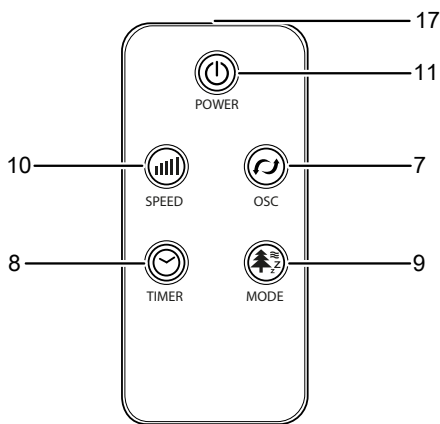
Using the oscillation function

By means of the oscillation function you can achieve consistent ventilation.

- ✓ The device is switched on and operating.
1. Press the *OSC* button (7) to activate the oscillation function.
⇒ The oscillation function is activated.
⇒ The fan body rotates to and fro by up to 60°.
 2. Press the *OSC* button (7) to deactivate the oscillation function.
⇒ The oscillation function is deactivated.
⇒ The device stops oscillation at the desired position and continues to run in the selected operating mode.

Remote control

All settings of the device can also be made using the remote control included in the scope of delivery.



No.	Designation	Meaning
17	Remote control transmitter/receiver	For infrared transmission to the device
11	ON/OFF button	Switching the device on and off
7	OSC button	Activating and deactivating the oscillation function
9	MODE button	Selecting the operating mode: <i>normal operation</i> <i>natural wind</i> <i>night mode</i>
8	TIMER button	Timer function for automatic switch-off Setting the number of hours of the activated timer
10	Fan stage button	Setting the fan stage (1–3) stage 1 = low fan speed stage 2 = medium fan speed stage 3 = high fan speed

Shutdown



Warning of electrical voltage

Do not touch the mains plug with wet or damp hands.

- Switch off the device.
- Hold onto the mains plug while pulling the power cable out of the mains socket.
- Clean the device according to the Maintenance chapter.
- Store the device according to the Transport and storage chapter.

Errors and faults

The device has been checked for proper functioning several times during production. If malfunctions occur nonetheless, check the device according to the following list.

The device does not start:

- Check the power connection.
- Check the power cable and mains plug for damage.
- Check the on-site fusing.
- Check whether the overheating protection has tripped, see chapter Safety.

The fan does not start:

- Check whether the unit is switched on.
- Check the power supply and whether the plug or cable is defective.

The device is loud or vibrates:

- Check whether the device is set up in a stable and upright position.
- Check whether the device is mounted correctly.

Note

Wait for at least 3 minutes after maintenance and repair work. Only then switch the device back on.

The device still does not operate correctly after these checks:

Please contact the customer service. If necessary, bring the device to an authorised specialist electrical company or to Trotec for repair.

Maintenance

Activities required before starting maintenance



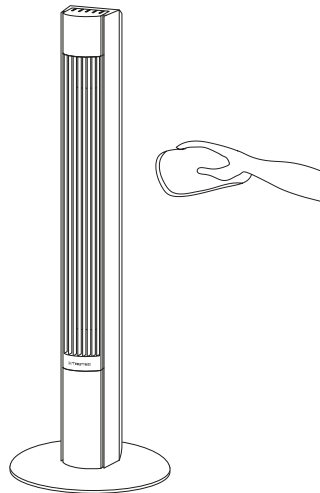
Warning of electrical voltage

Do not touch the mains plug with wet or damp hands.

- Switch the device off.
- Hold onto the mains plug while pulling the power cable out of the mains socket.

Cleaning the housing

Clean the housing with a soft, damp and lint-free cloth. Make sure that no moisture enters the housing. Protect electrical components from moisture. Do not use any aggressive cleaning agents such as cleaning sprays, solvents, alcohol-based or abrasive cleaners to dampen the cloth.



Technical annex

Technical data

Parameter	Value	
Model	TVE 31 T	TVE 32 T
Fan stages	3	3
Air velocity	2.9 m/s	2.9 m/s
Input voltage	220 – 240 V / 50 Hz	220 – 240 V / 50 Hz
Power consumption	45 W	45 W
Power cable length	1.60 m	1.60 m
Oscillation function	60°	60°
Sound pressure level (at 1 m distance, stage 3)	58.5 dB(A)	58.5 dB(A)
Weight	2.5 kg	3 kg
Dimensions (length x width x height)	250 x 250 x 920 mm	300 x 300 x 1119 mm
Minimum distance to walls and other objects		
top (A):	30 cm	30 cm
rear (B):	30 cm	30 cm
sides (C):	30 cm	30 cm
front (D):	30 cm	30 cm
Battery for the remote control	CR2025 button cell 3 V	

Disposal

Always dispose of packing materials in an environmentally friendly manner and in accordance with the applicable local disposal regulations.



The icon with the crossed-out waste bin on waste electrical or electronic equipment is taken from Directive 2012/19/EU. It states that this device must not be disposed of with the household waste at the end of its life. You will find collection points for free return of waste electrical and electronic equipment in your vicinity. The addresses can be obtained from your municipality or local administration. You can also find out about other return options that apply for many EU countries on the website <https://hub.trotec.com/?id=45090>. Otherwise, please contact an official recycling centre for electronic and electrical equipment authorised for your country.

The separate collection of waste electrical and electronic equipment aims to enable the re-use, recycling and other forms of recovery of waste equipment as well as to prevent negative effects for the environment and human health caused by the disposal of hazardous substances potentially contained in the equipment.



In the European Union, batteries and accumulators must not be treated as domestic waste, but must be disposed of professionally in accordance with Directive 2006/66/EC of the European Parliament and of the Council of 6 September 2006 on batteries and accumulators. Please dispose of batteries and accumulators according to the relevant legal requirements.

Only for United Kingdom

According to Waste Electrical and Electronic Equipment Regulations 2013 (SI 2013/3113) (as amended) and the Waste Batteries and Accumulators Regulations 2009 (SI 2009/890) (as amended), devices that are no longer usable must be collected separately and disposed of in an environmentally friendly manner.

Trotec GmbH

Grebener Str. 7
D-52525 Heinsberg

☎ +49 2452 962-400

☎ +49 2452 962-200

✉ info@trotec.com

www.trotec.com