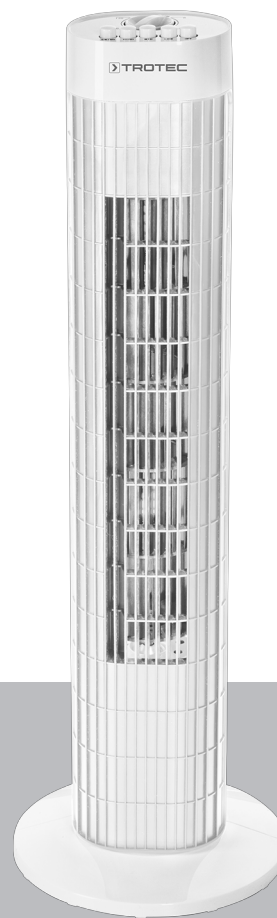


TVE 30 T

EN

OPERATING MANUAL
TOWER FAN



 **TROTEC**

Table of contents

Notes regarding the operating manual..... 2

Safety 2

Information about the device..... 4

Transport and storage..... 4

Assembly and start-up..... 5

Operation 6

Errors and faults..... 7

Maintenance 8

Technical annex..... 8

Disposal 8

Notes regarding the operating manual

Symbols



Warning of electrical voltage

This symbol indicates dangers to the life and health of persons due to electrical voltage.



Warning

This signal word indicates a hazard with an average risk level which, if not avoided, can result in serious injury or death.



Caution

This signal word indicates a hazard with a low risk level which, if not avoided, can result in minor or moderate injury.

Note

This signal word indicates important information (e.g. material damage), but does not indicate hazards.



Info

Information marked with this symbol helps you to carry out your tasks quickly and safely.



Follow the manual

Information marked with this symbol indicates that the operating manual must be observed.

You can download the current version of the operating manual and the EU declaration of conformity via the following link:



TVE 30 T



<https://hub.trotec.com/?id=40190>

Safety

Read this manual carefully before starting or using the device. Always store the manual in the immediate vicinity of the device or its site of use!



Warning

Read all safety warnings and all instructions.

Failure to follow the warnings and instructions may result in electric shock, fire and / or serious injury.

Save all warnings and instructions for future reference.

This appliance can be used by children aged from 8 years and above and persons with reduced physical, sensory or mental capabilities or lack of experience and knowledge if they have been given supervision or instruction concerning use of the appliance in a safe way and understand the hazards involved.

Children shall not play with the appliance. Cleaning and user maintenance shall not be made by children without supervision.

- Do not use the device in potentially explosive rooms.
- Do not use the device in aggressive atmosphere.
- Set the device up in an upright and stable position.
- Let the device dry out after a wet clean. Do not operate it when wet.
- Do not use the device with wet or damp hands.
- Do not expose the device to directly squirting water.
- Never insert any objects or limbs into the device.
- Do not cover or transport the device during operation.
- Do not sit on the device.
- This appliance is not a toy! Keep away from children and animals. Do not leave the device unattended during operation.
- Check accessories and connection parts for possible damage prior to every use of the device. Do not use any defective devices or device parts.

- Ensure that all electric cables outside of the device are protected from damage (e.g. caused by animals). Never use the device if electric cables or the power connection are damaged!
- The electrical connection must correspond to the specifications in chapter Technical data.
- Insert the mains plug into a properly secured mains socket.
- Observe the technical data when selecting extensions to the power cable. Completely unroll the extension cable. Avoid electrical overload.
- Before carrying out maintenance, care or repair work on the device, remove the mains plug from the mains socket. Hold onto the mains plug while doing so.
- Switch the device off and disconnect the power cable from the mains socket when the device is not in use.
- Do not under any circumstances use the device if you detect damages on the mains plug or power cable. If the supply cord is damaged, it must be replaced by the manufacturer, its service agent or similarly qualified persons in order to avoid a hazard. Defective power cables pose a serious health risk!
- When positioning the device, observe the minimum distances from walls and other objects as well as the storage and operating conditions specified in the Technical data chapter.
- Make sure that the air inlet and outlet are not obstructed.
- Make sure that there are no loose items or dirt located in the immediate surroundings of air inlet and air outlet.
- When unmounted, the device should be neither operated nor connected to the mains.
- Improper installation can lead to a fire, electric shock or severe personal injury.

Intended use

Only use the device TVE 30 T as pedestal fan for the ventilation of interior spaces whilst adhering to the technical data.

Improper use

- Do not place the device on wet or flooded ground.
- Do not place any objects, e.g. clothing, on the device.
- Do not use the device outdoors.
- Any operation other than as described in this manual is prohibited. Non-observance renders all claims for liability and guarantee null and void.
- Any unauthorised modifications, alterations or structural changes to the device are forbidden.

Personnel qualifications

People who use this device must:

- be aware of the dangers that occur when working with electric devices in damp areas.
- have read and understood the operating manual, especially the Safety chapter.

Residual risks



Warning of electrical voltage

Work on the electrical components must only be carried out by an authorised specialist company!



Warning of electrical voltage

Before any work on the device, remove the mains plug from the mains socket!
Hold onto the mains plug while pulling the power cable out of the mains socket.



Warning

Dangers can occur at the device when it is used by untrained people in an unprofessional or improper way! Observe the personnel qualifications!



Warning

The device is not a toy and does not belong in the hands of children.



Warning

Risk of suffocation!
Do not leave the packaging lying around. Children may use it as a dangerous toy.

Note

Do not use abrasive cleaners or solvents to clean the device.

Behaviour in the event of an emergency

1. Switch off the device.
2. In an emergency, disconnect the device from the mains feed-in: Hold onto the mains plug while pulling the power cable out of the mains socket.
3. Do not reconnect a defective device to the mains.

Information about the device

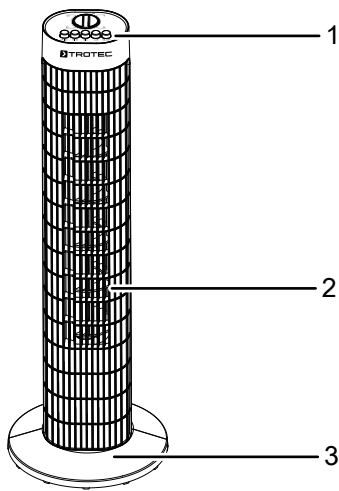
Device description

The tower fan TVE 30 T is suitable for indoor air circulation.

The device comes with the following features:

- 3 speed levels
- Adjustable time function up to 120 min
- On-demand 60° oscillation
- Carrying handle for easy transport

Device depiction



No.	Designation
1	Control panel
2	Fan body
3	Foot

Transport and storage

Note

If you store or transport the device improperly, the device may be damaged.

Note the information regarding transport and storage of the device.

Transport

Before transporting the device, observe the following:

- Switch off the device.
- Hold onto the mains plug while pulling the power cable out of the mains socket.
- Do not use the power cable to drag the device.

After transporting the device, observe the following:

- Set up the device in an upright position after transport.

Storage

Before storing the device, proceed as follows:

- Switch off the device.
- Hold onto the mains plug while pulling the power cable out of the mains socket.

When the device is not being used, observe the following storage conditions:

- dry and protected from frost and heat
- with a cover to protect it from invasive dust, if necessary
- Place no further devices or objects on top of the device to prevent it from being damaged.

Assembly and start-up

Scope of delivery

- 1 x Device TVE 30 T
- 1 x Manual

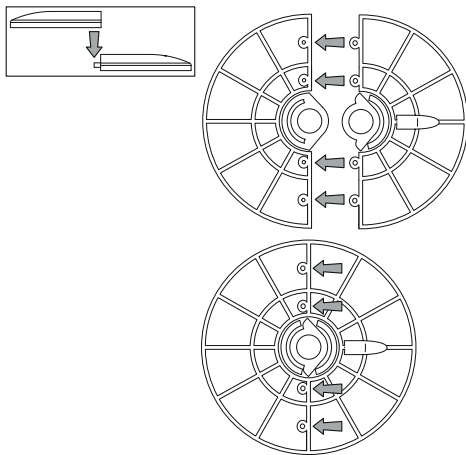
Unpacking the device

1. Open the cardboard box and take the device out.
2. Completely remove the packaging.
3. Fully unwind the power cable. Make sure that the power cable is not damaged and that you do not damage it during unwinding.

Assembly

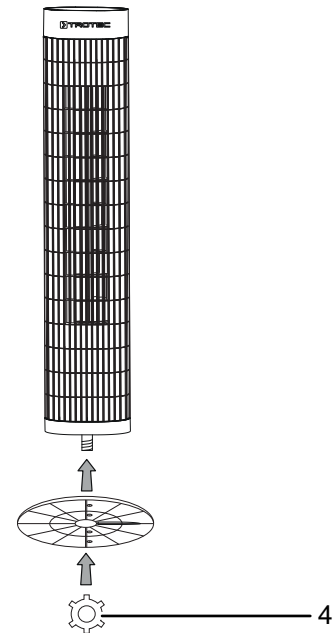
Mounting the foot

1. Connect the two parts of the foot (3) so that the pins engage in the provided openings.

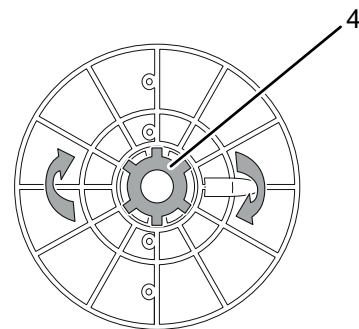


Connecting the fan body and foot

1. Remove the plastic nut (4) underneath the fan body.
2. Connect the assembled foot with the fan body.

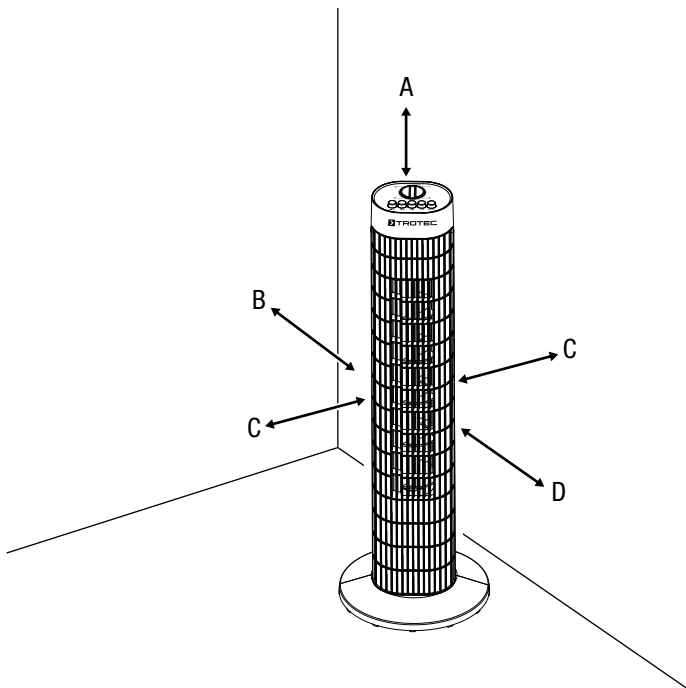


3. Tighten the plastic nut (4) at the bottom side of the fan body.



Start-up

When positioning the device, observe the minimum distance from walls or other objects as described in the Technical data chapter.



- Before restarting the device, check the condition of the power cable. If there are doubts as to the sound condition, contact the customer service.
- Set the device up in an upright and stable position.
- Do not create tripping hazards when laying the power cable or other electric cables, especially when positioning the device in the middle of the room. Use cable bridges.
- Make sure that extension cables are completely unrolled.
- Make sure that no curtains or other objects interfere with the air flow.

Inserting the battery into the remote control

Remove the battery cover (5) above the remote control's battery compartment and insert a CR 2032 battery (3 V, included in the scope of delivery).

Note

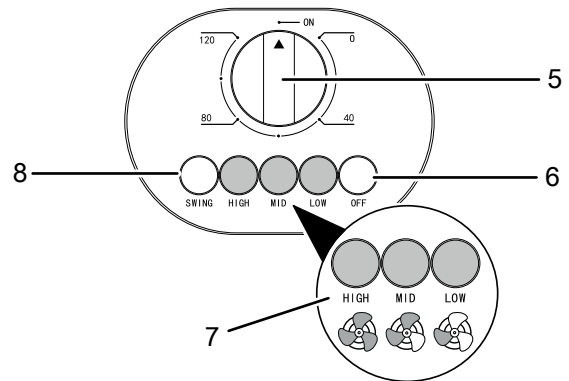
Do not use rechargeable batteries!
Observe the Technical data chapter for start-up.

Connecting the power cable

- Insert the mains plug into a properly secured mains socket.

Operation

Operating elements



No.	Designation	Meaning
5	Rotary switch	<ul style="list-style-type: none"> • Switching the device on and off • Activating the timer and setting the time
6	OFF button	Switching the device off
7	Fan stage buttons	<ul style="list-style-type: none"> • Setting the fan stage (1-3) stage 1 (<i>LOW</i>): low fan speed stage 2 (<i>MID</i>): medium fan speed stage 3 (<i>HIGH</i>): high fan speed
8	SWING button	Activating and deactivating the oscillation function

Switching the device on

Once you have completely installed the device as described in the Start-up chapter, you can switch it on.

1. Turn the rotary switch (5) to position *ON*.
2. Press one of the *fan stage* buttons (7).
⇒ The device starts in *normal operation* mode at the selected fan stage.

Changing the fan stage

In *normal operation* mode the fan keeps running at the desired fan stage. The fan stage can be set from 1 to 3 in this mode.

1. Press the desired *fan stage* button (7) during fan operation.
⇒ The device keeps running at the set fan stage.

Setting the timer

The timer has one mode of operation:

- automatic switch-off upon expiry of a preset number of minutes

The number of minutes can be set to 20 min, 40 min, 60 min, 80 min, 100 min or 120 min.

Automatic switch-off

- ✓ The device is switched on.
1. Turn the rotary switch (5) to the number of minutes after which you want the device to switch off.
 - ⇒ The timer is now set to the desired number of minutes.
 - ⇒ The device switches off automatically after the set number of minutes has elapsed.

Using the oscillation function

By means of the oscillation function you can achieve consistent ventilation.

- ✓ The device is switched on and operating.
1. Press the *SWING* button (8) to activate the oscillation function.
 - ⇒ The oscillation function is activated.
 - ⇒ The fan body rotates to and fro by up to 60°.
 2. Press the *SWING* button (8) again to deactivate the oscillation function.
 - ⇒ The oscillation function is deactivated.

Shutdown



Warning of electrical voltage

Do not touch the mains plug with wet or damp hands.

- Switch off the device.
- Hold onto the mains plug while pulling the power cable out of the mains socket.
- Clean the device according to the Maintenance chapter.
- Store the device according to the Storage chapter.

Errors and faults

The device has been checked for proper functioning several times during production. If malfunctions occur nonetheless, check the device according to the following list.

The device does not start:

- Check the power connection.
- Check the power cable and mains plug for damages.
- Check the on-site fusing.
- Wait for 10 minutes before restarting the device. If the device is not starting, have the electrics checked by a specialist company or by Trotec.

The fan does not start:

- Check whether the unit is switched on.
- Check the power supply and whether the plug or cable is defective.

The device is loud or vibrates:

- Check whether the device is set up in a stable and upright position.
- Check whether the device is mounted correctly.

Your device still does not operate correctly after these checks?

Please contact the customer service. If necessary, bring the device to an authorized specialist electrical company or to Trotec for repair.

Maintenance

Activities required before starting maintenance



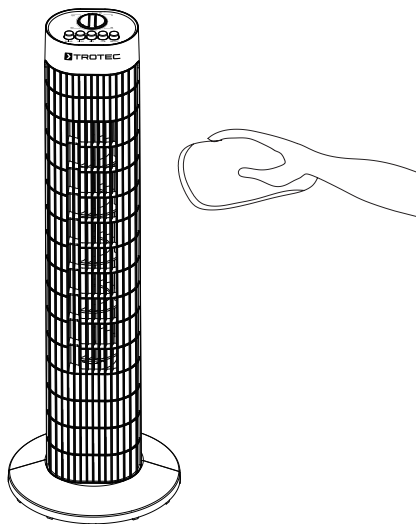
Warning of electrical voltage

Do not touch the mains plug with wet or damp hands.

- Switch the device off.
- Hold onto the mains plug while pulling the power cable out of the mains socket.

Cleaning the housing

Clean the housing with a soft, damp and lint-free cloth. Make sure that no moisture enters the housing. Protect electrical components from moisture. Do not use any aggressive cleaning agents such as cleaning sprays, solvents, alcohol-based or abrasive cleaners to dampen the cloth.



Technical annex

Technical data

Parameter	Value
Model	TVE 30 T
Fan stages	3
Air velocity	3.77 m/s
Input voltage	220 - 240 V / 50 Hz
Power input	45 W
Power cable length	1.90 m
Oscillation function	60°
Sound pressure level (at 1 m distance, stage 3)	60 dB(A)
Weight	3 kg
Dimensions (length x width x height)	240 x 240 x 760 mm
Minimum distance to walls and other objects	top (A): 30 cm rear (B): 30 cm sides (C): 30 cm front (D): 30 cm

Disposal



The icon with the crossed-out waste bin on waste electrical or electronic equipment stipulates that this equipment must not be disposed of with the household waste at the end of its life. You will find collection points for free return of waste electrical and electronic equipment in your vicinity. The addresses can be obtained from your municipality or local administration. For further return options provided by us please refer to our website www.trotec24.com.

The separate collection of waste electrical and electronic equipment aims to enable the re-use, recycling and other forms of recovery of waste equipment as well as to prevent negative effects for the environment and human health caused by the disposal of hazardous substances potentially contained in the equipment.

Trotec GmbH

Grebener Str. 7
D-52525 Heinsberg

☎ +49 2452 962-400

☎ +49 2452 962-200

✉ info@trotec.com

www.trotec.com