

TFV 10 S / TFV 30 S

EN

INSTRUCTIONS
TURBO FAN



Table of contents

Information on the use of these instructions 2

Safety 2

Information about the device..... 4

Transport and storage..... 5

Assembly and start-up 6

Operation 7

Available accessories..... 8

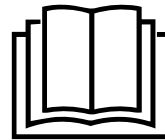
Errors and faults 8

Maintenance 9

Technical annex..... 9

Disposal 10

You can download the current version of the instructions and the EU declaration of conformity via the following link:



TFV 10 S



<https://hub.trotec.com/?id=41187>

TFV 30 S



<https://hub.trotec.com/?id=41188>

Information on the use of these instructions

Symbols

Warning of electrical voltage
This symbol indicates dangers to the life and health of persons due to electrical voltage.

Warning
This signal word indicates a hazard with an average risk level which, if not avoided, can result in serious injury or death.

Caution
This signal word indicates a hazard with a low risk level which, if not avoided, can result in minor or moderate injury.

Notice
This signal word indicates important information (e.g. material damage), but does not indicate hazards.

Info
Information marked with this symbol helps you to carry out your tasks quickly and safely.

Follow the manual
Information marked with this symbol indicates that the instructions must be observed.

Wear hearing protection
Information marked with this symbol indicates that you should wear hearing protection.

Safety

Read this manual carefully before starting or using the device. Always store the manual in the immediate vicinity of the device or its site of use.

Warning
Read all safety warnings and all instructions. Failure to follow the warnings and instructions may result in electric shock, fire and/or serious injury.
Save all warnings and instructions for future reference.
This appliance can be used by children aged from 8 years and above and persons with reduced physical, sensory or mental capabilities or lack of experience and knowledge if they have been given supervision or instruction concerning use of the appliance in a safe way and understand the hazards involved.
Children shall not play with the appliance. Cleaning and user maintenance shall not be made by children without supervision.

- Do not use the device in potentially explosive rooms or areas and do not install it there.
- Do not use the device in aggressive atmosphere.
- Place the device in an upright and stable position on horizontal and stable ground.
- Let the device dry out after a wet clean. Do not operate it when wet.
- Do not use the device with wet or damp hands.
- Do not expose the device to directly squirting water.
- Never insert any objects or limbs into the device.

- Do not cover the device during operation.
- Do not sit on the device.
- This appliance is not a toy. Keep away from children and animals.
- Check accessories and connection parts for possible damage prior to every use of the device. Do not use any defective devices or device parts.
- Ensure that all electric cables outside of the device are protected from damage (e.g. caused by animals). Never use the device if electric cables or the power connection are damaged!
- The mains connection must correspond to the specifications in the Technical annex.
- Insert the mains plug into a properly fused mains socket.
- Observe the technical data when selecting extensions to the power cable. Completely unroll the extension cable. Avoid electrical overload.
- Before carrying out maintenance, care or repair work on the device, remove the mains plug from the mains socket. Hold onto the mains plug while doing so.
- Switch the device off and disconnect the power cable from the mains socket when the device is not in use.
- Do not under any circumstances use the device if you detect damages on the mains plug or power cable. If the power cable is damaged, it must be replaced by the manufacturer, its service agent or similarly qualified persons in order to avoid a hazard. Defective power cables pose a serious health risk!
- Observe the storage and operating conditions (see Technical data).
- Make sure that the air inlet and outlet are not obstructed.
- Make sure that there are no loose items or dirt located in the immediate surroundings of air inlet and air outlet.

Intended use

The devices TFV 10 S / TFV 30 S may be used for generating a broad near-ground air current with a high air circulation for the accelerated drying of flooring or to assist in drying walls and floors after water damage or else for construction drying.

Any use other than the intended use is regarded as misuse.

Reasonably foreseeable misuse

The turbo fan is not suited for installation in fluids or on flooded or boggy grounds. Any unauthorised changes, modifications or alterations to the device are forbidden.

Personal protective equipment



Wear hearing protection

Wear appropriate hearing protection when working with the device.

Personnel qualification

People who use this device must:

- have read and understood the instructions, especially the Safety chapter.

Residual risks



Warning of electrical voltage

Work on the electrical components must only be carried out by an authorised specialist company!



Warning of electrical voltage

Before any work on the device, remove the mains plug from the mains socket!

Do not touch the mains plug with wet or damp hands. Hold onto the mains plug while pulling the power cable out of the mains socket.



Warning

Dangers can occur at the device when it is used by untrained people in an unprofessional or improper way! Observe the personnel qualifications!



Warning

The device is not a toy and does not belong in the hands of children.



Warning

Risk of suffocation!

Do not leave the packaging lying around. Children may use it as a dangerous toy.



Caution

Risk of injury due to parts being whirled up by the strong air current.

Before switching the device on, make sure that there are no loose parts (clothing, hair etc.) located near the air inlet or outlet!

Notice

Do not use abrasive cleaners or solvents to clean the device.

Behaviour in the event of an emergency

1. In an emergency, disconnect the device from the mains feed-in: Switch the device off and disconnect it from the mains.
2. Remove persons from the danger area.
3. Do not reconnect a defective device to the mains.

Information about the device

Device description

The devices TFV 10 S / TFV 30 S were designed for a very high air flow rate. They may be used for drying carpets, buildings or screed as well as for the ventilation of poorly accessible intermediate spaces. Owing to the high air circulation, the devices can also be used to control excessive humidity levels. The fan is also very effective for the additional air circulation when heating large buildings, e.g. in the months of winter.

The TFV 30 S is further equipped with a service socket, which means that you can operate another device via the same socket. This socket is ready for operation for as long as the TFV 30 S is connected to the mains – it does not need to be switched on.

Moreover, you can connect an optional three-way hose distributor to the TFV 30 S in order to direct the air current towards 3 different locations.

The cable of this device can be wound around the cable holder at the carrying handle.

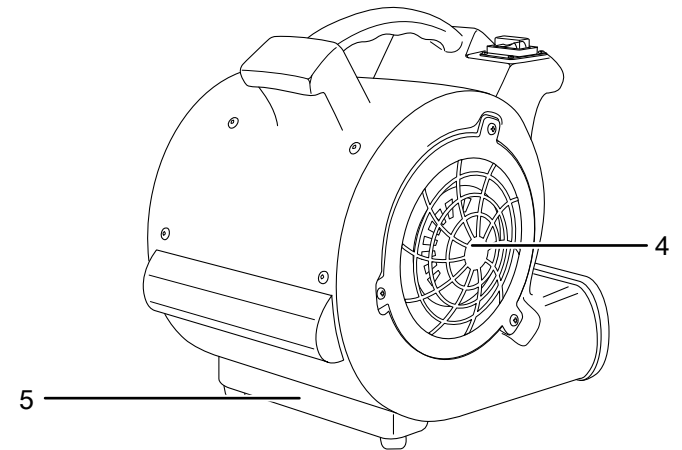
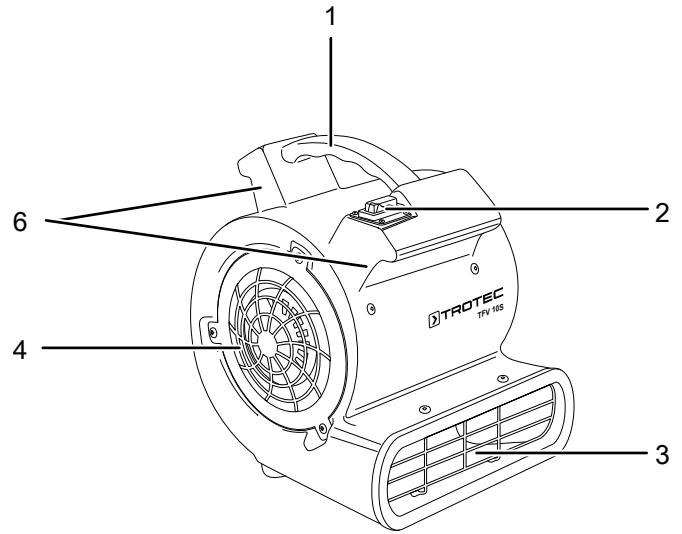
The corners of the device are designed in a way that several devices can be safely stacked on top of one another for space-saving storage. Do not exceed the maximum of five stacked devices.

In addition to all conventional ventilation tasks these turbo fans are also suited particularly well for the quick elimination of moisture at the underbody after driving on wet roads.

The device can be set up at different angles in order to reach difficult corners or otherwise inaccessible hollows: 0°, 45°, 90°.

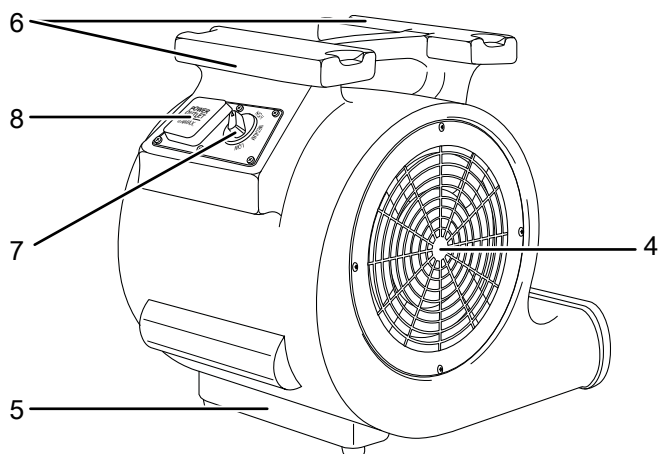
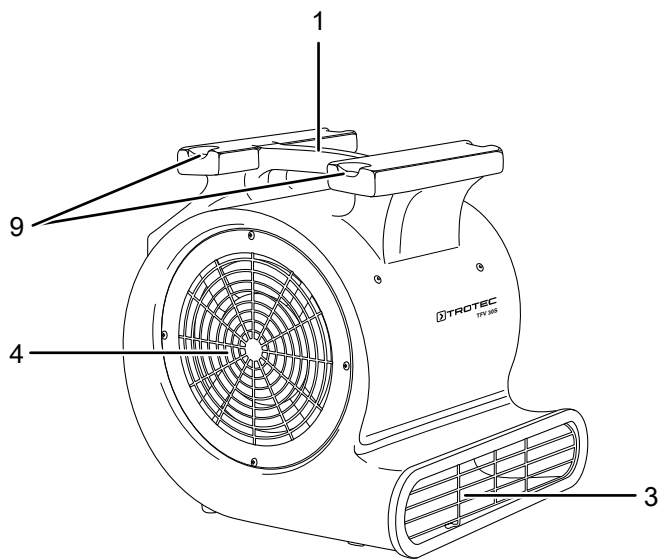
Device depiction

TFV 10 S



No.	Designation
1	Transport handle
2	On/off switch
3	Air outlet
4	Air inlet
5	Foot
6	Cable holder

TFV 30 S



No.	Designation
1	Transport handle
3	Air outlet
4	Air inlet
5	Foot
6	Cable holder
7	Rotary switch for fan stages
8	Service socket
9	Stacking aid

Transport and storage

Notice

If you store or transport the device improperly, the device may be damaged.

Note the information regarding transport and storage of the device.

Transport

To make the device easier to transport, it is fitted with a carry handle.

Before transporting the device, observe the following:

- Switch the device off.
- Hold onto the mains plug while pulling the power cable out of the mains socket.
- Do not use the power cable to drag the device.

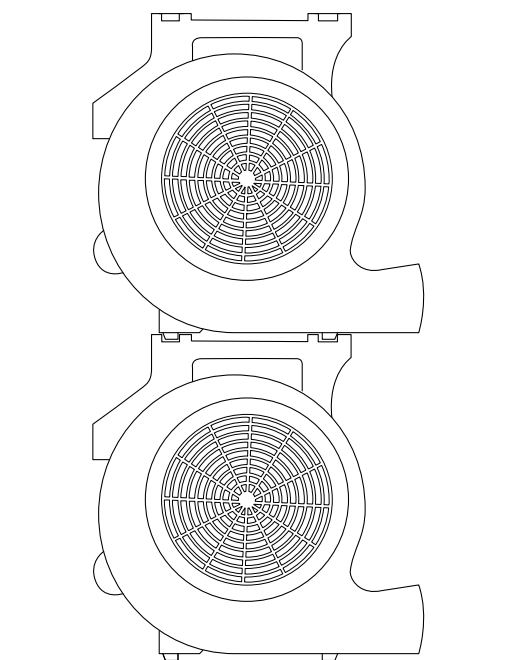
After transporting the device, proceed as follows:

- Set up the device in an upright position after transport.

Storage

When the device is not being used, observe the following storage conditions:

- Store the device in a dry location and protected from frost and heat.
- If required, use a cover to protect the device from invasive dust.
- Up to 5 devices may be stacked on top of one another (applies to the TFV 30 S only).



Info

Do not take the devices into operation when stacked. Stacking rules out an efficient usage of the devices.

Assembly and start-up

Scope of delivery

- 1 x Device
- 1 x Manual

Unpacking the device

1. Open the cardboard box and take the device out.
2. Completely remove the packaging.
3. Fully unwind the power cable. Make sure that the power cable is not damaged and that you do not damage it during unwinding.

Assembly

Connecting the (optional) three-way hose distributor

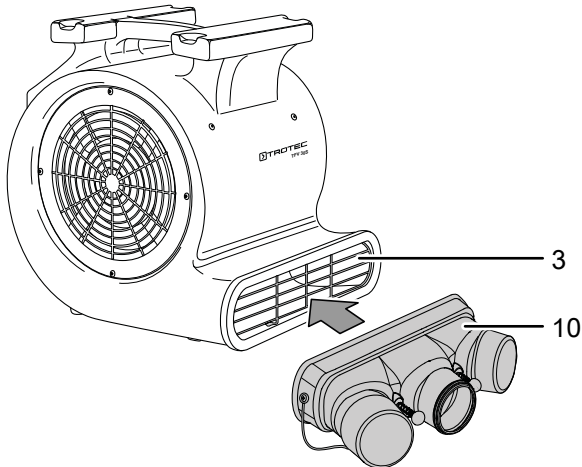
The device TFV 30 S can be connected to an optional three-way hose distributor in order to direct the air current towards max. 3 different locations.



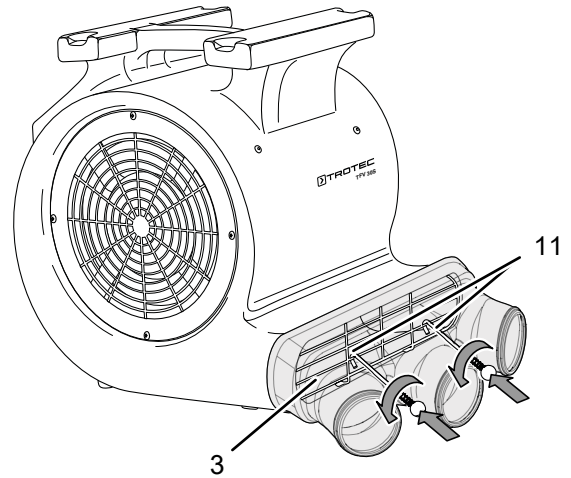
Info

Seal off unused connections by means of suitable sealing caps and possibly with hose clamps to prevent a decrease in the air flow rate.

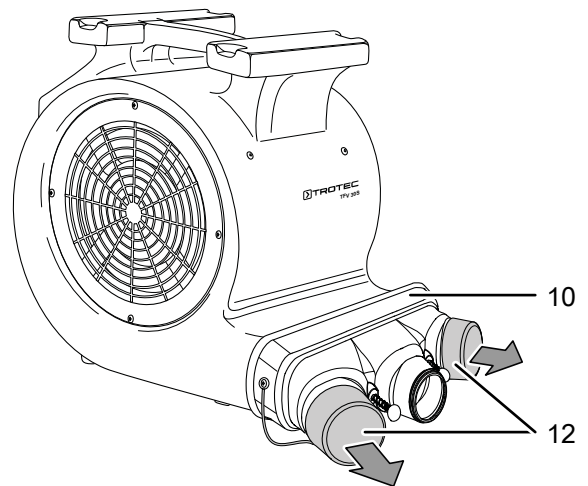
1. Slide the three-way hose distributor (10) onto the air outlet (3) so that it is held securely.



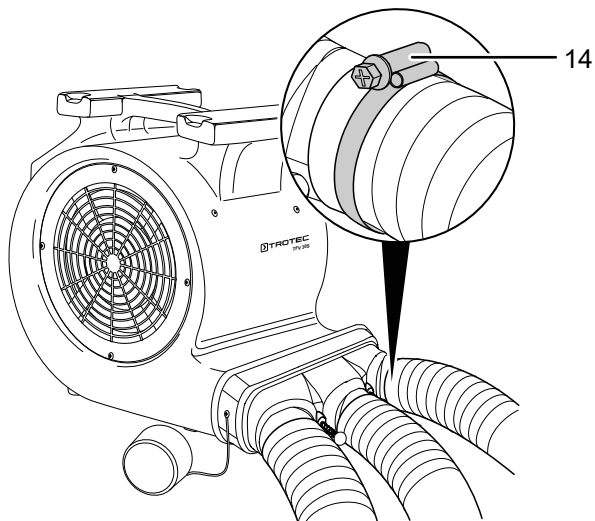
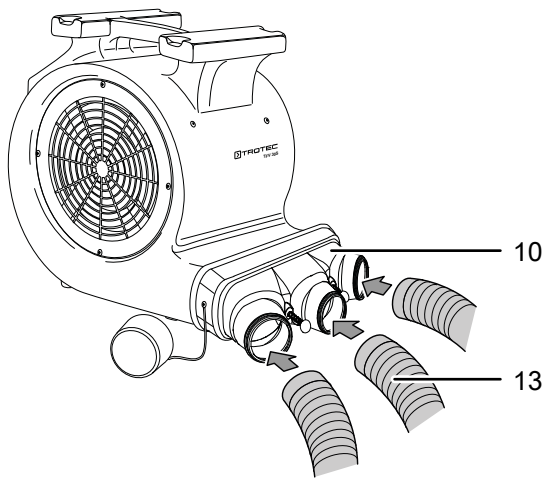
2. Move the attachment hooks (11) around until they are hooked into the air outlet grille (3).



3. Check the three-way hose distributor (10) for tight fit.
4. If attached, remove the sealing caps (12) from the three-way hose distributor (10).



- Connect suitable hoses (13) to the three-way hose distributor (10) and affix them using an appropriate hose clamp (14).

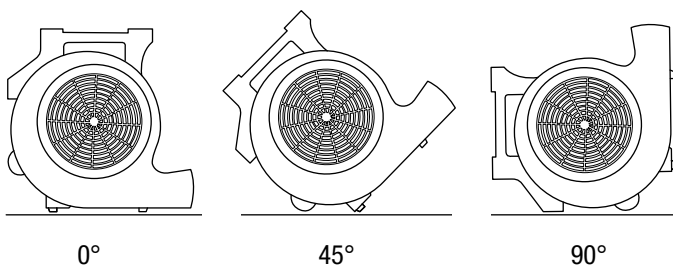


- Check the hoses (13) for tight fit.

Start-up

Positioning

- Set the device up separately and in a stable position.
- The device can be variably positioned in a way to allow an air discharge at an angle of 0°, 45° or 90°.



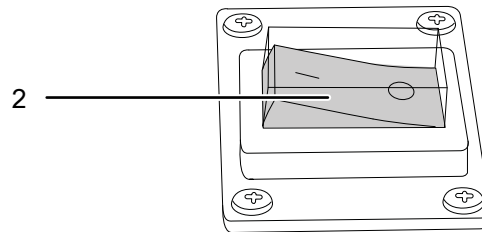
Connecting the power cable

- Insert the mains plug into a properly fused mains socket.

Operation

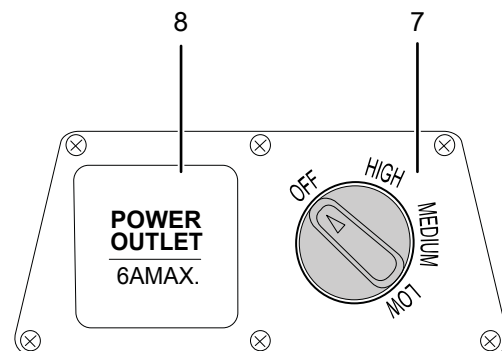
Operating elements

TFV 10 S



No.	Designation
2	On/off switch

TFV 30 S



No.	Designation
7	Rotary switch for fan stages
8	Service power socket

Switching the device on

Once you have completely installed the device as described in the chapter Assembly and start-up, you can switch it on.

TFV 10 S

- Set the On/off switch (2) to position I.
⇒ The device is switched on.

TFV 30 S

- Set the rotary switch for fan stages (7) to the desired fan stage.
stage 1 = LOW
stage 2 = MEDIUM
stage 3 = HIGH
⇒ The device is switched on.

Using the service socket (TFV 30 S)

The device TFV 30 S is equipped with a service socket, which means that you can operate another device via the same socket. The service socket is ready for operation as soon as the device is connected to the mains – it does not need to be switched on.

Shutdown



Warning of electrical voltage

Do not touch the mains plug with wet or damp hands.

- Set the on/off switch (2) to position **0** or the rotary switch (7) to **OFF**.
- Hold onto the mains plug while pulling the power cable out of the mains socket.
- Clean the device according to the Maintenance chapter.
- Store the device according to the Transport and storage chapter.

Available accessories



Warning

Only use accessories and additional equipment specified in the instructions. Using insertion tools or accessories other than those specified in the instructions may cause a risk of injury.

TFV 30 S

Accessories	Article number
Hose adapter (three-way hose distributor, 3 x Ø 100 mm), incl. two sealing caps	6.100.005.060
Air hose Tronect TF-L, Ø 100 mm, length 6 m	6.100.001.115
Hose clamp 80 – 130 mm	6.100.009.079

Errors and faults

The device has been checked for proper functioning several times during production. If malfunctions occur nonetheless, check the device according to the following list.

Notice

Wait for at least 3 minutes after maintenance and repair work. Only then switch the device back on.

The device does not start:

- Check the power connection.
- Check the power cable and mains plug for damage.
- Check the on-site fusing.

The fan is not running:

- Check whether the device is switched on.
- Check the power connection.
- Check the power cable and mains plug for damages.
- Check the on-site fusing.

The fan operates only for a brief period, then switches off:

- Check whether the protective grid at the air inlet is obstructed in some way. If applicable, remove foreign objects.
- The motor bearing might be damaged. Please contact the customer service.

The device still does not operate correctly after these checks:

Please contact the customer service. If necessary, bring the device to an authorised specialist electrical company or to the manufacturer for repair.

Maintenance

Activities required before starting maintenance



Warning of electrical voltage

Do not touch the mains plug with wet or damp hands.

- Switch the device off.
- Hold onto the mains plug while pulling the power cable out of the mains socket.

Cleaning the housing

Clean the housing with a soft, damp and lint-free cloth. Make sure that no moisture enters the housing. Protect electrical components from moisture. Do not use any aggressive cleaning agents such as cleaning sprays, solvents, alcohol-based or abrasive cleaners to dampen the cloth.

Cleaning the fan and device interior



Warning

Risk of injury caused by ejected compressed air upon activation of the compressed air supply.

Hold the compressed-air hose away from your body.

Pointing the compressed-air hose at another person is prohibited.

- Check fan and protective grid for perfect condition before and after each application.
- Clean the fan after each operation.
- Use compressed air to remove particles, lint, dust and dirt from motor, fan wheel and protective grid. Do not in any event use a high-pressure cleaner to clean the fan.
- Other than that, the device does not require maintenance.

Technical annex

Technical data

Parameter	Value
Model	TFV 10 S
Air flow rate	355 m ³ /h
Mains connection	230 V / 50 Hz
Nominal current consumption	0.5 A
Max. power consumption	0.07 kW
Stat. air pressure (freely blowing)	max. 90 Pa
Protection type	IP22
Sound level (distance 3 m)	61.5 dB(A)
Dimensions (L x W x H)	300 x 275 x 330 (mm)
Weight	3.5 kg
Model	TFV 30 S
Air flow rate	Level 1 1,350 m ³ /h Level 2 1,880 m ³ /h Level 3 2,250 m ³ /h
Mains connection	230 V / 50 Hz
Nominal current consumption	5.2 A
Max. power consumption	1.050 kW
Stat. air pressure (freely blowing)	max. 525 Pa
Protection type	IP22
Sound level (distance 3 m)	Level 1 73.5 dB(A) Level 2 80.8 dB (A) Level 3 86.2 dB (A)
Dimensions (L x W x H)	480 x 455 x 475 (mm)
Weight	16.5 kg

Disposal

Always dispose of packing materials in an environmentally friendly manner and in accordance with the applicable local disposal regulations.



The icon with the crossed-out waste bin on waste electrical or electronic equipment is taken from Directive 2012/19/EU. It states that this device must not be disposed of with the household waste at the end of its life. You will find collection points for free return of waste electrical and electronic equipment in your vicinity. The addresses can be obtained from your municipality or local administration. You can also find out about other return options that apply for many EU countries on the website <https://hub.trotec.com/?id=45090>. Otherwise, please contact an official recycling centre for electronic and electrical equipment authorised for your country.

The separate collection of waste electrical and electronic equipment aims to enable the re-use, recycling and other forms of recovery of waste equipment as well as to prevent negative effects for the environment and human health caused by the disposal of hazardous substances potentially contained in the equipment.

Only for United Kingdom

According to Waste Electrical and Electronic Equipment Regulations 2013 (SI 2013/3113) (as amended) devices that are no longer usable must be collected separately and disposed of in an environmentally friendly manner.

Trotec GmbH

Grebener Str. 7
D-52525 Heinsberg

☎ +49 2452 962-400

☎ +49 2452 962-200

✉ info@trotec.com

www.trotec.com