

VC 10 E

EN

OPERATING MANUAL
HAND-HELD VACUUM
CLEANER



 TROTEC

Table of contents

Notes regarding the operating manual..... 2

Safety 2

Information about the device..... 5

Transport and storage..... 6

Start-up..... 7

Operation 9

Errors and faults..... 9

Maintenance 10

Disassembly..... 12

Disposal 12

Notes regarding the operating manual

Symbols



Warning of electrical voltage

This symbol indicates dangers to the life and health of persons due to electrical voltage.



Warning of explosive substances

This symbol indicates dangers to the life and health of persons due to potentially explosive substances.



Warning

This signal word indicates a hazard with an average risk level which, if not avoided, can result in serious injury or death.



Caution

This signal word indicates a hazard with a low risk level which, if not avoided, can result in minor or moderate injury.

Note

This signal word indicates important information (e.g. material damage), but does not indicate hazards.



Info

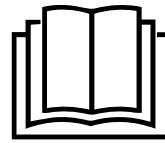
Information marked with this symbol helps you to carry out your tasks quickly and safely.



Follow the manual

Information marked with this symbol indicates that the operating manual must be observed.

You can download the current version of the operating manual and the EU declaration of conformity via the following link:



VC 10 E



<https://hub.trotec.com/?id=42268>

Safety

Read this manual carefully before starting or using the device. Always store the manual in the immediate vicinity of the device or its site of use!



Warning

Read all safety warnings and all instructions.

Failure to follow the warnings and instructions may result in electric shock, fire and / or serious injury.

Save all warnings and instructions for future reference.

This appliance can be used by children aged from 8 years and above and persons with reduced physical, sensory or mental capabilities or lack of experience and knowledge if they have been given supervision or instruction concerning use of the appliance in a safe way and understand the hazards involved.

Children shall not play with the appliance. Cleaning and user maintenance shall not be made by children without supervision.

- Do not open the device housing or the power adapter. There is danger of a short circuit.
- Keep device and power adapter away from open fire and hot surfaces and do not store or operate them in their vicinity.
- Do not pull the power adapter out of the socket by the connection cable, always hold on to the power adapter itself.
- Do not leave the device running unattended.
- Insert the mains plug into a properly secured mains socket.
- Allow the device to cool down before transport and / or maintenance work.
- Do not use the device in aggressive atmosphere.
- Do not use the device in potentially explosive rooms.
- Do not use the device with wet or damp hands.
- Do not use this device near bathtubs, shower trays, swimming pools or other water containers. Risk of electric shock!

- Do not expose the device to directly squirting water.
- Never insert any objects or limbs into the device.
- Do not operate the device in the vicinity of eyes or ears. Nozzles and pipe ends must never get too close to eyes or ears.
- Let the device dry out after a wet clean. Do not operate it when wet.
- Do not under any circumstances use the device if you detect damages on the mains plug or power cable. If the supply cord is damaged, it must be replaced by the manufacturer, its service agent or similarly qualified persons in order to avoid a hazard. Defective power cables pose a serious health risk!
- Do not sit on the device.
- Before carrying out maintenance, care or repair work on the device, remove the mains plug from the mains socket. Hold onto the mains plug while doing so.
- The electrical connection must correspond to the specifications in chapter Technical data.
- Check accessories and connection parts for possible damage prior to every use of the device. Do not use any defective devices or device parts.
- Make sure that the suction side is kept free of dirt and loose objects.
- Make sure that the suction inlet and air outlets are not obstructed. A blocked air circuit can lead to overheating and device damage.
- Do not use the device while it is connected to the power adapter.
- Clean the dust filter, the filter bag and the collection container on a regular basis to prevent a motor overload.
- Do not exchange any accessories during operation.
- Do not use the hand-held vacuum cleaner without inserted dust filter.



General Battery Pack / Charger Safety Warnings

- **Use products only with the specifically designated battery packs.** Use of any other battery packs may create a risk of injury and fire.
- **Recharge only with the charger specified by the manufacturer.** A charger that is suitable for one type of battery pack may create a risk of fire when used with another battery pack.
- **Do not charge other battery packs.** The charger is only suitable for use with the supplied battery pack and with the voltages specified in the technical data. Otherwise, there is a risk of fire and explosion.
- **Under abusive conditions, liquid may be ejected from the battery.** Avoid contact. If contact accidentally occurs, flush with water. If liquid contacts eyes, additionally seek medical help. Liquid ejected from the battery may cause irritation or burns.
- **In case of damage and improper use of the battery, vapours may be emitted.** Provide for fresh air and seek medical help in case of complaints. The vapours can irritate the respiratory system.
- **Do not open the battery.**
There is danger of a short circuit.
- **Do not short-circuit the battery.**
There is danger of explosion.
- **Batteries must not be exposed to mechanical impacts.**
- **Protect electrical parts against moisture. To prevent an electric shock, never immerse them in water or other liquids during cleaning or operation.**
Never hold the charger under running water. Please observe the instructions for cleaning and maintenance.
- **The charger is only suited for indoor use.**
- **Keep the charger clean.**
Contamination entails a risk of electric shock.
- **Do not operate the charger on highly combustible ground (e.g. paper, textiles etc.) or in an inflammable environment.** The heat generated by the charger during charging entails a risk of fire.
- **Only use the charger for charging the battery.**
The charger must not be used as power supply for the power tool.

Intended use

Only use the device to vacuum dry or wet surfaces, dry or wet material or small amounts of liquids in the household or in the car whilst adhering to the technical data.

We recommend using the device with original Trotec accessories.

Foreseeable misuse

The device must only be used as intended. Any other use possibly exceeding the intended purpose is considered to be improper use. The user/operator shall be liable for any consequential damages or injuries resulting from improper use, not the manufacturer. Please bear in mind that this device is not designed for commercial and industrial applications or for use in craft enterprises. We do not accept any liability if the device is used in business, craft or industrial enterprises as well as for similar applications.

Do not use this device for vacuuming on people or animals.

The device must not be used with a damaged or without an inserted dust filter.

The device is not intended for vacuuming the following materials:

- lit matches
- ember
- cigarette stubs
- large or sharp objects or glass splinters
- stone dust
- plaster
- cement or similar particles
- combustible and/or aggressive materials or liquids
- harmful substances

The device may not be used in potentially explosive atmospheres, when wet or very humid.

Any other use than the one described in the chapter "Intended use" is regarded as reasonably foreseeable misuse.

Personnel qualifications

People who use this device must:

- be aware of the dangers that occur when working with electric devices in damp areas.
- have read and understood the operating manual, especially the Safety chapter.

Residual risks



Warning of electrical voltage

Electric shock from insufficient insulation.

Check the device for damages and proper functioning before each use.

If you notice damages, no longer use the device.

Do not use the device when the device or your hands are damp or wet!



Warning of electrical voltage

Work on the electrical components must only be carried out by an authorised specialist company!



Warning of electrical voltage

There is a risk of a short-circuit due to liquids penetrating the housing!

Do not immerse the device and the accessories in water. Make sure that no water or other liquids can enter the housing.



Warning of explosive substances

Do not expose the battery to temperatures above 45 °C! Do not let the battery come into contact with water or fire! Avoid direct sunlight and moisture. There is a risk of explosion!



Warning

Dangers can occur at the device when it is used by untrained people in an unprofessional or improper way! Observe the personnel qualifications!



Warning

The device is not a toy and does not belong in the hands of children.



Warning

Risk of suffocation!

Do not leave the packaging lying around. Children may use it as a dangerous toy.



Caution

Keep a sufficient distance from heat sources.

Note

If you store or transport the device improperly, the device may be damaged.

Note the information regarding transport and storage of the device.

Information about the device

Device description

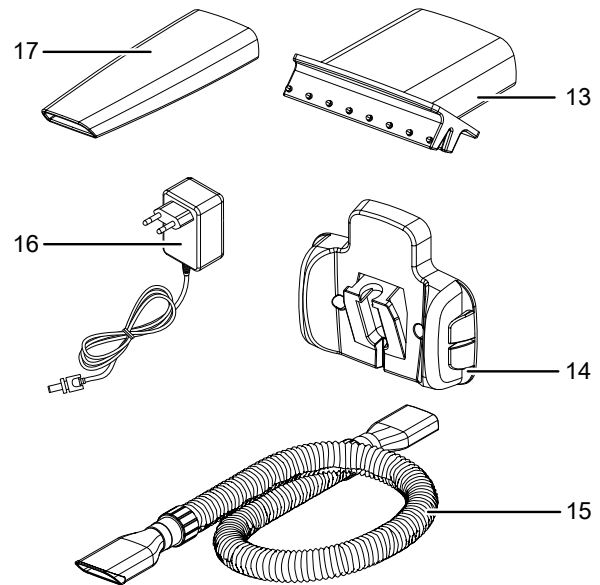
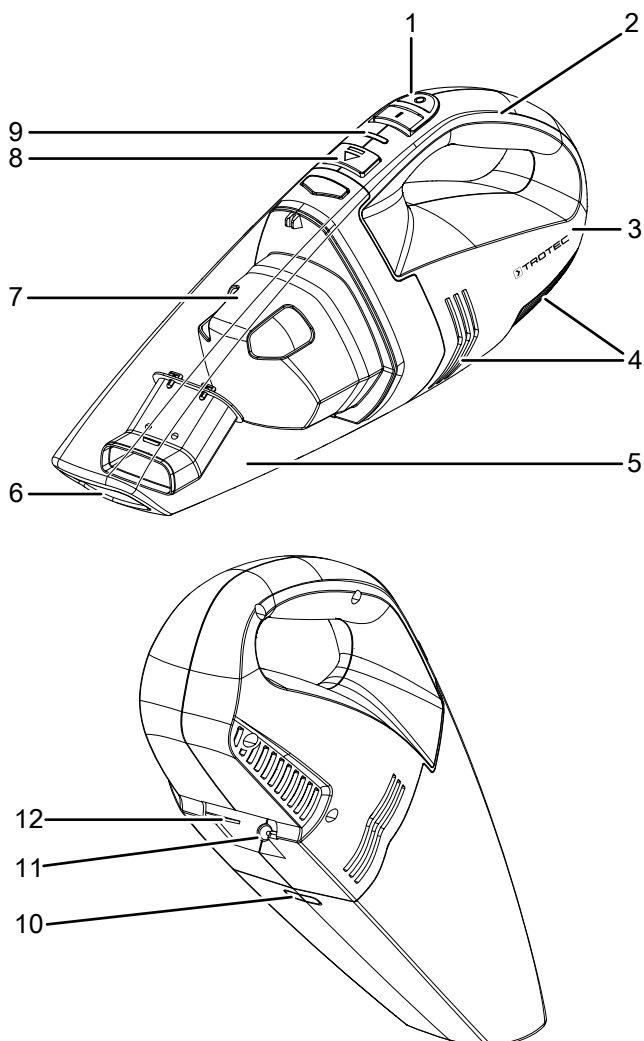
The device VC 10 E is suited for the vacuum-cleaning of dry or wet surfaces (using the additional squeegee nozzle), for vacuuming dry or wet material or small amounts of liquids in the household or in the car.

The device is equipped with a pre-installed filter bag, dust filter and collection container.

An extension hose may also be connected to the device to increase the usage flexibility and operating radius.

An additional crevice nozzle permits the convenient vacuum-cleaning of corners, joints and narrow gaps.

Device depiction

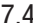

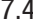






No.	Designation
1	On/off switch
2	Handle
3	Motor housing
4	Exhaust air slots
5	Collection container
6	Suction opening / suction nozzle retainer
7	Dust filter
8	Release button
9	Operating control lamp / battery level indication
10	Recess
11	Power adapter socket
12	Guide rail of the motor housing
13	Squeegee nozzle
14	Wall holder
15	Extension hose
16	Power adapter
17	Crevice nozzle

Scope of delivery

- 1 x Hand-held vacuum cleaner
- 1 x Dust filter
- 1 x Power adapter
- 1 x Squeegee nozzle
- 1 x Crevice nozzle
- 1 x Extension hose
- 1 x Wall holder
- 1 x Manual
- 2 x Wall plug
- 2 x Screw

Technical data

Parameter	Value
Model	VC 10 E
Nominal voltage	7.4 V  
Power consumption	40 W
Max. capacity of the dust container for:	
Dry dirt	400 ml
Liquids	150 ml
Max. runtime	12 minutes
Suction capacity	2.5 kPa
Protection class	III
Weight	0.680 kg
Hose length	101 cm
Dimensions (length x width x height)	9 x 37 x 13.5 cm
Battery (integrated)	
Type	Li-ion
Nominal voltage	7.4 V  
Capacity	1.3 Ah
Number of cells	2
Charger	
Input	
Nominal voltage	100 – 240 V / 50 – 60 Hz
Power consumption	8 W
Output	
Nominal voltage	9.6 V  
Charging current	300 mA
Charging time	5 to 6 h
Protection class	II / 

Transport and storage

Note

If you store or transport the device improperly, the device may be damaged.

Note the information regarding transport and storage of the device.

Transport

Before transporting the device, observe the following:

- Switch off the device.
- Hold onto the mains plug while pulling the power cable of the charger out of the mains socket.
- Allow the device to cool down.

The supplied Li-ion batteries are subjects to the requirements of dangerous goods legislation.

Observe the following when transporting or shipping Li-ion batteries:

- The user may transport the batteries by road without any additional requirements.
- If transport is carried out by third parties (e.g. air transport or forwarding company), special requirements as to packaging and labelling must be observed. This includes consulting a dangerous goods specialist when preparing the package.
 - Only ship batteries if their housing is undamaged.
 - Please also observe any other national regulations.

Storage

Before storing the device, observe the following:

- Switch off the device.
- Hold onto the mains plug while pulling the power cable of the charger out of the mains socket.
- Allow the device to cool down.
- Never store the device in a way that it could fall into a bathtub or sink.
- Clean the device as described in the Maintenance chapter.
- Do not store Li-ion batteries which are completely discharged. Storing discharged batteries can lead to a deep discharge and thus damage the battery.

When the device is not being used, observe the following storage conditions:

- dry and protected from frost and heat
- ambient temperature below 45 °C
- protected from dust and direct sunlight

Start-up

Unpacking the device

- Take the device and the accessories out of the packaging.
- Check the contents of the packaging for completeness and look for damages.



Warning of electrical voltage

Electric shock from insufficient insulation.
Check the device for damages and proper functioning before each use.
If you notice damages, no longer use the device.
Do not use the device when the device or your hands are damp or wet!



Warning

Risk of suffocation!
Do not leave the packaging lying around. Children may use it as a dangerous toy.

- Dispose of the packaging material according to the national regulations.

Charging the battery

Note

The battery can be damaged in case of improper charging.
Never charge the battery at ambient temperatures below 10 °C or above 40 °C.

The battery is partially charged upon delivery to avoid damage to the battery caused by a deep discharge.

The battery should be charged prior to initial start-up and when the battery is low (the LED of the operating control lamp / battery level indication (9) flashes red). To do so, please proceed as follows:

1. Make sure that the device is switched off.
2. Plug the barrel-type connector of the supplied power adapter into the power adapter socket (11) located beneath the motor housing.
3. Insert the mains plug into a properly secured mains socket.
 - ⇒ The operating control lamp / battery level indication (9) flashes red and the charging process begins.
 - ⇒ Charging requires approx. 5 to 6 hours.
4. Wait until the light of the battery level indication turns green.
 - ⇒ The battery is fully charged.
5. Unplug the power adapter (16) from the power adapter socket (11).
 - ⇒ The device and the power adapter may have become warm during charging.



Info

The device cannot be started when the charger is connected.

Checking the battery charging status

The charging status of the battery is displayed by the operating control lamp / battery level indication (9) as follows:

LED colour	Meaning
Green	The battery is fully charged.
Flashing green	The battery should be charged.
Flashing red	The battery is currently charging.

Using hose and nozzles



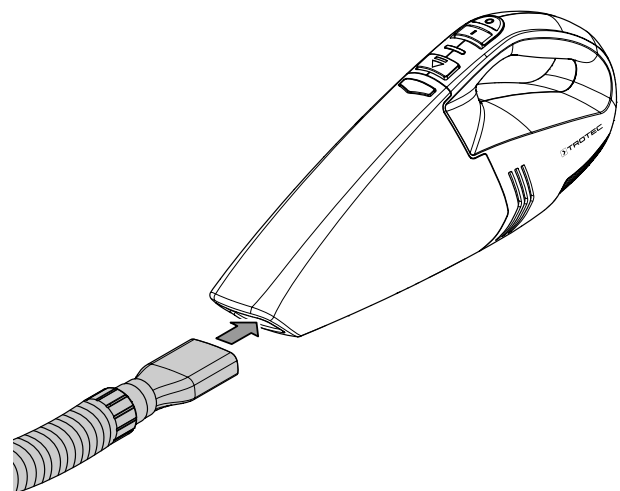
Hazardous electric current

Before any work on the device, remove the mains plug from the mains socket!
Hold onto the mains plug while pulling the power cable out of the mains socket.

Using the extension hose

Optionally, the device can be equipped with an extension hose (15). Please proceed as follows to attach the hose to the device:

- ✓ The device is switched off.
- 1. Connect the connector end of the extension hose (15) to the suction opening / suction nozzle retainer (6) of the device.



- ⇒ The device may now be used with the connected extension hose (15).

Using squeegee and crevice nozzle

The device can be equipped with one of the supplied nozzles: a squeegee nozzle (13) and a crevice nozzle (17). To do so, please proceed as follows:

- ✓ The device is switched off.
- 1. Insert the connection end of the desired nozzle into the suction opening / suction nozzle retainer (6) of the device.
- 2. Please observe that the collection container (5) must point downwards when using the squeegee nozzle.
- 3. For the squeegee nozzle, also observe the MAX indication on the collection container (5). The sucked in liquid must not exceed this mark.
 - ⇒ The device may now be used with the connected nozzle.

Mounting the wall holder



Warning

Risk of electric shock!

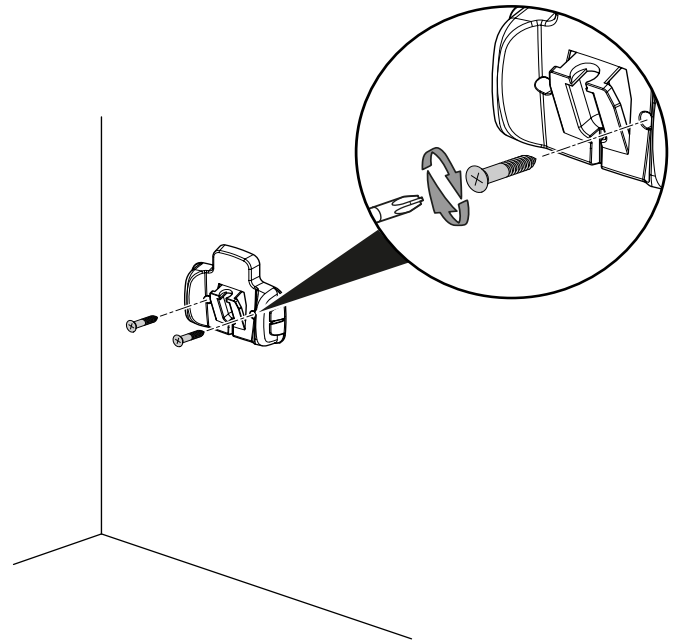
Before drilling the holes, make sure that there are no electrical lines or water pipes located in the wall at the desired position for the supplied wall holder (14). If electrical lines or water pipes are damaged in the course of the wall holder assembly, there is a risk of electric shock.

Note

The wall holder must not be subjected to direct sunlight or other heat sources to prevent damaging of the device.

Once the supplied wall holder (14) is mounted to a suitable wall, the device may be attached for storage. Furthermore, the wall holder may be used as charging station, since the charging cable can also be connected to the device via the wall holder. Please proceed as follows to mount the wall holder:

1. Use the supplied screws and wall plugs to mount the wall holder (14) included in the scope of delivery to the wall.

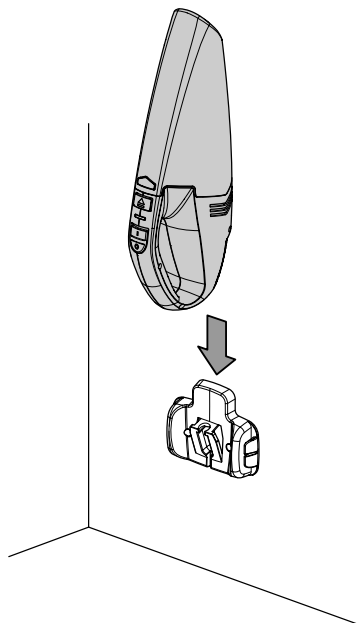


2. Check the wall holder (14) for tight fit.
 - ⇒ The wall holder (14) may now be used to store and charge the device there.

Putting the device into the wall holder

Please proceed as follows to put the device into the wall holder (14) for storage.

- ✓ The device is switched off.
- 1. Attach the device to the wall holder (14) by sliding it on vertically from above with the guide rail of the motor housing (12).
- 2. Make sure that the guide rail of the motor housing (12) rests completely on the guide rail of the wall holder (14).

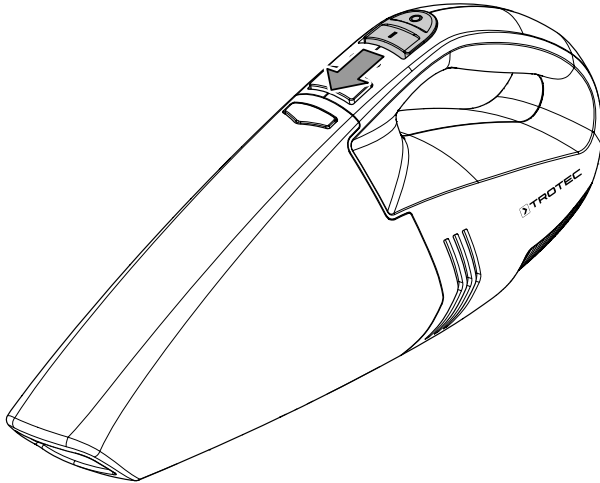


Operation

Switching the device on and off

Switching the device on

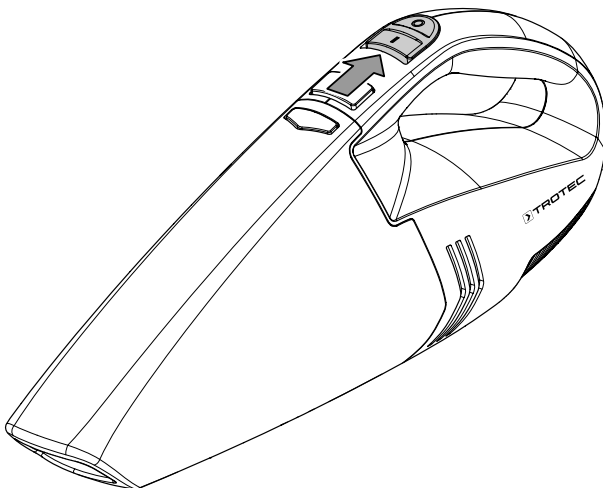
1. Slide the on/off switch (1) forward to **I**.



- ⇒ The operating control lamp / battery level indication (9) is illuminated in green.
- ⇒ The device is switched on and operating.

Switching the device off

1. Slide the on/off switch (1) backward to **0**.



- ⇒ The operating control lamp / battery level indication (9) is no longer illuminated.
- ⇒ The device is switched off.

Shutdown



Warning of electrical voltage

Do not touch the mains plug with wet or damp hands.

- Switch off the device.
- Hold onto the mains plug while pulling the power cable of the charger out of the mains socket.
- Clean the device according to the Maintenance chapter.
- Store the device according to the Storage chapter.

Errors and faults

The device has been checked for proper functioning several times during production. If malfunctions occur nonetheless, check the device according to the following list.

Troubleshooting tasks which require the housing to be opened must only be carried out by an authorized specialist electrical company or by Trotec.

Light smoke or odour is emitted during the first use:

- This is not a fault. These phenomena disappear after a brief runtime.

The battery does not charge:

- Check whether the device is correctly connected to the charger and whether the charger is correctly connected to the power supply.
- Check the power connection.
- Check the power cable and mains plug for damages.
- Check the fuse (home).
- Check the charger for damages. Should the charger be damaged, stop using it. Contact the Trotec customer service.
- Check the charger connection for dirt. Remove any dirt.
- The battery might be defective. Contact the Trotec customer service.

The device becomes hot:

- Keep the venting slots clear to prevent the motor from overheating.
- Wait for at least 10 minutes before switching the device back on.

The device does not start:

- The battery power might be too low. Recharge the battery.
- Check the charger and charging socket for dirt. Remove any dirt.
- Check whether the charger is connected. If the charger is connected, the device will not start.



Info

Wait for at least 10 minutes before switching the device back on.

Note

Wait for at least 3 minutes after maintenance and repair work. Only then switch the device back on.

Your device still does not operate correctly after these checks?

Please contact the customer service. If necessary, bring the device to an authorized specialist electrical company or to Trotec for repair.

Maintenance

Activities required before starting maintenance



Warning of electrical voltage

Do not touch the mains plug of the charger with wet or damp hands.

- Switch the device off.
- Hold onto the mains plug while pulling the power cable of the charger out of the mains socket.
- Allow the device to cool down completely.



Warning of electrical voltage

Maintenance tasks which require the housing to be opened must only be carried out by authorised specialist companies or by Trotec.

Notes on maintenance

Inside the device, there are no parts that need to be maintained or lubricated by the user.

Cleaning

The device should be cleaned before and after each use.

Note

The device does not have to be lubricated after cleaning.



Warning of electrical voltage

There is a risk of a short-circuit due to liquids penetrating the housing!
Do not immerse the device and the accessories in water. Make sure that no water or other liquids can enter the housing.

- Clean the device with a soft, damp and lint-free cloth. Make sure that no moisture enters the housing. Protect electrical components from moisture. Do not use any aggressive cleaning agents such as cleaning sprays, solvents, alcohol-based or abrasive cleaners to dampen the cloth.
- Dry the device with a soft, lint-free cloth.
- Keep the connecting terminals on the device and charger clean.
- Keep the ventilation openings free from dust deposits to prevent overheating of the motor.



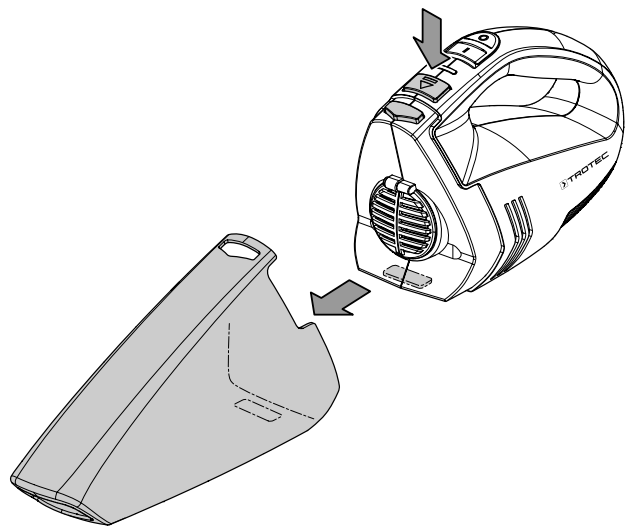
Info

Empty the collection container (5) and clean the dust filter (7) after each application to prevent a motor overload and so as not to reduce the device efficiency.

Emptying the collection container

Please proceed as follows to empty the collection container:

- ✓ The device is switched off.
- 1. Hold the device so that the collection container (5) points downwards.
- 2. To open the collection container, press the release button (8) and remove the collection container (5).



- 3. Remove the dust filter (7) from the collection container (5).
- 4. Empty the collection container (5) and rinse it with water, if necessary.
- 5. Reattach the collection container (5) to the motor housing (3) as described in Connecting motor housing and collection container.

Cleaning the dust filter

Please proceed as follows to clean the dust filter:

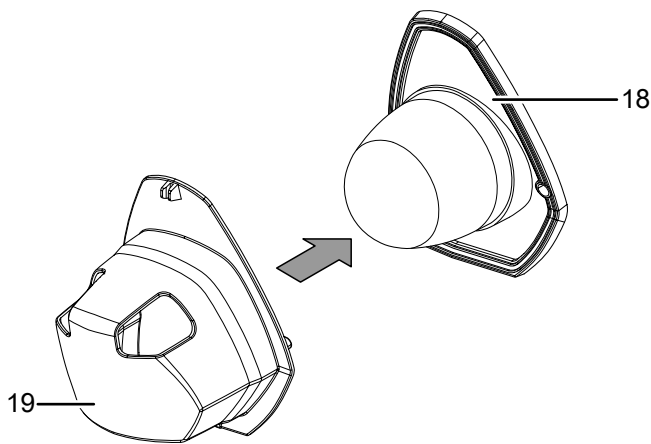
- 1. Remove the dust filter (7) from the collection container (5).
- 2. Pull the filter bag with the holding fixture (18) out of the dust filter housing (19).

3. Remove coarse dirt and rinse the filter bag (18) with cold water. Allow the dust filter to air-dry. Wait until the filter bag (18) has dried completely before reinserting it in the dust filter housing (19).
4. Insert the filter bag with the holding fixture (18) into the dust filter housing (19) as described in the Start-up chapter.
5. Reinsert the dust filter (7) into the device as described in the Start-up chapter.

Connecting dust filter and collection container

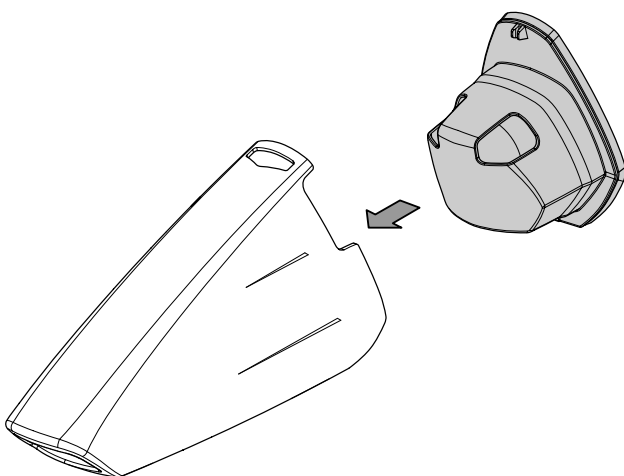
Before start-up, the dust filter needs to be reassembled and inserted in the collection container (5). To do so, please proceed as follows:

1. Connected the filter bag with the holding fixture (18) to the dust filter housing (19).



⇒ The dust filter (7) is now assembled and can be inserted in the collection container (5).

2. Slide the dust filter (7) into the collection container (5) until it is held securely by the integrated guides inside the collection container (5).

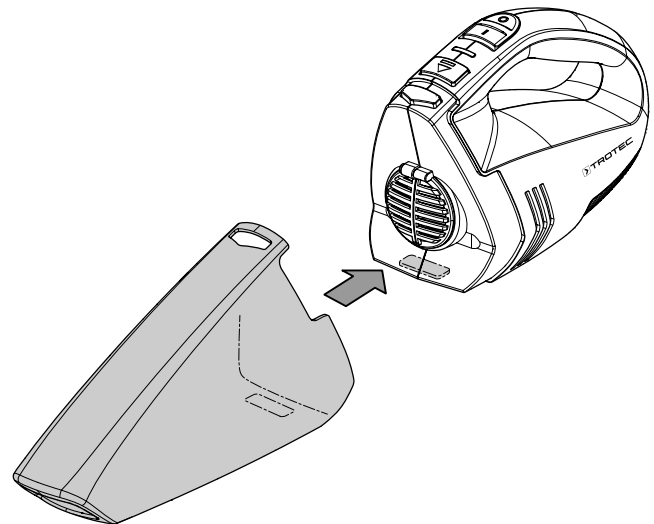


⇒ The collection container (5) may now be connected to the motor housing (3).

Connecting motor housing and collection container

Before start-up, the motor housing (3) needs to be connected to the collection container (5). To do so, please proceed as follows:

1. Fit the collection container (5) onto the motor housing (3) in a way that the recess (10) at the bottom of the collection container is seated on the tongue beneath the motor housing.
2. Slide the collection container (5) onto the motor housing until the release button (8) snaps into place.



3. Check whether the collection container (5) is firmly seated on the motor housing (3).

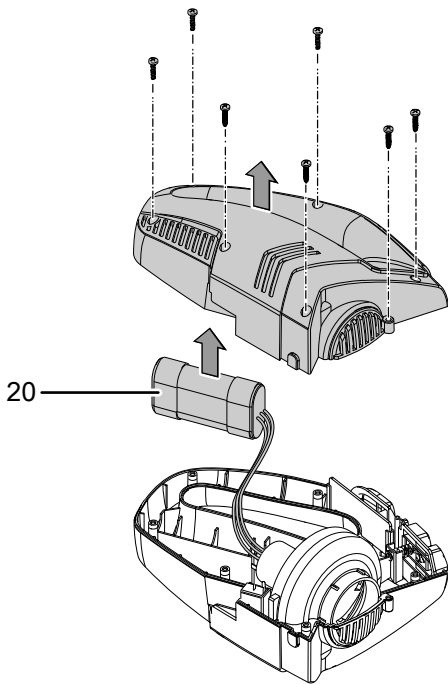
⇒ Collection container (5) and motor housing (3) are connected.

Disassembly

Battery removal and disposal

1. Completely discharge the battery by letting the device run until the motor stops.
2. Loosen the 7 screws at the motor housing (3).
3. Open the motor housing (3).
4. **Version A (without plug connection):** Hold onto the battery (20) and disconnect the wiring by means of a wire cutter. Insulate the severed wire ends of the battery with tape to prevent a short circuit.

Version B (with plug connection): Hold onto the battery (20) and disconnect the plug connections of the wiring.



5. Dispose of the battery and the device as described in the Disposal chapter.

Disposal



The icon with the crossed-out waste bin on waste electrical or electronic equipment stipulates that this equipment must not be disposed of with the household waste at the end of its life. You will find collection points for free return of waste electrical and electronic equipment in your vicinity. The addresses can be obtained from your municipality or local administration. For further return options provided by us please refer to our website www.trotec24.com.

The separate collection of waste electrical and electronic equipment aims to enable the re-use, recycling and other forms of recovery of waste equipment as well as to prevent negative effects for the environment and human health caused by the disposal of hazardous substances potentially contained in the equipment.



In the European Union, batteries and accumulators must not be treated as domestic waste, but must be disposed of professionally in accordance with Directive 2006/66/EC of the European Parliament and of the Council of 6 September 2006 on batteries and accumulators. Please dispose of batteries and accumulators according to the relevant legal requirements.

Trotec GmbH

Grebener Str. 7
D-52525 Heinsberg

☎ +49 2452 962-400

☎ +49 2452 962-200

✉ info@trotec.com

www.trotec.com