

EN

INSTRUCTIONS
THERMOHYGROMETER



Table of contents

Information on the use of these instructions 2

Safety 2

Information about the device 4

Transport and storage 5

Operation 5

Maintenance and repair 7

Disposal 8

You can download the current version of the instructions and the EU declaration of conformity via the following link:



BZ05



<https://hub.trotec.com/?id=44140>

Information on the use of these instructions

Symbols



Warning of electrical voltage

This symbol indicates dangers to the life and health of persons due to electrical voltage.



Warning

This signal word indicates a hazard with an average risk level which, if not avoided, can result in serious injury or death.



Caution

This signal word indicates a hazard with a low risk level which, if not avoided, can result in minor or moderate injury.

Notice

This signal word indicates important information (e.g. material damage), but does not indicate hazards.



Info

Information marked with this symbol helps you to carry out your tasks quickly and safely.



Follow the manual

Information marked with this symbol indicates that the instructions must be observed.

Safety

Read this manual carefully before starting or using the device. Always store the manual in the immediate vicinity of the device or its site of use.



Warning

Read all safety warnings and all instructions.

Failure to follow the warnings and instructions may result in electric shock, fire and/or serious injury.

Save all warnings and instructions for future reference.

- Do not use the device in potentially explosive rooms or areas and do not install it there.
- Do not use the device in an aggressive atmosphere.
- Do not immerse the device in water. Do not allow liquids to penetrate into the device.
- The device may only be used in dry surroundings and must not be used in the rain or at a relative humidity exceeding the operating conditions.
- Protect the device from permanent direct sunlight.
- Do not expose the device to strong vibrations.
- Do not open the device.
- Do not remove any safety signs, stickers or labels from the device. Keep all safety signs, stickers and labels in legible condition.
- Use batteries of type AAA.
- Never charge batteries that cannot be recharged.
- Different types of batteries and new and used batteries must not be used together.
- Insert the batteries into the battery compartment according to the correct polarity.
- Remove discharged batteries. Batteries contain materials hazardous to the environment. Dispose of the batteries according to the national regulations.
- Remove the batteries from the device if you will not be using the device for a longer period of time.

- Never short-circuit the supply terminal in the battery compartment!
- Do not swallow batteries! If a battery is swallowed, it can cause severe internal burns within 2 hours! These burns can lead to death!
- If you think batteries might have been swallowed or otherwise entered the body, seek medical attention immediately!
- Keep new and used batteries and an open battery compartment away from children.
- Observe the storage and operating conditions (see Technical data).

Intended use

Only use the device to measure the indoor air temperature and humidity. Observe and comply with the technical data.

Any use other than the intended use is regarded as misuse.

Reasonably foreseeable misuse

Do not use the device out of doors.

Do not use the device in potentially explosive areas.

Any unauthorised changes, modifications or alterations to the device are forbidden.

Personnel qualification

People who use this device must:

- have read and understood the instructions, especially the Safety chapter.

Residual risks



Warning of electrical voltage

There is a risk of a short-circuit due to liquids penetrating the housing!

Do not immerse the device and the accessories in water. Make sure that no water or other liquids can enter the housing.



Warning of electrical voltage

Work on the electrical components must only be carried out by an authorised specialist company!



Warning

Risk of suffocation!

Do not leave the packaging lying around. Children may use it as a dangerous toy.



Warning

The device is not a toy and does not belong in the hands of children.



Warning

Dangers can occur at the device when it is used by untrained people in an unprofessional or improper way! Observe the personnel qualifications!



Caution

Keep a sufficient distance from heat sources.

Notice

To prevent damages to the device, do not expose it to extreme temperatures, extreme humidity or moisture.

Notice

Do not use abrasive cleaners or solvents to clean the device.

Information about the device

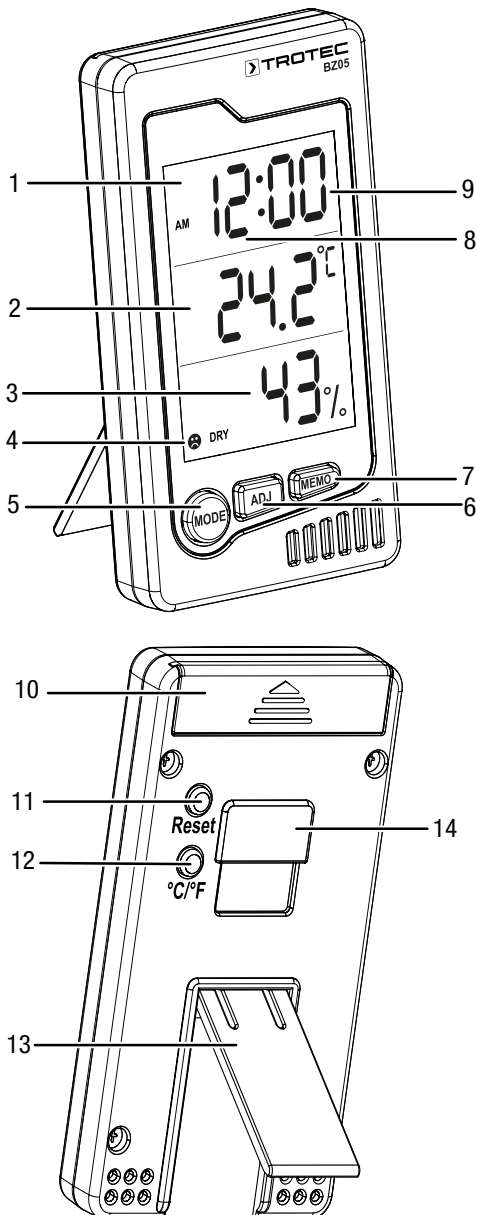
Device description

The thermohygrometer is a battery-powered measuring device indicating the current indoor climate.

It comes with the following functional properties and equipment features:

- Simultaneous indication of time or date, room temperature, feel-good indication and humidity level
- Alarm function
- Indication of recorded minimum and maximum values for temperature and relative humidity
- Switching option between °C and °F
- Reset function
- Integrated stand for table installation
- Holder for wall mounting

Device depiction



No.	Designation
1	Time/date/wake-up time indication
2	Temperature indication
3	Relative humidity indication
4	Feel-good indication
5	MODE button
6	ADJ button
7	MEMO button
8	Hour indication
9	Minute indication
10	Battery compartment
11	RESET button
12	°C/°F button
13	Fold-out stand
14	Holder for wall mounting

Technical data

Parameter	Value
Model	BZ05
Display	LCD (monochrome)
Relative humidity	
Measuring range	10 % RH to 90 % RH
Accuracy	± 5 % RH
Resolution	1 %
Air temperature	
Measuring range	0 °C to 50 °C or 32 °F to 122 °F
Accuracy	± 1 °C or ± 1.8 °F
Resolution	0.1 °C/°F
Ambient conditions	
Operation	0 °C to 50 °C or 32 °F to 122 °F with up to 80 % RH (non-condensing)
Storage	-20 °C to 60 °C or -4 °F to 140 °F with up to 80 % RH (non-condensing)
Power supply	1 battery of type AAA, 1.5 V
Dimensions (height x width x depth)	approx. 108 mm x 60 mm x 15 mm
Weight (incl. battery)	approx. 74 g

Scope of delivery

- 1 x Device BZ05 (without batteries)
- 1 x Manual

Transport and storage

Notice

If you store or transport the device improperly, the device may be damaged.

Note the information regarding transport and storage of the device.

Transport

When transporting the device, ensure dry conditions and protect the device from external influences e.g. by using a suitable bag.

Storage

When the device is not being used, observe the following storage conditions:

- dry and protected from frost and heat
- protected from dust and direct sunlight
- at the temperature specified in the technical data
- battery is removed from the device

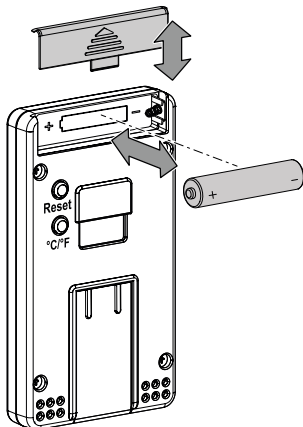
Operation

Inserting the battery

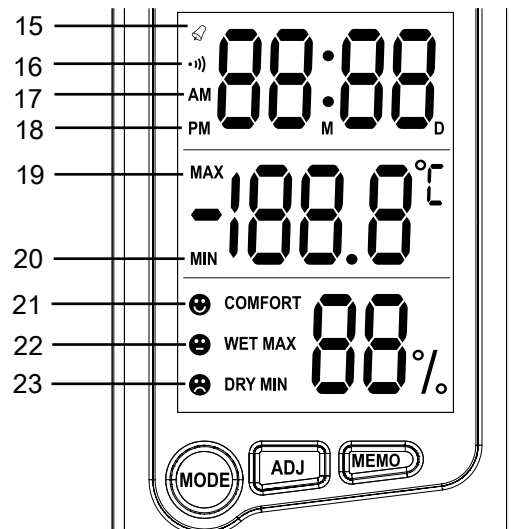
Notice

Make sure that the surface of the device is dry.

Insert a suitable battery before first use as follows:



Reading the display



No.	Indication	Meaning
15	<i>Alarm</i>	Alarm activated.
16	<i>Hourly alarm</i>	Hourly alarm activated.
17	<i>AM</i>	The time shown is in the morning (12-hour format).
18	<i>PM</i>	The time shown is in the afternoon (12-hour format).
19	<i>MAX</i>	The maximum value since the last reset is displayed.
20	<i>MIN</i>	The minimum value since the last reset is displayed.
21	<i>COMFORT</i>	Ambient temperature is between 20 °C and 26 °C, relative humidity is between 50 % and 70 %.
22	<i>WET MAX</i>	The relative humidity level is higher than 70 % (temperature-independent).
23	<i>DRY MIN</i>	The relative humidity level is lower than 50 % (temperature-independent).

1. Open the battery compartment (10) at the rear of the device towards the direction of the arrow.
2. Insert the new battery in the compartment with correct polarity.
3. Close the battery compartment (10) at the rear of the device.

Feel-good indication

If the relative ambient temperature ranges between 20 °C and 26 °C (68 °F and 78.8 °F) and the relative humidity is between 50 % and 70 %, the *COMFORT* symbol for feel-good indication (21) appears on the display.

If the relative humidity exceeds 70 %, the *WET MAX* symbol (22) appears on the display regardless of the temperature and indicates that the humidity level is too high.

If the relative humidity falls below 50 %, the *DRY MIN* symbol (23) appears on the display regardless of the temperature and indicates that the humidity level is too low.

Notice

Always make sure that the humidity level ranges from 50 % and 70 %.

If the relative humidity level is too low, this can often lead to headaches and the mucous membranes drying out, especially of nose and eyes. As a vicious cycle, this irritation increases the vulnerability for pathogens to exploit, and is therefore often the ideal basis for infections.

If the relative humidity level is too high, this will have negative impacts on the wellbeing of persons with a poor cardiovascular system in particular. Besides, in closed rooms that are insufficiently ventilated, there is an increased risk of mould growth which actually presents another risk for your health.

Therefore, always make sure that all rooms are well and regularly ventilated and ensure a healthy ratio of temperature and relative humidity.

Minimum and maximum values

The device saves the minimum and maximum values for temperature and relative humidity.

1. Press the *MEMO* button (7) to display all measured maximum values (19) that have been measured since the last reset.
2. Press the *MEMO* button (7) again to display all measured minimum values (20) that have been measured since the last reset.
3. Press the *MEMO* button (7) again to exit the mode and to go to the standard display mode.

Notice

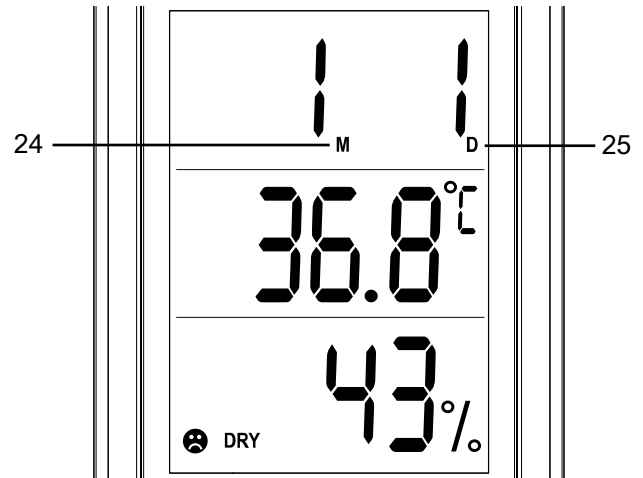
If you do not exit the display of the maximum and minimum values by pressing the *MEMO* button (7), the device will automatically switch back to the standard display mode after 10 seconds.

Switching the temperature indication between °C and °F

Press the °C/°F button (12) at the rear of the device to switch between °C and °F.

Basic settings

Setting time, hour format and date



No.	Indication
24	Month
25	Day



Info

You can readjust a value more quickly by means of the *ADJ* button (6) if you keep this button pressed.

Please proceed as follows to set time and date:

1. Press the *MODE* button (5) for approx. 2 seconds.
⇒ The *Minute* indication (9) flashes.
2. Press the *ADJ* button (6) to adjust the minutes.
3. Press the *MODE* button (5) to switch to the *Hour* indication (8).
⇒ The *Hour* indication (8) flashes.
4. Press the *ADJ* button (6) to set the hours.
5. Press the *MODE* button (5) to switch to the hour format setting (12/24).
⇒ The previously set format starts flashing on the display.
6. Press the *ADJ* button (6) to set the desired hour format.
⇒ If you select the 12-hour format, all times between 0:00 and 12:00 will be displayed with the symbol *AM* (17) next to them. Times between 12:00 o'clock and 24:00 o'clock will be displayed with the symbol *PM* (18) next to them.
7. Press the *MODE* button (5) to switch to the *Month* indication (24).
⇒ The *Month* indication (24) flashes.
8. Press the *ADJ* button (6) to set the month.
9. Press the *MODE* button (5) to switch to the *Day* indication (25).
⇒ The *Day* indication (25) flashes.
10. Press the *ADJ* button (6) to set the day.
⇒ Time and date are now set.
11. Press the *MODE* button (5) to exit the setting mode.

Display wake-up time

- ✓ The *Time/date/wake-up time* indication (1) shows the time. Both points between hour and minute display are flashing.
- 1. Briefly press the *MODE* (5) button.
 - ⇒ The *Time/date/wake-up time* indication (1) changes from indicating the time to indicating the wake-up time.
 - ⇒ Both points between hour and minute display stop flashing.

Notice

If no settings are made regarding the wake-up time, the display changes back to the indication of the time after one minute.

Setting and activating the alarm clock



Info

You can readjust a value more quickly by means of the *ADJ* button (6) if you keep this button pressed.

Please proceed as follows to set the wake-up time:

1. Switch over to the wake-up time display by pressing the *MODE* button (5).
 - ⇒ The *Time/date/wake-up time* indication (1) changes from indicating the time to indicating the wake-up time.
 - ⇒ Both points between hour and minute display stop flashing.
2. Press the *MODE* button (5) for approx. 2 seconds.
 - ⇒ The *Minute* indication (9) flashes.
3. Press the *ADJ* button (6) to adjust the minutes.
4. Press the *MODE* button (5) to switch to the *Hour* indication (8).
 - ⇒ The *Hour* indication (8) flashes.
5. Press the *ADJ* button (6) to set the hours.
 - ⇒ The wake-up time is set.
6. Press the *MODE* button (5) to exit the setting mode.
 - ⇒ The alarm clock is activated.
 - ⇒ The *Alarm* symbol (15) appears next to the wake-up time set.

Switching off and deactivating the alarm clock

Notice

The alarm will stop automatically after 1 minute if no button is pressed.

1. To switch off the ringing alarm, press one of the buttons on the front of the device.
2. In order to permanently deactivate the wake-up function, press the *ADJ* button (6) three times.
 - ⇒ The *Alarm* symbol (15) is no longer displayed. The alarm clock is deactivated.

Activate and deactivate hourly alarm

1. Press the *ADJ* button (6) twice to activate the hourly alarm.
 - ⇒ An acoustic signal is emitted every full hour.
 - ⇒ The *Hourly alarm* symbol (16) appears in the display.
2. In order to permanently deactivate the hourly alarm, press the *ADJ* button (6) twice.
 - ⇒ The *Hourly alarm* symbol (16) is no longer displayed. The hourly alarm is deactivated.

Resetting the system

To reset the system of the device to the default configuration, press the *RESET* (11) button at the rear of the device.

Afterwards, the device will return to the preset default mode. All stored settings have been deleted.

Maintenance and repair

Battery change

A battery change is required if the values on the display are no longer or only partly visible. See chapter Operation.

Cleaning

Clean the device with a soft, damp and lint-free cloth. Make sure that no moisture enters the housing. Do not use any sprays, solvents, alcohol-based cleaning agents or abrasive cleaners, but only clean water to moisten the cloth.

Repair

Do not modify the device or install any spare parts. For repairs or device testing, contact the manufacturer.

Disposal

Always dispose of packing materials in an environmentally friendly manner and in accordance with the applicable local disposal regulations.



The icon with the crossed-out wheeled bin indicates that this device and any associated components (e.g. remote controls) must not be disposed of with household waste at the end of their life, in accordance with the Waste Electrical and Electronic Equipment Directive (2012/19/EU) and national laws.

You will find collection points for free return of waste electrical and electronic equipment in your vicinity. The addresses can be obtained from your municipality or local administration. You can also find out about other return options that apply for many EU countries on the website <https://hub.trotec.com/?id=45090>. Otherwise, please contact an official recycling centre for electronic and electrical equipment authorised for your country.

The separate collection of waste electrical and electronic equipment aims to enable the re-use, recycling and other forms of recovery of waste equipment as well as to prevent negative effects for the environment and human health caused by the disposal of hazardous substances potentially contained in the equipment.



This icon with the crossed-out wheeled bin indicates that batteries or accumulators must not be disposed of with household waste at the end of their life. If the device contains batteries or accumulators that contain mercury, cadmium or lead, the respective chemical symbol (Hg, Cd or Pb) is shown below the icon of the crossed-out wheeled bin. To prevent environmental pollution, do not carelessly leave batteries or electrical and electronic equipment containing batteries in public areas. In the European Union, batteries and accumulators must be returned to a designated collection point in accordance with REGULATION (EU) 2023/1542 OF THE EUROPEAN PARLIAMENT AND OF THE COUNCIL of 12 July 2023 concerning batteries and waste batteries. Remove batteries/accumulators and dispose of them separately according to the relevant legal requirements.

Only for United Kingdom

According to Waste Electrical and Electronic Equipment Regulations 2013 (SI 2013/3113) (as amended) and the Waste Batteries and Accumulators Regulations 2009 (SI 2009/890) (as amended), devices that are no longer usable must be collected separately and disposed of in an environmentally friendly manner.

Trotec GmbH

Grebener Str. 7
D-52525 Heinsberg

📞 +49 2452 962-400

📠 +49 2452 962-200

info@trotec.com

www.trotec.com