

EN

OPERATING MANUAL  
AIR COOLER



**Table of contents**

Notes regarding the operating manual..... 2

Safety ..... 2

Information about the device..... 5

Transport and storage..... 6

Assembly and start-up..... 6

Operation ..... 8

Available accessories..... 11

Errors and faults..... 12

Maintenance ..... 13

Technical annex..... 16

Disposal ..... 16

**Notes regarding the operating manual**

**Symbols**



**Warning of electrical voltage**

This symbol indicates dangers to the life and health of persons due to electrical voltage.



**Warning**

This signal word indicates a hazard with an average risk level which, if not avoided, can result in serious injury or death.



**Caution**

This signal word indicates a hazard with a low risk level which, if not avoided, can result in minor or moderate injury.

**Note**

This signal word indicates important information (e.g. material damage), but does not indicate hazards.



**Info**

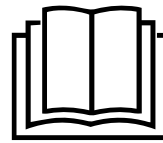
Information marked with this symbol helps you to carry out your tasks quickly and safely.



**Follow the manual**

Information marked with this symbol indicates that the operating manual must be observed.

You can download the current version of the operating manual and the EU declaration of conformity via the following link:



PAE 25



<https://hub.trotec.com/?id=41090>

**Safety**

**Read this manual carefully before starting or using the device. Always store the manual in the immediate vicinity of the device or its site of use.**



**Warning**

**Read all safety warnings and all instructions.**

Failure to follow the warnings and instructions may result in electric shock, fire and/or serious injury.

**Save all warnings and instructions for future reference.**

This appliance can be used by children aged from 8 years and above and persons with reduced physical, sensory or mental capabilities or lack of experience and knowledge if they have been given supervision or instruction concerning use of the appliance in a safe way and understand the hazards involved.

Children shall not play with the appliance. Cleaning and user maintenance shall not be made by children without supervision.

- Do not use the device in potentially explosive rooms or areas and do not install it there.
- Do not use the device in aggressive atmosphere.
- Only put up the device in an upright, stable position on firm ground.
- Let the device dry out after a wet clean. Do not operate it when wet.
- Do not use the device with wet or damp hands.
- Do not expose the device to directly squirting water.
- Never insert any objects or limbs into the device.
- Do not cover or transport the device during operation.
- Do not sit on the device.
- This appliance is not a toy! Keep away from children and animals. Do not leave the device unattended during operation.
- Check accessories and connection parts for possible damage prior to every use of the device. Do not use any defective devices or device parts.

- Ensure that all electric cables outside of the device are protected from damage (e.g. caused by animals). Never use the device if electric cables or the power connection are damaged!
- The electrical connection must correspond to the specifications in chapter Technical data.
- Insert the mains plug into a properly secured mains socket.
- Observe the device's power input, cable length and intended use when selecting extensions to the power cable. Completely unroll extension cables. Avoid electrical overload.
- Before carrying out maintenance, care or repair work on the device, remove the mains plug from the mains socket. Hold onto the mains plug while doing so.
- Switch the device off and disconnect the power cable from the mains socket when the device is not in use.
- Do not under any circumstances use the device if you detect damages on the mains plug or power cable. If the supply cord is damaged, it must be replaced by the manufacturer, its service agent or similarly qualified persons in order to avoid a hazard.  
Defective power cables pose a serious health risk!
- When positioning the device, observe the minimum distances from walls and other objects as well as the storage and operating conditions specified in the Technical data chapter.
- Make sure that the air inlet and outlet are not obstructed.
- Make sure that the suction side is kept free of dirt and loose objects.
- Do not remove any safety signs, stickers or labels from the device. Keep all safety signs, stickers and labels in legible condition.
- Only transport the device in an upright position with an emptied water tank.
- Empty the water tank before transport and storage. Do not drink the water. Health hazard!
- Note that high humidity levels may enhance the growth of biological organisms in the environment.
- Make sure that objects in the surroundings of the device do not become wet or damp. If moisture is present, the output must be reduced. If the output cannot be reduced, the device must only be operated in intervals. Absorbent materials such as carpeting, curtains, sheers or tablecloths must not become damp.
- Make sure that the water in the water tank is replaced every 3 days. Otherwise there is a risk of microorganisms growing in the water tank which presents a health hazard if they get into the air or water.
- Only fill the water tank with fresh drinking water, ice cubes made of fresh drinking water and / or suitable ice packs.
- Ice packs are not toys. Keep away from children and animals.
- Never open an ice pack. The liquid inside the ice packs can be harmful to health.
- Do not eat the ice that may form on the ice packs. Health hazard!
- Do not insert rechargeable batteries into the remote control.

### Intended use

Only use the device for cooling the air in interior spaces while adhering to and following the technical data.

Intended use comprises cooling the air in:

- living spaces
- museums
- warehouses and archives
- libraries
- call centres and computer rooms

### Improper use

- Do not place the device on wet or flooded ground.
- Do not place any objects, e.g. clothing, on the device.
- Do not use the device outdoors.
- Any unauthorised modifications, alterations or structural changes to the device are forbidden.
- Any operation other than as described in this manual is prohibited. Non-observance renders all claims for liability and guarantee null and void.

### Personnel qualifications

People who use this device must:

- be aware of the dangers that occur when working with electric devices in damp areas.
- have read and understood the operating manual, especially the Safety chapter.


Maintenance tasks which require the housing to be opened must only be carried out by specialist electrical companies or by Trotec.


**Safety signs and labels on the device**

**Note**

Do not remove any safety signs, stickers or labels from the device. Keep all safety signs, stickers and labels in legible condition.

The following safety signs and labels are attached to the device:

Symbols	Meaning
	This symbol located on the device indicates that the filter has to be checked and, if necessary, to be cleaned prior to each operation. Replace the filter if it is defective. Do not insert a wet filter into the device. Wait until the filter has dried.

Symbols	Meaning
	This symbol located on the device indicates that the water tank should be cleaned every 3 days. Change the water in the water tank every 3 days. Disconnect the device from the mains before cleaning the water tank.

**Residual risks**



**Warning of electrical voltage**

Work on the electrical components must only be carried out by an authorised specialist company!



**Warning of electrical voltage**

Before any work on the device, remove the mains plug from the mains socket!  
Hold onto the mains plug while pulling the power cable out of the mains socket.



**Warning**

The liquid inside the ice packs can be harmful to health!  
If the liquid was swallowed, immediately seek medical attention.  
If the liquid came into contact with your eyes, rinse with water and immediately consult an ophthalmologist.



**Warning**

Dangers can occur at the device when it is used by untrained people in an unprofessional or improper way!  
Observe the personnel qualifications!



**Warning**

The device is not a toy and does not belong in the hands of children.



**Warning**

Risk of suffocation!  
Do not leave the packaging lying around. Children may use it as a dangerous toy.

**Note**

Do not operate the device without an air filter inserted into the air inlet!  
Without the air filter, the inside of the device will be heavily contaminated. This could reduce the performance and result in damage to the device.

**Behaviour in the event of an emergency**

1. Switch off the device.
2. In an emergency, disconnect the device from the mains feed-in: Hold onto the mains plug while pulling the power cable out of the mains socket.
3. Do not reconnect a defective device to the mains.

## Information about the device

### Description of the device

The air cooler lowers the room temperature to a comfortable degree by evaporation-based cooling.

The device is filled with cold water or optionally with ice cubes and / or ice packs in order to cool down the incoming warm air at the evaporation filter and to blow out the cold air thus generated via the fan.

Besides its cooling function, the device can also be used for air freshening: thanks to an integrated air filter and the evaporation filter's honeycomb structure, the sucked-in air is filtered and humidified.

The fan speed can be set to four stages.

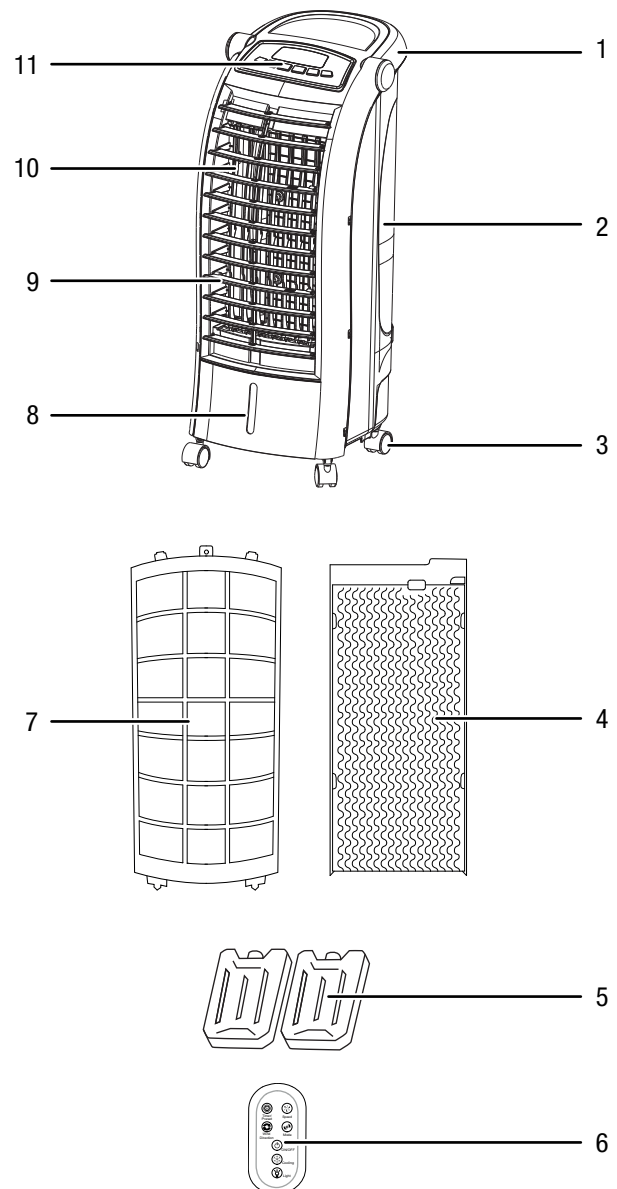
The discharge direction of the cooled air can be manually adjusted via the ventilation flaps as well as via the optionally selectable automatic swing mode.

The device has a night mode enabling ultra-silent operation at bedtime.

The device can be operated via the control panel at the device or via the infrared remote control.

Moreover, using the timer function, the device can be switched on or off automatically with time delay.

### Device depiction



No.	Designation
1	Transport handle
2	Air inlet with air filter and evaporation filter
3	Wheels
4	Evaporation filter
5	Ice packs
6	Remote control
7	Air filter
8	Water tank with filling level indicator
9	Air outlet with adjustable ventilation flaps
10	Air flaps for swing function
11	Control panel

## Transport and storage

### Note

If you store or transport the device improperly, the device may be damaged.

Note the information regarding transport and storage of the device.

### Transport

To make the device easier to transport, it is fitted with wheels.

To make the device easier to transport, it is fitted with a carry handle.

**Before** transporting the device, observe the following:

- Switch off the device.
- Hold onto the mains plug while pulling the power cable out of the mains socket.
- Empty the water tank.
- Do not use the power cable to drag the device.
- Only wheel the device on a level and smooth surface.

**After** transporting the device, observe the following:

- Set up the device in an upright position after transport.

### Storage

**Before** storing the device, observe the following:

- Empty and clean the water tank prior to storage (see chapter Maintenance).
- Allow the evaporation filter to dry prior to storage. Otherwise the device may distribute a musty smell after restart.
- Hold onto the mains plug while pulling the power cable out of the mains socket.

When the device is not being used, observe the following storage conditions:

- dry and protected from frost and heat
- in an upright position where it is protected from dust and direct sunlight
- with a cover to protect it from invasive dust, if necessary
- Place no further devices or objects on top of the device to prevent it from being damaged.
- Remove batteries from the remote control.

## Assembly and start-up

### Scope of delivery

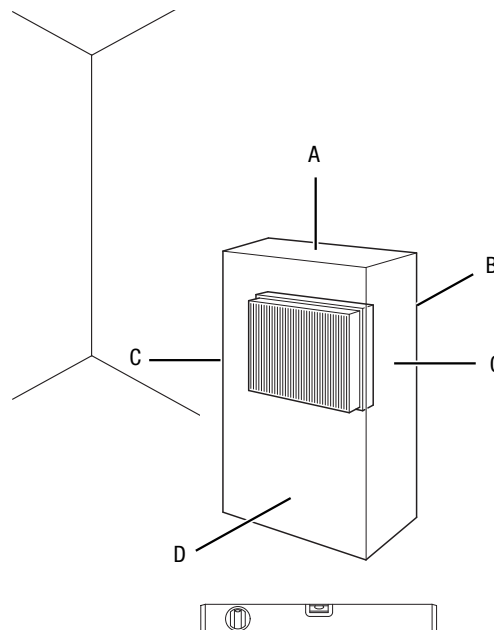
- 1 x Device
- 1 x Remote control
- 2 x Battery for the remote control
- 1 x Evaporation filter
- 2 x Ice pack
- 1 x Manual

### Unpacking the device

1. Open the cardboard box and take the device out.
2. Completely remove the packaging.
3. Fully unwind the power cable. Make sure that the power cable is not damaged and that you do not damage it during unwinding.

### Start-up

When positioning the device, observe the minimum distance from walls or other objects as described in the Technical data chapter.



- Before restarting the device, check the condition of the power cable. If there are doubts as to the sound condition, contact the customer service.
- Only put up the device in an upright, stable position on firm ground.
- Do not create tripping hazards when laying the power cable or other electric cables, especially when positioning the device in the middle of the room. Use cable bridges.
- Make sure that extension cables are completely unrolled.
- Make sure that no curtains or other objects interfere with the air flow.

Prior to initial start-up, insert batteries in the remote control.

### Filling the water tank

The device requires fresh drinking water for air cooling.

#### Note

Fill the device with fresh drinking water only. The water temperature must not exceed 40 °C.



#### Info

If possible, change the water every 3 days to prevent bacterial growth.

Observe the following when using the ice packs:

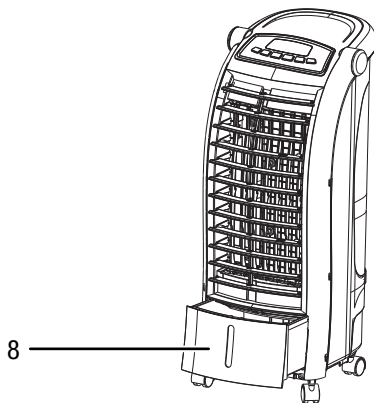
- Put the ice packs into a freezer for at least 4 hours before use.
- Put the ice packs into the water tank before filling water into the tank.
- Only place the ice packs into the designated compartment in the water tank, otherwise the pump will not function properly.



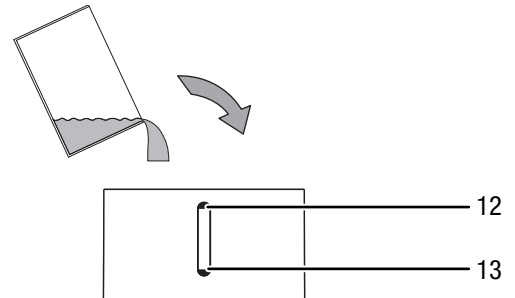
#### Info

When using ice packs at high outside temperatures, condensation may form at the water tank and drip onto the floor.

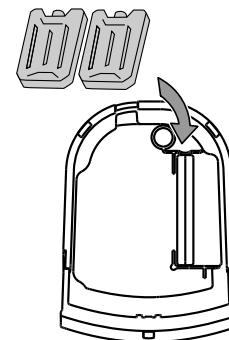
1. Remove the water tank (8) from the device.
  - ⇒ When removing the water tank quickly, the mechanism for lowering the pump may be released. Push the pump back up into the housing (see chapter Errors and faults).



2. Fill the water tank (8) with fresh drinking water only. Optionally, you can add ice cubes made of drinking water for additional cooling.
  - ⇒ Observe the minimum (13) and maximum filling level (12) at the filling level indicator. The water tank must be filled up to minimum filling level (13) to enable pump operation.



3. If required, put the two ice packs into the compartment inside the water tank to achieve an enhanced cooling effect.



4. Refit the water tank into the device.
5. Make sure that the device is neither damp nor wet on the outside. Otherwise wipe it dry.

**Inserting evaporation filter and air filter**

**Note**

When set to air cooling mode, the device should not be operated without the evaporation filter, otherwise *cooling* will not work.

**Note**

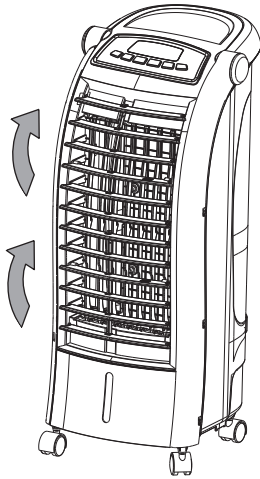
Do not operate the device without an air filter inserted into the air inlet!

Without the air filter, the inside of the device will be heavily contaminated. This could reduce the performance and result in damage to the device.

- Make sure that both the evaporation and the air filter are installed before switching the device on.

**Opening the ventilation flaps**

Prior to switching the device on, open the two segments of the ventilation flaps at the air outlet.



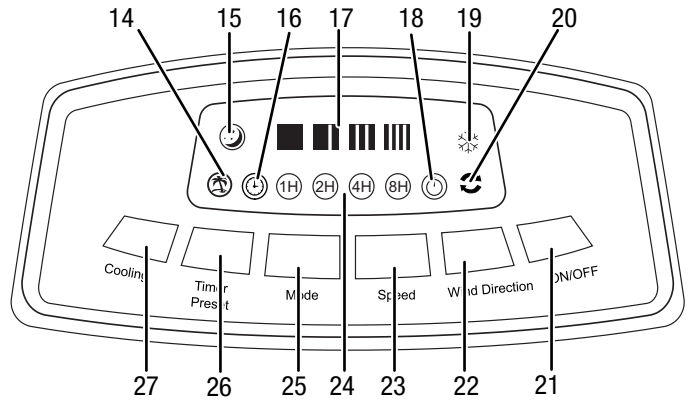
**Connecting the power cable**

- Insert the mains plug into a properly secured mains socket.
- The symbols on the control panel display light up briefly. The device is now in standby mode.

**Operation**

- Avoid open doors and windows.

**Operating elements**



No.	Designation	Meaning
14	Air freshening symbol	Illuminated red when <i>air freshening</i> mode is activated
15	Night mode symbol	Illuminated red when night mode is activated
16	Preset symbol	Illuminated green when timer for automatic switch-on is activated
17	Fan stage indication	Fan speed indication: Stage 1 = low Stage 2 = medium Stage 3 = high Stage 4 = maximum
18	Timer symbol	Illuminated red when timer for automatic switch-off is activated
19	Air cooling symbol	<ul style="list-style-type: none"> <li>• Illuminated red when <i>air cooling</i> mode is activated</li> <li>• Flashes red when water tank is empty</li> </ul>
20	Swing function symbol	Illuminated red when swing function is activated
21	ON/OFF button	Switching the device on or off
22	Wind Direction button	Switching the swing function on or off
23	Speed button	For setting the fan speed



No.	Designation	Meaning
24	Hour indication	<ul style="list-style-type: none"> <li>Indication of the number of hours of the activated timer (1 to 15 h) through a combination of the symbols <i>1H</i>, <i>2H</i>, <i>4H</i> and/or <i>8H</i></li> <li>When added up, the symbols illuminated in red indicate the desired number of hours</li> </ul>
25	<i>Mode</i> button	Selection button for operating mode <i>air freshening</i> or <i>night mode</i>
26	<i>Timer / Preset</i> button	Switching the timer on or off
27	<i>Cooling</i> button	Switching the <i>air cooling</i> mode on or off

### Switching the device on

Once you have completely installed the device as described in the Start-up chapter, you can switch it on.

- Press the *ON/OFF* button (21).
- ⇒ The device starts in *ventilation* mode at fan stage 1.

### Setting the operating mode

The device comes with the following operating modes:

- air cooling*
- air freshening*
- ventilation*

*Air cooling* can be switched on both in *air freshening* and in *ventilation* mode.

When activating *air cooling*, the pump is switched on and the water is distributed over the evaporation filter to cool the circulating air. If the water tank is empty, an alarm signal will be emitted and the *air cooling* symbol (19) will start flashing.

Please proceed as follows to activate *air cooling*:

- Press the *Cooling* button (27).
  - ⇒ The *air cooling* symbol (19) appears on the display.
  - ⇒ The pump starts.
- Press the *Speed* button (23) to set the desired fan stage (1 to 4).
- Press the *Cooling* button (27) again to switch *air cooling* off.
  - ⇒ The *air cooling* symbol (19) disappears.
  - ⇒ The device continues to run in *ventilation* mode.

#### Note

When *air cooling* mode is activated, the water tank must not be removed, otherwise the water from the filter will drip down into the device.

In *air freshening* mode, the fan speed increases and decreases alternately to generate a pleasant, natural flow of air.

Please proceed as follows to activate *air freshening*:

- Press the *Mode* button (25) until the *air freshening* symbol (14) appears on the display.

When switching the device on, it starts in *ventilation* mode at stage 1. All 4 speed stages can be selected manually.

### Setting the timer

The timer has two modes of operation:

- automatic switch-on upon expiry of a preset number of hours.
- automatic switch-off upon expiry of a preset number of hours.

The number of hours can be between 1 and 15 and can be adjusted in increments of 1 h.

### Automatic switch-on

- Switch the device off.
- Press the *Timer / Preset* button (26) until the desired number of hours is displayed as a combination of the different hour symbols (24).
  - ⇒ The *Preset* symbol (16) appears on the display.
  - ⇒ The timer setting equals the desired number of hours.
  - ⇒ After the set number of hours has elapsed, the device automatically starts running in *ventilation* mode at fan stage 1. Additionally, automatic switch-off is programmed to 2 hours and the swing function is switched on.

Notes regarding automatic switch-on:

- Manually switching the device on disables the automatic switch-on function.
- If the power supply is interrupted, the timer will be deactivated.

### Automatic switch-off

- ✓ The device is switched on.
- Press the *Timer / Preset* button (26) until the desired number of hours is displayed as a combination of the different hour symbols (24).
    - ⇒ The *Timer* symbol (18) appears on the display.
    - ⇒ The timer setting equals the desired number of hours.
    - ⇒ The device switches off after the set number of hours has elapsed.

### Activating night mode

In night mode, it is possible to additionally switch on *air cooling*.

*Air freshening* cannot be activated.

- Press the *Mode* button (25) until the *night mode* symbol (15) appears on the display.



#### Info

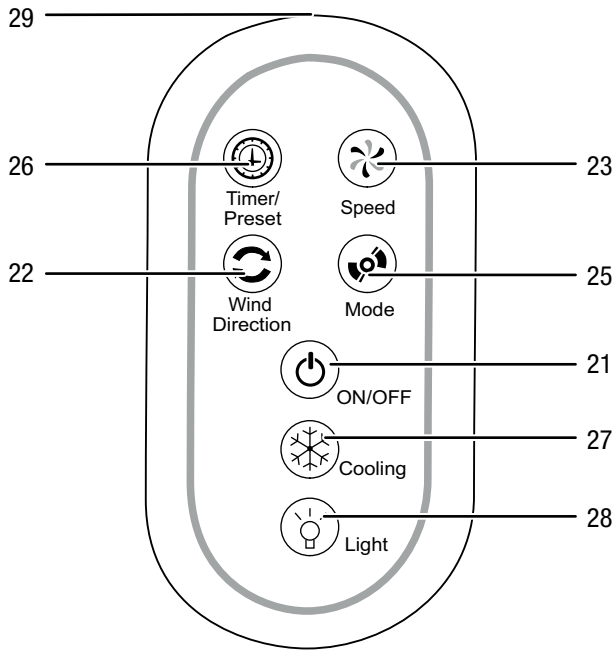
If you activate *air cooling*, an alarm signal will be emitted when the water tank is empty, even in night mode.

**Setting the fan stage**

1. Press the *Speed* button (23) until the desired fan stage appears on the *fan stage* indicator (17) on the display.

**Remote control**

All settings of the device can also be made using the remote control included in the scope of delivery.



No.	Designation	Meaning
21	<i>ON/OFF</i> button	Switching the device on or off
22	<i>Wind Direction</i> button	Switching the swing function on or off
23	<i>Speed</i> button	For setting the fan speed
25	<i>Mode</i> button	Selection button for operating mode <i>air freshening</i> or <i>night mode</i>
26	<i>Timer / Preset</i> button	Switching the timer on or off
27	<i>Cooling</i> button	Switching the <i>air cooling</i> mode on or off
28	<i>Light</i> button	Switching the display illumination on or off
29	Remote control transmitter/receiver	For infrared transmission to the device

**Swing function**

The swing function can be switched on in any operating mode if required.

Behind the horizontal ventilation flaps, there are vertical air flaps integrated in the device. By means of the swing function, these air flaps are moved automatically and thus ensure continuous air circulation.

1. Press the *Wind Direction* button (22) to switch the swing function on or off.

**Adding water**

An empty water tank is indicated by the device with an acoustic signal and the *air cooling* symbol (19) flashing. In this case, the water tank must be refilled.

The device requires fresh drinking water for air cooling.

**Note**

Fill the device with fresh drinking water only. The water temperature must not exceed 40 °C.

Observe the following when using the ice packs:

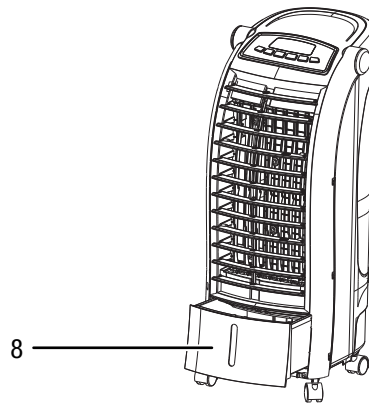
- Put the ice packs into a freezer for at least 4 hours before use.
- Put the ice packs into the water tank before filling water into the tank.
- Only place the ice packs into the designated compartment in the water tank, otherwise the pump will not function properly.



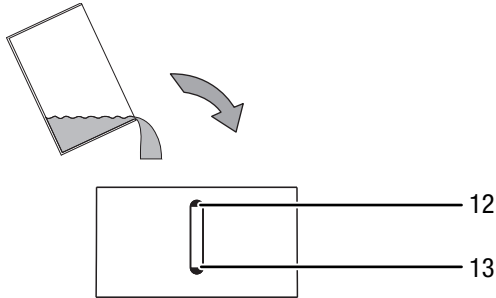
**Info**

When using ice packs at high outside temperatures, condensation may form at the water tank and drip onto the floor.

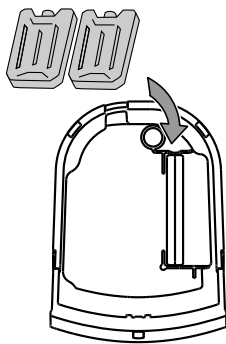
1. Remove the water tank (8) from the device.
  - ⇒ When removing the water tank quickly, the mechanism for lowering the pump may be released. Push the pump back up into the housing (see chapter Errors and faults).



2. Fill the water tank (8) with fresh drinking water only. Optionally, you can add ice cubes made of drinking water for additional cooling.
  - ⇒ Observe the minimum (13) and maximum filling level (12) at the filling level indicator. The water tank must be filled up to minimum filling level (13) to enable pump operation.



3. If required, put the two ice packs into the compartment inside the water tank to achieve an enhanced cooling effect.



4. Refit the water tank into the device.
5. Make sure that the device is neither damp nor wet on the outside. Otherwise wipe it dry.
6. Plug the power cable back into the mains socket.
7. Switch the device on.
  - ⇒ The *air cooling* symbol (19) no longer flashes.

### Auto stop function

If the water tank is empty or not inserted correctly, an acoustic signal will be emitted three times and the *air cooling* symbol (19) will flash.

In *air cooling* mode, the fan continues running; in *air freshening* mode, the device will stop automatically after a while.

### Shutdown



#### Warning of electrical voltage

Do not touch the mains plug with wet or damp hands.

- Switch off the device.
- Hold onto the mains plug while pulling the power cable out of the mains socket.
- Empty and clean the water tank (see chapter Maintenance).
- Clean the device according to the Maintenance chapter.
- Store the device according to the Storage chapter.

### Available accessories



#### Warning

Only use accessories and additional equipment specified in the operating manual. Using insertion tools or accessories other than those specified in the operating manual may cause a risk of injury.

Designation	Article number
Evaporation filter	7.710.000.837

## Errors and faults

The device has been checked for proper functioning several times during production. If malfunctions occur nonetheless, check the device according to the following list.

### The device does not start:

- Check the power connection.
- Check the power cable and mains plug for damage.
- Check the on-site fusing.
- Wait for 10 minutes before restarting the device. If the device is not starting, have the electricians checked by a specialist company or by Trotec.

### The device works with reduced or no capacity:

- Check the position of the horizontal ventilation flaps. They should be opened to the maximum.
- Check the air filter for dirt. If necessary, clean or replace the air filter.
- Check the minimum distance to walls or other objects. Position the device a little more in the room's centre if required.

### The device is running, but there is no air cooling or pump operation:

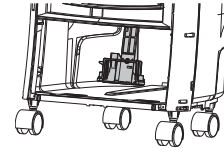
- Check whether *air cooling* mode is activated. The air cooling symbol (19) should be illuminated.
- Check the filling level of the water tank (see chapter Filling the water tank). The air cooling symbol (19) should not flash.
- Check whether there are any objects blocking the pump inlet. Make sure that the pump inlet is not blocked.
- In case the pump does not operate despite a correctly filled water tank and activated air cooling mode, the pump might be defective. Please contact the customer service.

### Water is leaking:

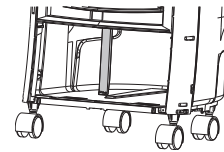
- Check the device for leaks.
- Check the water tank for tight fit.

### The water tank cannot be inserted:

- Check whether the mechanism for lowering the pump was released. If the pump can be seen in the lower area, the water tank is being blocked.



- Push the pump up until the switch for lowering the pump can be seen.



### The swing function is not working:

- The swing function motor might be defective. Please contact the customer service.

### The device is loud or vibrates:

- Check whether the device is set up in a stable and upright position.

### The device does not respond to the infrared remote control:

- Check whether the distance between remote control and device is too large and reduce it if necessary.
- Make sure there are no obstacles, such as furniture or walls, between the device and the remote control. Ensure visual contact between device and remote control.
- Check the charging status of the batteries and change them if required.
- If the batteries have just been changed, check them for correct polarity.

### Your device still does not operate correctly after these checks?

Please contact the customer service. If necessary, bring the device to an authorised specialist electrical company or to Trotec for repair.

## Maintenance

## Maintenance intervals

Maintenance and care interval	before every start-up	as needed	every 3 days	at least every 2 weeks	at least every 4 weeks	at least every 6 months
Clean the water tank			X			
Check air inlets and outlets for dirt and foreign objects and clean if necessary	X				X	
Clean the exterior		X				
Visually check the inside of the device for dirt		X				
Check the air filter for dirt and foreign objects and clean if necessary	X			X		
Replacing the evaporation filter		X				
Check for damage	X					
Check attachment screws		X				
Test run						

## Maintenance and care log

Device type: .....

Device number: .....

Maintenance and care interval	1	2	3	4	5	6	7	8	9	10	11	12	13	14	15	16
Clean the water tank																
Check air inlets and outlets for dirt and foreign objects and clean if necessary																
Clean the exterior																
Visually check the inside of the device for dirt																
Check the air filter for dirt and foreign objects and clean if necessary																
Replacing the evaporation filter																
Check for damage																
Check attachment screws																
Test run																
Remarks:																

1. Date: .....	2. Date: .....	3. Date: .....	4. Date: .....
Signature: .....	Signature: .....	Signature: .....	Signature: .....
5. Date: .....	6. Date: .....	7. Date: .....	8. Date: .....
Signature: .....	Signature: .....	Signature: .....	Signature: .....
9. Date: .....	10. Date: .....	11. Date: .....	12. Date: .....
Signature: .....	Signature: .....	Signature: .....	Signature: .....
13. Date: .....	14. Date: .....	15. Date: .....	16. Date: .....
Signature: .....	Signature: .....	Signature: .....	Signature: .....

**Activities required before starting maintenance**



**Warning of electrical voltage**

Do not touch the mains plug with wet or damp hands.

- Switch the device off.
- Hold onto the mains plug while pulling the power cable out of the mains socket.

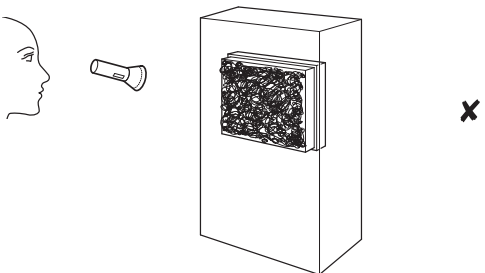
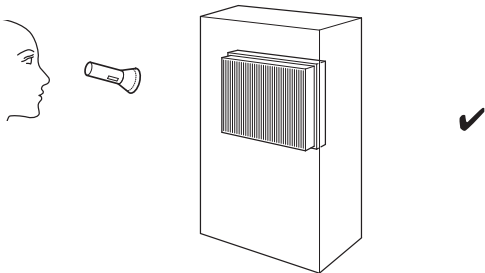


**Warning of electrical voltage**

**Tasks which require the housing to be opened must only be carried out by authorised specialist companies or by Trotec.**

**Visual inspection of the inside of the device for dirt**

1. Remove the air filter.
2. Use a torch to illuminate the openings of the device.
3. Check the inside of the device for dirt.
4. If you see a thick layer of dust, have the inside of the device cleaned by a specialist electrical company or by Trotec.
5. Put the air filter back in.



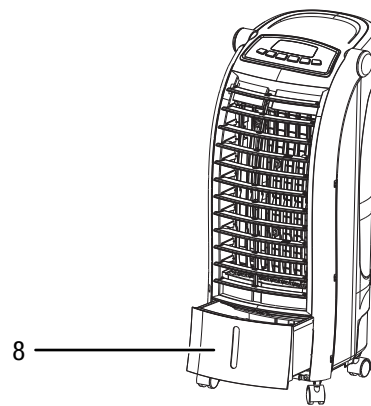
**Cleaning the housing**

Clean the housing with a soft, damp and lint-free cloth. Make sure that no moisture enters the housing. Protect electrical components from moisture. Do not use any aggressive cleaning agents such as cleaning sprays, solvents, alcohol-based or abrasive cleaners to dampen the cloth.

**Cleaning the water tank**

The water tank should be cleaned every 3 days if actively used. Use household vinegar as cleaning/descaling agent. Observe the manufacturer's specifications and hazard warnings of the descaling agent. Before a longer period of non-use or storage the water tank should be drained.

1. Remove the water tank from the device.



2. Thoroughly rinse the water tank in a sink or similar.
3. Thoroughly rinse the water tank with household vinegar (descaling agent).
4. Then rinse the water tank with water.
5. Dry the inside of the tank with a lint-free cloth.
6. Fill the water tank with fresh drinking water if you want to continue operation (see chapter Adding water).
7. Refit the water tank into the device.
8. In doing so, make sure that the water tank is inserted correctly, for otherwise the device cannot be switched back on.

## Cleaning the air filter

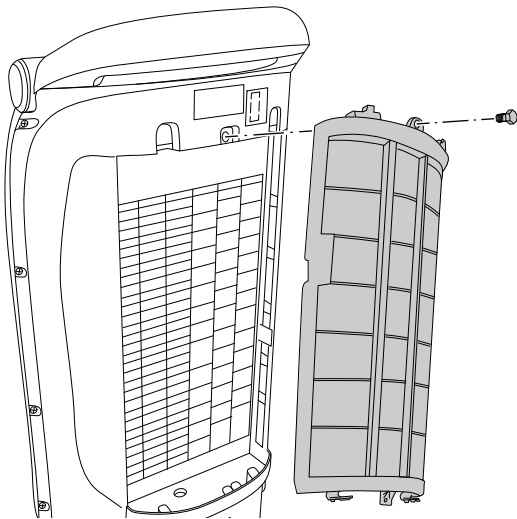
The air filter has to be cleaned as soon as it is dirty. This is brought to light e.g. by a reduced capacity (see chapter Errors and faults).



### Warning

Ensure that the air filter is not worn or damaged. The corners and edges of the air filter must not be deformed or rounded. Before reinserting the air filter, make sure that it is undamaged and dry!

1. Loosen the screw at the air filter.
2. Remove the air filter from the device.



3. Clean the filter using a slightly damp, soft, lint-free cloth. If the filter is heavily contaminated, clean it with warm water mixed with a neutral cleaning agent.
4. Allow the filter to dry completely. Do not insert a wet filter into the device!
5. Reinsert the air filter into the device.
6. Reattach the screw to the device.

## Replacing the evaporation filter

### Note

When set to air cooling mode, the device should not be operated without the evaporation filter, otherwise *cooling* will not work.

### Note

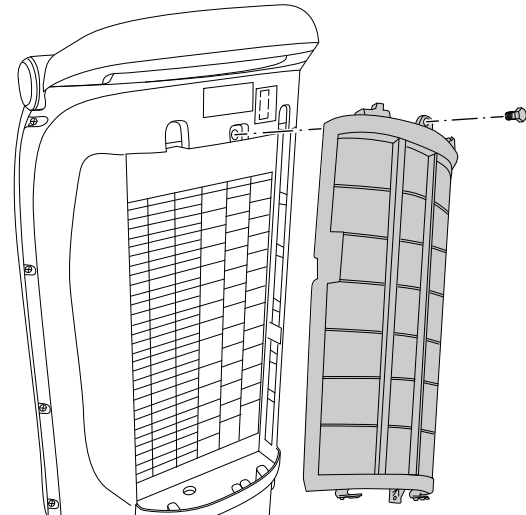
Do not operate the device without an inserted air filter! Without the air filter, the inside of the device will be heavily contaminated. This could reduce the performance and result in damage to the device.

The evaporation filter should be replaced in case of heavy soiling.

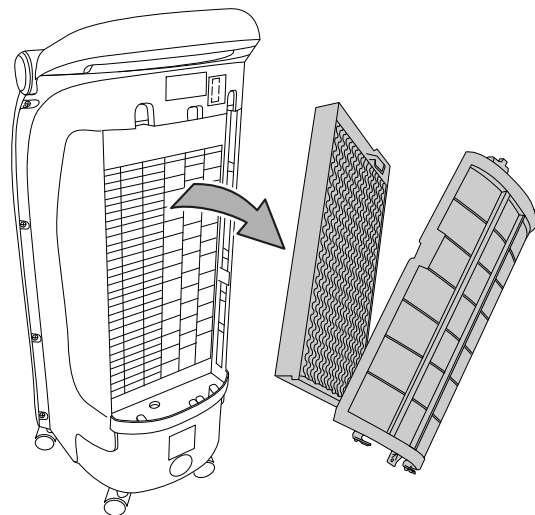
In standard operation, the interval for replacing the evaporation filter is approx. 1 year.

Allow the evaporation filter to dry before removing it from the device.

1. Loosen the screw at the air filter.



2. Remove the air filter from the device.
3. Remove the evaporation filter from the device.



4. Dispose of used evaporation filters according to the national regulations.
5. Insert the new evaporation filter into the device.
6. Reinsert the air filter into the device.
7. Reattach the screw to the device.

## Activities required after maintenance

If you want to continue using the device:

- Reconnect the device to the mains.

If you do not intend to use the device for a considerable time:

- Store the device according to the Storage chapter.

## Technical annex

### Technical data

Parameter	Value
<b>Model</b>	<b>PAE 25</b>
Max. evaporation performance	900 ml/h
Air flow rate	320 m <sup>3</sup> /h
Mains connection	1/N/PE~ 230 V / 50 Hz
Nominal current consumption	0.3 A
Power consumption	65 W
Sound pressure level (at a distance of 1 m)	52 dB(A)
Water tank capacity	4.5 l
Weight	7 kg
Dimensions (length x width x height)	330 x 310 x 740 mm
Minimum distance to walls and other objects:	top (A): 20 cm rear (B): 20 cm sides (C): 20 cm front (D): 20 cm
Batteries for the remote control	Type AAA 1.5 V R03

## Disposal



The icon with the crossed-out waste bin on waste electrical or electronic equipment stipulates that this equipment must not be disposed of with the household waste at the end of its life. You will find collection points for free return of waste electrical and electronic equipment in your vicinity. The addresses can be obtained from your municipality or local administration. For further return options provided by us please refer to our website <https://de.trotec.com/shop/>.

The separate collection of waste electrical and electronic equipment aims to enable the re-use, recycling and other forms of recovery of waste equipment as well as to prevent negative effects for the environment and human health caused by the disposal of hazardous substances potentially contained in the equipment.



In the European Union, batteries and accumulators must not be treated as domestic waste, but must be disposed of professionally in accordance with Directive 2006/66/EC of the European Parliament and of the Council of 6 September 2006 on batteries and accumulators. Please dispose of batteries and accumulators according to the relevant legal requirements.



Trotec GmbH

Grebener Str. 7  
D-52525 Heinsberg

☎ +49 2452 962-400

☎ +49 2452 962-200

✉ [info@trotec.com](mailto:info@trotec.com)

[www.trotec.com](http://www.trotec.com)