

# DH 105 S / DH 115 S / DH 145 SH

EN

ORIGINAL INSTRUCTIONS  
CONDENSER DRYER



**Table of contents**

**Information on the use of these instructions** ..... 2

**Safety** ..... 2

**Information about the device**..... 4

**Transport and storage**..... 6

**Assembly and start-up**..... 7

**Operation** ..... 9

**Errors and faults**..... 12

**Maintenance** ..... 13


**Technical annex**..... 16


**Disposal** ..... 21


**EU Declaration of Conformity (original)**..... 21

**Information on the use of these instructions**


**Symbols**


 **Warning of electrical voltage**  
 This symbol indicates dangers to the life and health of persons due to electrical voltage.

 **Warning**  
 This signal word indicates a hazard with an average risk level which, if not avoided, can result in serious injury or death.

 **Caution**  
 This signal word indicates a hazard with a low risk level which, if not avoided, can result in minor or moderate injury.

**Notice**  
 This signal word indicates important information (e.g. material damage), but does not indicate hazards.

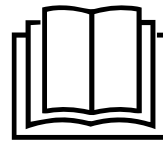
 **Info**  
 Information marked with this symbol helps you to carry out your tasks quickly and safely.

 **Follow the manual**  
 Information marked with this symbol indicates that the instructions must be observed.

You can download the current version of these instructions via the following link:



<https://hub.trotec.com/?id=40772>




<https://hub.trotec.com/?id=40773>



<https://hub.trotec.com/?id=43937>

**Safety**

**Read this manual carefully before starting or using the device. Always store the manual in the immediate vicinity of the device or its site of use.**

 **Warning**  
**Read all safety warnings and all instructions.** Failure to follow the warnings and instructions may result in electric shock, fire and/or serious injury. **Save all warnings and instructions for future reference.**  
 This appliance can be used by children aged from 8 years and above and persons with reduced physical, sensory or mental capabilities or lack of experience and knowledge if they have been given supervision or instruction concerning use of the appliance in a safe way and understand the hazards involved. Children shall not play with the appliance. Cleaning and user maintenance shall not be done by children without supervision.

- Do not use the device in potentially explosive rooms or areas and do not install it there.
- Do not use the device in an aggressive atmosphere.
- Place the device in an upright and stable position on horizontal and stable ground.

- Let the device dry out after a wet clean. Do not operate it when wet.
- Do not use the device with wet or damp hands.
- Do not expose the device to directly squirting water.
- Do not cover the device during operation.
- Do not sit on the device.
- This appliance is not a toy. Keep away from children and animals.
- Occasionally observe the device during operation.
- Check accessories and connection parts for possible damage prior to every use of the device. Do not use any defective devices or device parts.
- Ensure that all electric cables outside of the device are protected from damage (e.g. caused by animals). Never use the device if electric cables or the power connection are damaged!
- The mains connection must correspond to the specifications in the Technical annex.
- Insert the mains plug into a properly fused mains socket.
- Observe the device's power input, cable length and intended use when selecting extensions to the power cable. Completely unroll extension cables. Avoid electrical overload.
- Do not under any circumstances use the device if you detect damages on the mains plug or power cable. If the power cable is damaged, it must be replaced by the manufacturer, its service agent or similarly qualified persons in order to avoid a hazard.  
Defective power cables pose a serious health risk!
- Before carrying out maintenance, care or repair work on the device, remove the mains plug from the mains socket. Hold onto the mains plug while doing so.
- Switch the device off and disconnect the power cable from the mains socket when the device is not in use.
- When positioning the device, observe the minimum distances from walls and other objects as well as the storage and operating conditions specified in the Technical annex.
- Make sure that the air inlet and outlet are not obstructed.
- Make sure that the suction side is kept free of dirt and loose objects.
- Never insert any objects or limbs into the device.
- Do not remove any safety signs, stickers or labels from the device. Keep all safety signs, stickers and labels in legible condition.

- Only transport the device in an upright position with an emptied condensation tank/tray or drain hose.
- Discharge the collected condensate before transport and storage. Do not drink it. Health hazard!
- Only use original spare parts, for otherwise safe and functional operation cannot be ensured.

### **Intended use**

Only use the device as industrial dryer for drying and dehumidifying room air whilst adhering to the technical data and safety instructions.

Intended use comprises:

- drying and dehumidifying:
  - production plants, underground rooms
  - store rooms, archives, laboratories
  - rooms and areas after water damage caused by burst pipes or flooding
- keeping dry of:
  - instruments, devices, files
  - electric control devices, boiler plants, turbines and pipe systems in power plants
  - moisture-sensitive goods, loads, etc.

Any use other than the intended use is regarded as misuse.

### **Reasonably foreseeable misuse**

- Do not place any objects, e.g. clothing, on the device.
- Do not use the device out of doors.
- Do not use the device in the immediate vicinity of swimming pools, bathtubs and showers.
- Never immerse the device in water.
- Do not make any unauthorised modifications, alterations or structural changes to the device.

### **Personnel qualification**

People who use this device must:

- be aware of the dangers that occur when working with electric devices in damp areas.
- have read and understood the instructions, especially the Safety chapter.

Maintenance tasks which require the housing to be opened must only be carried out by specialist companies for cooling and air-conditioning or by the manufacturer.

## Residual risks



### Warning of electrical voltage

Work on the electrical components must only be carried out by an authorised specialist company!



### Warning of electrical voltage

Risk of electric shock!

The device is not protected against water.

There is a risk of electric shock!

Never use the device in areas where dripping, spraying or running water can enter the device! Never immerse the device in water!



### Warning of electrical voltage

Before any work on the device, remove the mains plug from the mains socket!

Do not touch the mains plug with wet or damp hands.

Hold onto the mains plug while pulling the power cable out of the mains socket.



### Warning

Dangers can occur at the device when it is used by untrained people in an unprofessional or improper way! Observe the personnel qualifications!



### Warning

The device is not a toy and does not belong in the hands of children.



### Warning

Risk of suffocation!

Do not leave the packaging lying around. Children may use it as a dangerous toy.

### Notice

Do not operate the device without an air filter inserted into the air inlet!

Without the air filter, the inside of the device will be heavily contaminated. This can reduce the performance and result in damage to the device.

## Behaviour in the event of an emergency

1. Switch the device off.
2. Disconnect the device from the mains by removing the mains plug from the socket. When doing so, be sure to hold the plug, not the cable.
3. Do not reconnect a defective device to the mains.

## Information about the device

### Device description

The device uses the principle of condensation to automatically dehumidify rooms.

The fan sucks damp room air through the air inlet, the air filter, the evaporator and to the condenser located behind it. The air is cooled at the cold evaporator until it is below the dew point.

Water vapour contained in the room air precipitates on the evaporator fins as condensation or rime. The dehumidified, cooled air is slightly warmed at the condenser and blown out again. The drier air thus conditioned mixes with the air in the room. The humidity in the room where the device is positioned is reduced as air constantly circulates through the device.

Depending on the air temperature and the relative humidity, the condensed water either drops into the condensation tray continuously or only during the defrost phases. The condensation is fed through a pressure-resistant pipe connection and out of the device by a condensate pump. To do so, a condensation drain hose is connected to the hose connector of the device and the condensate is drained.

The device has a control panel for operating and controlling the functions.

Once the maximum fill level of the condensation tank is reached, the condensation tank indicator light (see chapter Operating elements) on the control panel is illuminated. The device switches off. The condensation tank indicator light only goes out again upon draining the residual water from the condensation tank at the push of a button.

The device comes with a hot gas automatic defrost system. Here, the hot gas of the refrigerant circuit is used actively for fast and effective defrosting. This makes the device operate effectively even at temperatures below 15 °C.

Because of the heat radiation generated during operation, the room temperature may rise slightly.

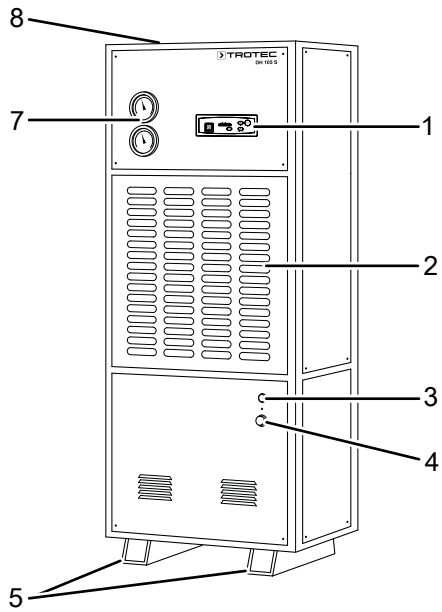
The device is not protected against water (IPX0).

### Notice

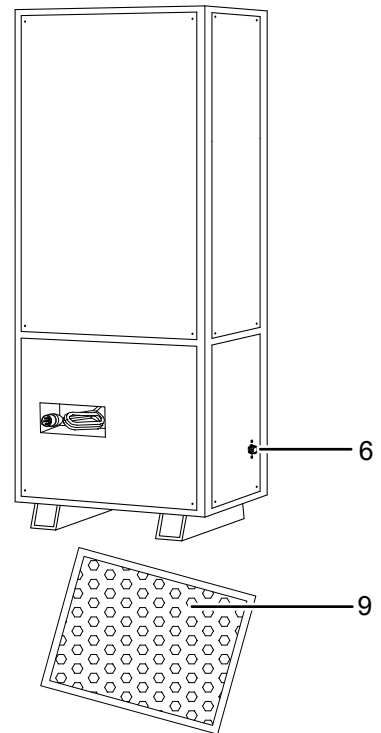
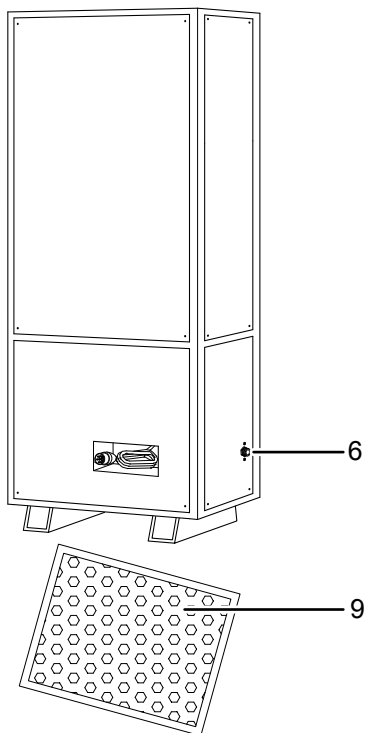
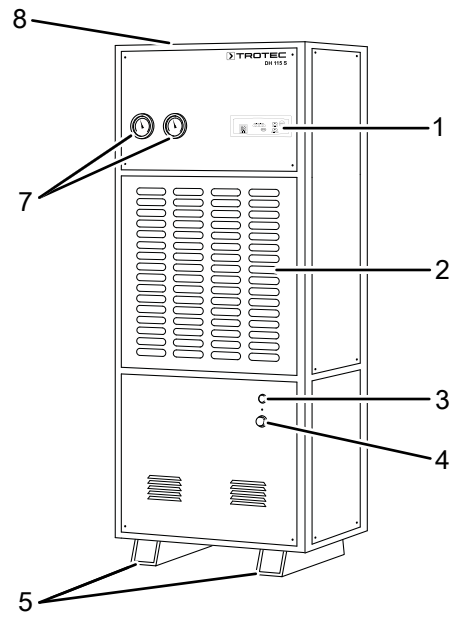
The condensate pump is fitted with a float switch. It completely switches off the condenser dryer when a critical filling level is reached in the condensation tray. Additionally, an acoustic signal will be emitted and the condensation tray indicator light is illuminated. After troubleshooting, the condenser dryer must be switched back on by hand.

**Device depiction**

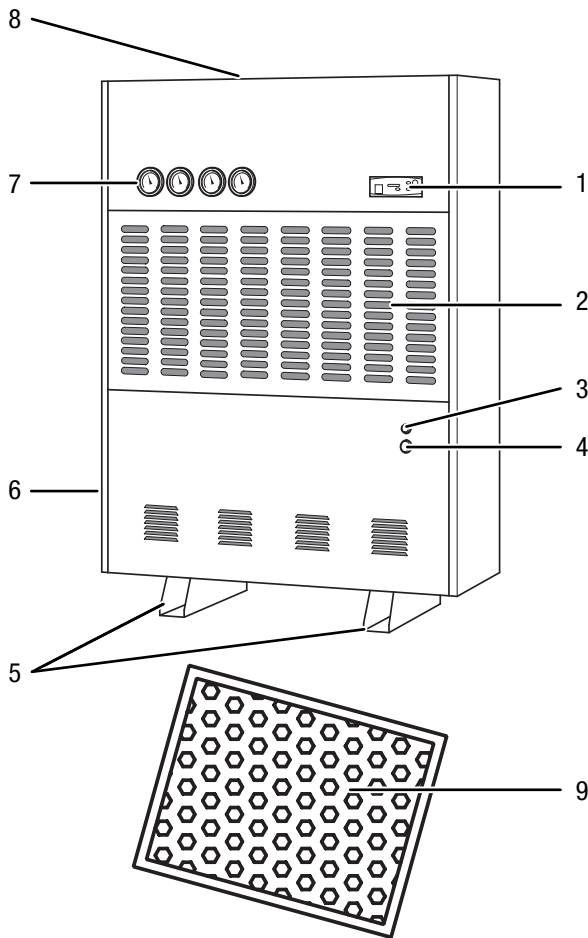
**DH 105 S**



**DH 115 S**



**DH 145 SH**



No.	Designation
1	Control panel
2	Air inlet with air filter
3	Button for draining residual water from the condensation tray
4	Condensation tray indicator light with buzzer
5	Feet
6	Condensation drain hose connection
7	Pressure indication
8	Air outlet
9	Air filter

**Transport and storage**

**Notice**

If you store or transport the device improperly, the device may be damaged.  
 Note the information regarding transport and storage of the device.

**Transport**

Always utilize the help of another person to transport the device. Do not try to transport the device without the help of another person. To lift the device, use a forklift or an elevating truck as appropriate.

**Before** transporting the device, observe the following:

- Wait until the condensate pump stops pumping condensate.
- Switch the device off.
- Disconnect the device from the mains by removing the mains plug from the socket. When doing so, be sure to hold the plug, not the cable.
- Drain the remaining condensate from the device and the condensation drain hose (see chapter Maintenance).
- Remove the condensation drain hose.
- Do not use the power cable to drag the device.

**After** transporting the device, proceed as follows:

- Set up the device in an upright position after transport.
- After having transported the device in horizontal position, leave the device to rest for 12 to 24 hours, so the refrigerant can accumulate within the compressor. Wait 12 to 24 hours before switching the device back on! Acting contrary might lead to compressor damage and a malfunctioning device. Any warranty claims will be voided in this case.

**Storage**

**Before** storing the device, proceed as follows:

- Drain the remaining condensate from the device and the condensation drain hose (see chapter Maintenance).
- Disconnect the device from the mains by removing the mains plug from the socket. When doing so, be sure to hold the plug, not the cable.

When the device is not being used, observe the following storage conditions:

- Store the device in a dry location and protected from frost and heat.
- If required, use a cover to protect the device from invasive dust.
- Place no further devices or objects on top of the device to prevent it from being damaged.

## Assembly and start-up

### Scope of delivery

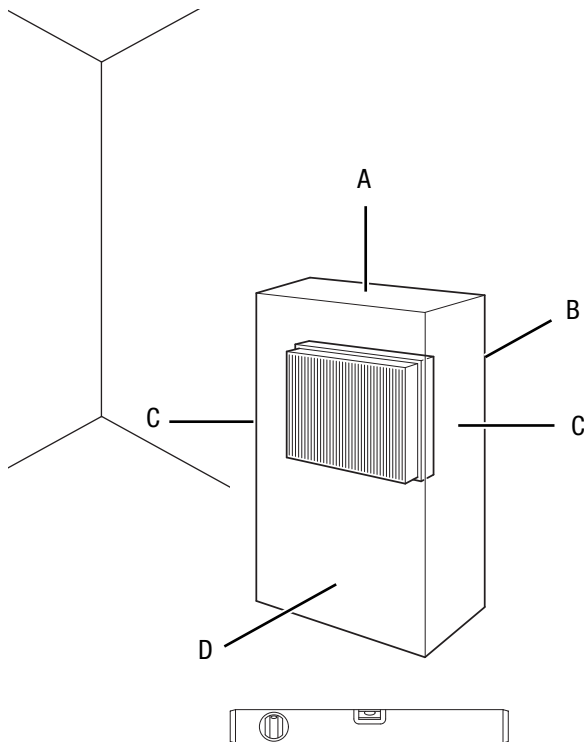
- 1 x Device
- 1 x Condensation drain hose
- 1 x Manual

### Unpacking the device

1. Open the cardboard box and take the device out.
2. Completely remove the packaging.
3. Fully unwind the power cable. Make sure that the power cable is not damaged and that you do not damage it during unwinding.

### Start-up

When positioning the device, observe the minimum distance from walls or other objects as described in the chapter Technical annex.



- Make sure that no curtains or other objects interfere with the air flow.
- When positioning the device, secure the device locally with an RCD (Residual Current Device) which complies with the appropriate regulations.

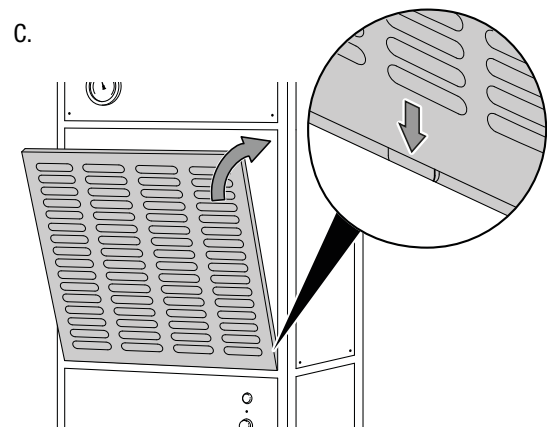
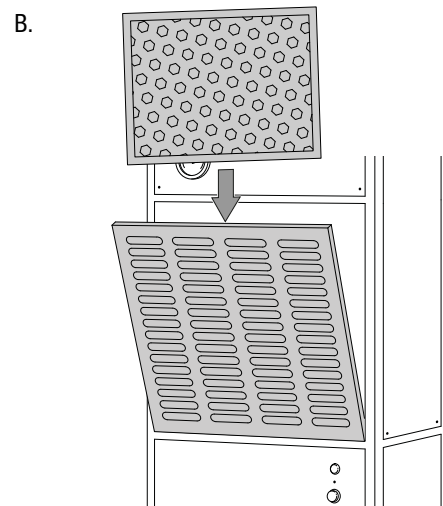
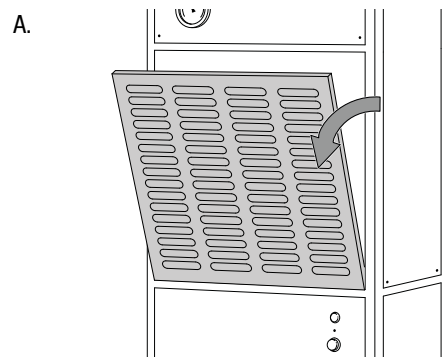
### Inserting the air filter

#### Notice

Do not operate the device without an air filter inserted into the air inlet!

Without the air filter, the inside of the device will be heavily contaminated. This can reduce the performance and result in damage to the device.

- Make sure that the air filter is installed before switching the device on.



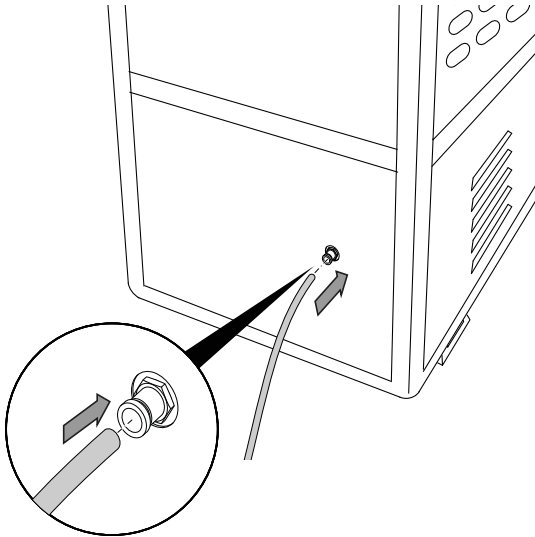
- Before restarting the device, check the condition of the power cable. If there are doubts as to the sound condition, contact the customer service.
- Place the device in an upright and stable position on horizontal and stable ground.
- Do not create tripping hazards when laying the power cable or other electric cables, especially when positioning the device in the middle of the room. Use cable bridges.
- Make sure that extension cables are completely unrolled.
- When positioning the device, keep a sufficient distance to heat sources.

**Positioning the condensation drain hose**

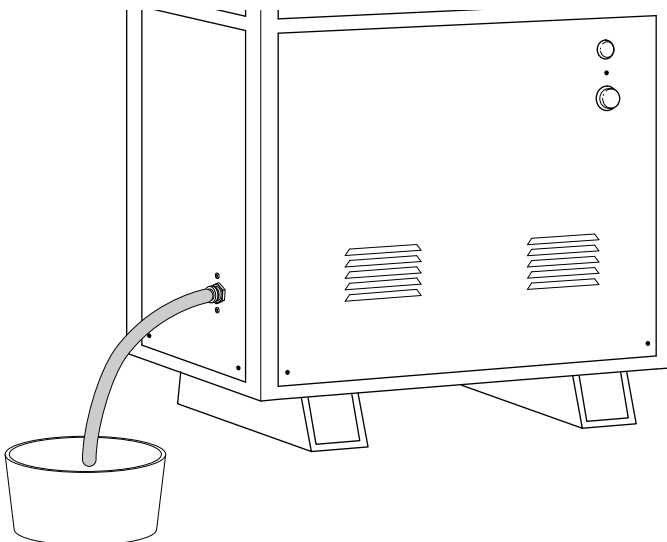
The supplied condensate drain hose should be permanently connected to the device.

- ✓ A suitable hose (diameter: 15 mm) is ready for use.
- ✓ The device is switched off.

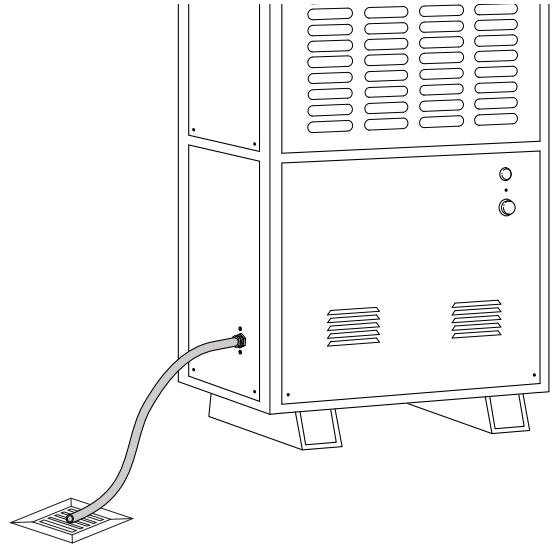
1. Connect the condensation drain hose to the condensation hose connection (6) at the device.



2. Make sure that the condensation drain hose is properly connected to the device and free of damage.
3. Depending on the application, position the end of the condensation drain hose as follows:
  - ⇒ Place a sufficiently dimensioned container (at least 90 litres) beside the device and insert the hose end. Check the filling level of the container regularly.

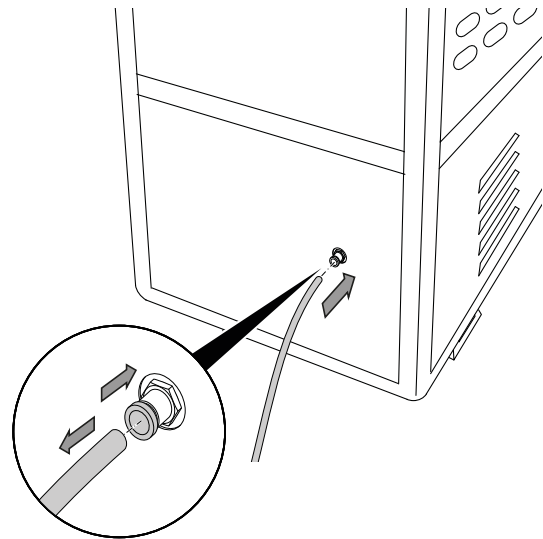


- ⇒ Position the end of the condensation drain hose above a water drain. For larger distances, a longer hose of the same type can also be used.



**Removing the condensation drain hose**

Press the blue ring on the outside of the quick coupling together and at the same time pull the hose.





## Mains connection

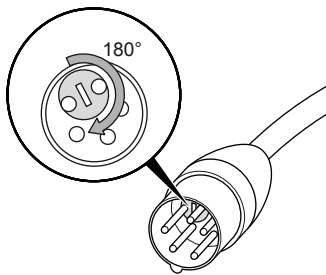
A 3/N/PE three-phase socket with clockwise rotating field is required to connect the device. The device is delivered with a CEE phase inverter (16 A for DH 105 S and DH 115 S, 32 A for DH 145 SH; 6 h).

- Insert the plug into the respective CEE socket.

If the device does not start up automatically and the error message *E5* appears in the segment display, the rotating field in the phase inverter must be corrected.

Correct the rotating field in the phase inverter as follows:

1. Pull the plug from the mains socket.
2. Use a suitable flat-head screwdriver.
3. Rotate the element for phase inversion by 180°.
  - ⇒ Phases are now inverted.

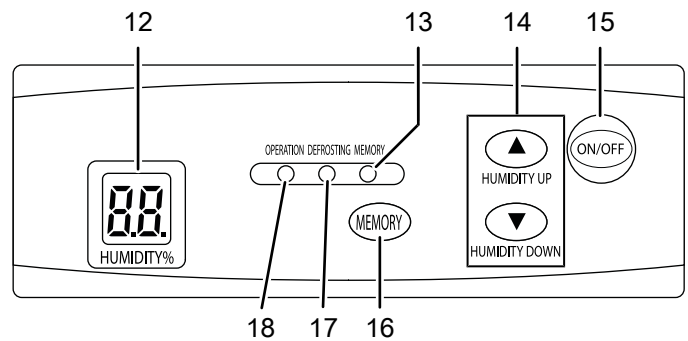


4. Plug the plug back into the socket.

## Operation

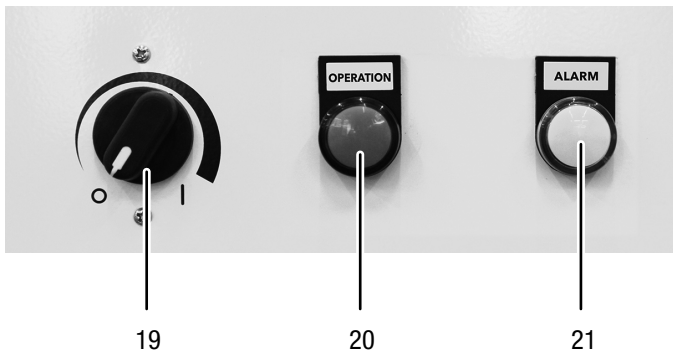
- Avoid open doors and windows.
- After being switched on, the device operates fully automatically.
- The fan runs permanently until the set nominal value is reached or the device switched off.

### Control panel DH 105 S / DH 115 S



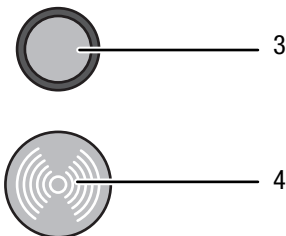
No.	Designation	Meaning
12	Segment display	Display of the selected humidity in percentage or <i>CO</i> for continuous operation mode (value < 30 %) (The default value is 60 % RH.) Display of error codes
13	<i>MEMORY</i> LED	Illuminated when the current humidity setting is saved.
14	<i>HUMIDITY UP</i> button	Increasing the desired relative room humidity For deactivating continuous operation
	<i>HUMIDITY DOWN</i> button	Decreasing the desired relative room humidity For activating continuous operation
15	<i>ON/OFF</i> button	Switching the device on and off
16	<i>MEMORY</i> button	Saves the current humidity setting.
17	<i>DEFROSTING</i> LED	Illuminated when automatic defrosting is in progress.
18	<i>OPERATION</i> LED	Illuminated during ongoing operation.

**Operating elements DH 145 SH**



No.	Designation	Meaning
19	Humidity control dial	Switching the device on and off Setting the desired relative room humidity For activating continuous operation
20	OPERATION indicator light	Illuminated during ongoing operation.
21	ALARM indicator light	Illuminated when the wrong rotating field is set in the mains plug.

**Operating elements condensate pump**



No.	Designation	Meaning
3	Residual water draining button	For draining residual condensate from the condensation tray (optional)
4	Condensation tray indicator light	Illuminated and emits an acoustic signal when the condensation tray is full (optional).



**Warning of electrical voltage**

Risk of electric shock!  
The device is not protected against water.  
There is a risk of electric shock!  
Never use the device in areas where dripping, spraying or running water can enter the device! Never immerse the device in water!

**Switching the device on**

Once you have completely installed the device as described in the chapter Assembly and start-up, you can switch it on.

DH 105 S / DH 115 S:

1. Press the *ON/OFF* button (15).  
⇒ The device is switched on.  
⇒ The *OPERATION* LED (18) is illuminated.
2. Press the *ON/OFF* button (15) again to switch the device off.

The device switches off automatically when the condensation tray is full. The condensation tray indicator light (4) lights up and the buzzer emits an acoustic signal.

DH 145 SH:

1. Turn the *humidity* control dial (19) clockwise.  
⇒ The device is switched on.
2. Turn the *humidity* control dial (19) counter-clockwise into the position *Off* (0) to switch the device off.

The device switches off automatically when the condensation tray is full. The *condensation tray* indicator light (4) lights up and the buzzer emits an acoustic signal.

**Setting the desired room humidity**

DH 105 S / DH 115 S:

The desired relative room humidity can be preselected.

1. Repeatedly press the buttons *HUMIDITY UP* (14) or *HUMIDITY DOWN* (14) to select the desired relative humidity value. Setting is possible in the range between 30 % and 90 %.  
⇒ The desired relative humidity level is indicated on the segment display (12).

The device keeps running until reaching the desired relative room humidity.

Once the desired relative room humidity is exceeded, the compressor and fan switch back on.

DH 145 SH:

You can set the desired humidity level by use of the *humidity* control dial (19).

1. Turn the *humidity* control dial (19) clockwise to set a smaller value for the desired humidity level.
2. Turn the *humidity* control dial (19) counter-clockwise to set a higher value for the desired humidity level.

The device keeps running until reaching the desired relative room humidity. Once the desired relative room humidity is exceeded, the compressor and fan switch back on.

## Memory function for room humidity

DH 105 S / DH 115 S only:

The desired relative room humidity can be saved.

1. Set the desired relative room humidity.
2. Press the *MEMORY* button (16).
  - ⇒ The value for the desired relative room humidity is saved.
  - ⇒ The *MEMORY* LED (13) is illuminated.

The next time the device is started, the saved value will be set automatically.

## Setting continuous operation

DH 105 S / DH 115 S:

The device dehumidifies the air constantly and regardless of the relative room humidity.

The desired relative room humidity cannot be adjusted in this operating mode.

1. Repeatedly press the *HUMIDITY DOWN* button (14) until *CO* is displayed by the segment display (12).
  - ⇒ *Continuous operation* mode is selected.

DH 145 SH:

1. Turn the *humidity* control dial (19) to maximum (I).
  - ⇒ *Continuous operation* mode is selected.

## Automatic defrosting

At low ambient temperatures, ice may form at the vaporizer during dehumidification. The device will then perform automatic defrosting. Dehumidification is briefly interrupted during defrosting. The fan keeps running.

The *DEFROSTING* LED (17) is illuminated.

The duration of defrosting can vary. Do **not** switch off the device during automatic defrost. Do **not** remove the mains plug from the mains socket.

- Automatic defrosting is interrupted once you actuate the *ON/OFF* button (15) or the *HUMIDITY UP* (14) or the *HUMIDITY DOWN* button (14) at the DH 105 S / DH 115 S or the *humidity* control dial (19) at the DH 145 SH.

## Pressure indication

DH 105 S / DH 115 S only:

By means of the pressure indication (7) and the pressure gauges you can check the pressure levels in the refrigerant circuit.

- To do so, compare the displayed values to the target values specified on the nameplate. Should the pressure values at the suction or pressure side be atypical, there might be an error in the refrigerant circuit (leakage, pipe blockage, compressor damage).
- Keep watching the display. If the values deviate permanently, please contact a specialist company or Trotec.

## Shutdown



### Warning of electrical voltage

Do not touch the mains plug with wet or damp hands.

- Switch off the device.
- Disconnect the device from the mains by removing the mains plug from the socket. When doing so, be sure to hold the plug, not the cable.
- If necessary, remove the condensation drain hose and any residual fluid from it.
- Empty the condensation tank/tray if necessary.
- Clean the device according to the Maintenance chapter.
- Store the device according to the Transport and storage chapter.

## Errors and faults

The device has been checked for proper functioning several times during production. If malfunctions occur nonetheless, check the device according to the following list.

### Notice

The device is equipped with a safety timer. Switch-ons and switch-offs can be delayed by up to 3 minutes.

### The device does not start:

- Check the power connection.
- Check the power cable for damages.
- Check the on-site fusing.
- Check the filling level of the condensation tray and empty it, if necessary. The indicator light for the condensation tray (4) must not be illuminated and the buzzer must not emit an acoustic signal.
- Check the rotating field and correct it, if necessary (see chapter Assembly and installation).
- Have the electrics checked by a specialist company for cooling and air-conditioning or by the manufacturer.

### The device is running, but there is no formation of condensate:

- Check whether the condensation drain hose is positioned correctly.
- Check the room temperature. Observe the device's permissible operating range according to the technical data.
- Ensure that the relative humidity complies with the technical data.
- Check the preselected desired humidity level. The humidity in the room where the device is positioned must be at least 3 % higher than the target value. If necessary, reduce the set relative humidity.
- Check the condensate pump for proper functioning or unusual vibrations and sounds. Remove external dirt (see chapter Maintenance).
- Check the air filter for dirt. If necessary, clean or replace the air filter (see chapter Maintenance).
- Check the exterior of the condenser and the condensate pump for dirt (see chapter Maintenance). If the inside of the device is dirty, have it cleaned by a specialist company or by Trotec.

### The device is loud or vibrates:

- Check the air filter for dirt. If necessary, clean or replace the air filter (see chapter Maintenance).
- Check whether the device is set up in a stable and upright position.

### The device gets very warm, is loud or loses power:

- Check the air inlet and air filter for dirt. Remove external dirt.
- Check the inside of the device and especially the fan, the fan housing, the evaporator, the condenser and the condensate pump for external dirt (see chapter Maintenance). If the inside of the device is dirty, have it cleaned by a specialist company for cooling and air-conditioning or by Trotec.

### Your device still does not operate correctly after these checks?

Please contact the customer service. If necessary, bring the device to a specialist company for cooling and air-conditioning or to the manufacturer for repair.

### Error codes

The following error messages can be displayed on the segment display:

DH 105 S / DH 115 S only

Error code	Cause	Remedy
E1	Error message of the humidity sensor	Use the drying unit at a humidity level which complies with the technical data.
E2	Error message of the sensor in the refrigerant circuit	Switch the device off and contact the customer service.
E5	Wrong rotating field in the phase inverter	Correct the rotating field in the phase inverter as described in the chapter Mains connection.

## Maintenance

## Maintenance intervals

Maintenance and care interval	before every start-up	as needed	at least every 2 weeks	at least every 4 weeks	at least every 6 months	at least annually
Empty the condensate pump, condensation tray and/or condenser dryer		X				
Check air inlets and outlets for dirt and foreign objects and clean if necessary	X			X		
Clean the exterior		X				X
Visually check the inside of the device for dirt		X		X		
Check air inlet grid(s) and air filter(s) for dirt and foreign objects and clean or replace if necessary	X		X			
Replace the air filter(s)					X	
Check for damage	X					
Check the attachment screws		X				X
Test run						X

## Maintenance and care log


Device type: .....


Device number: .....

Maintenance and care interval	1	2	3	4	5	6	7	8	9	10	11	12	13	14	15	16
Check air inlets and outlets for dirt and foreign objects and clean if necessary																
Clean the exterior																
Visually check the inside of the device for dirt																
Check air inlet grid(s) and air filter(s) for dirt and foreign objects and clean or replace if necessary																
Replace the air filter(s)																
Check for damage																
Check the attachment screws																
Test run																
Comments																

1. Date: ..... Signature: .....	2. Date: ..... Signature: .....	3. Date: ..... Signature: .....	4. Date: ..... Signature: .....
5. Date: ..... Signature: .....	6. Date: ..... Signature: .....	7. Date: ..... Signature: .....	8. Date: ..... Signature: .....
9. Date: ..... Signature: .....	10. Date: ..... Signature: .....	11. Date: ..... Signature: .....	12. Date: ..... Signature: .....
13. Date: ..... Signature: .....	14. Date: ..... Signature: .....	15. Date: ..... Signature: .....	16. Date: ..... Signature: .....

**Activities required before starting maintenance**

-  **Warning of electrical voltage**  
Do not touch the mains plug with wet or damp hands.
- Switch the device off.
  - Disconnect the device from the mains by removing the mains plug from the socket. When doing so, be sure to hold the plug, not the cable.

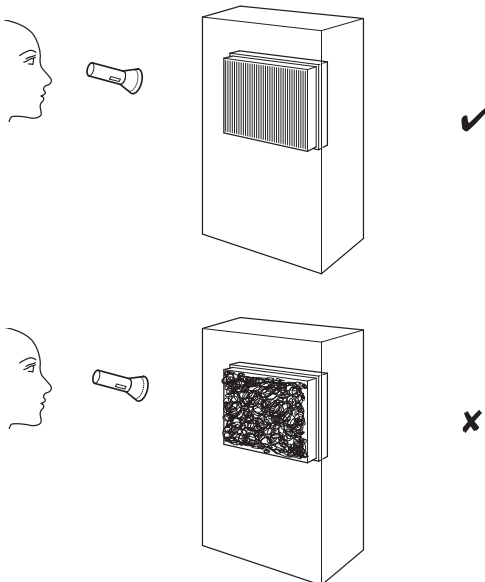
-  **Warning of electrical voltage**  
Tasks which require the device to be opened must only be carried out by authorised specialist companies or by the manufacturer.

**Cleaning the housing**


Clean the housing with a soft, damp and lint-free cloth. Make sure that no moisture enters the housing. Protect electrical components from moisture. Do not use any aggressive cleaning agents such as cleaning sprays, solvents, alcohol-based or abrasive cleaners to dampen the cloth.

**Visual inspection of the inside of the device for dirt**

1. Remove the air filter.
2. Use a torch to illuminate the openings of the device.
3. Check the inside of the device for dirt.
4. If you see a thick layer of dust, have the inside of the device cleaned by a specialist company for cooling and air-conditioning or by the manufacturer.
5. Put the air filter back in.

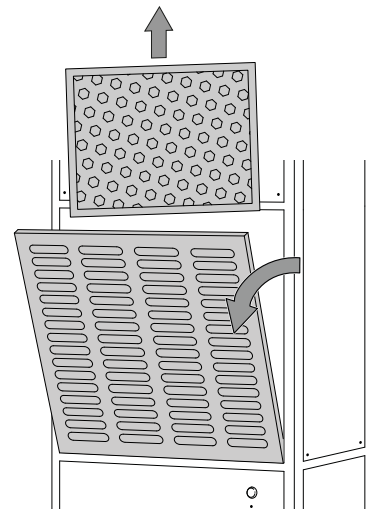


**Cleaning the air filter**

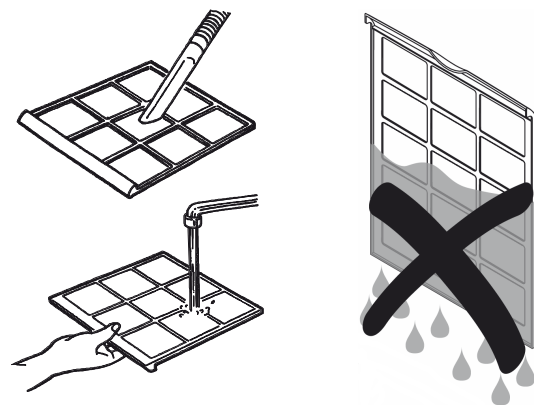
-  **Warning**  
Ensure that the air filter is not worn or damaged. The corners and edges of the air filter must not be deformed or rounded. Before reinserting the air filter, make sure that it is undamaged and dry!

The air filter has to be cleaned as soon as it is dirty. This is brought to light e.g. by a reduced capacity (see chapter Errors and faults).

1. Remove the air filter from the device.



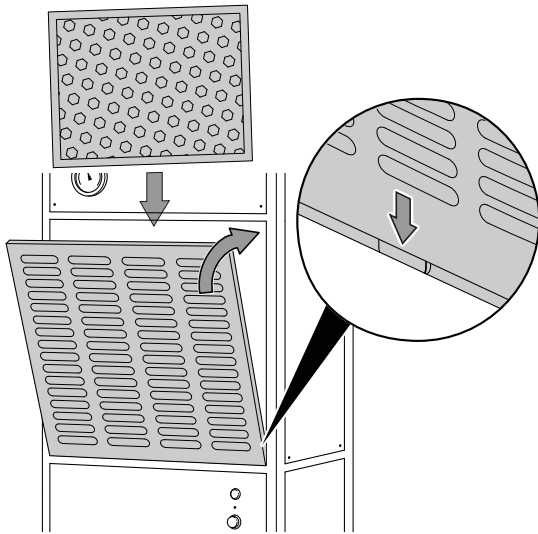
2. Clean the filter using a slightly damp, soft, lint-free cloth. If the filter is heavily contaminated, clean it with warm water mixed with a neutral cleaning agent.



**Refrigerant circuit**

- The entire refrigerant circuit is a maintenance-free, hermetically sealed system and may only be maintained or repaired by specialist companies for cooling and air-conditioning or by the manufacturer.

3. Allow the filter to dry completely. Do not insert a wet filter into the device!
4. Reinsert the air filter into the device.



### Condensate discharge

Drain remaining condensate from the device as follows:

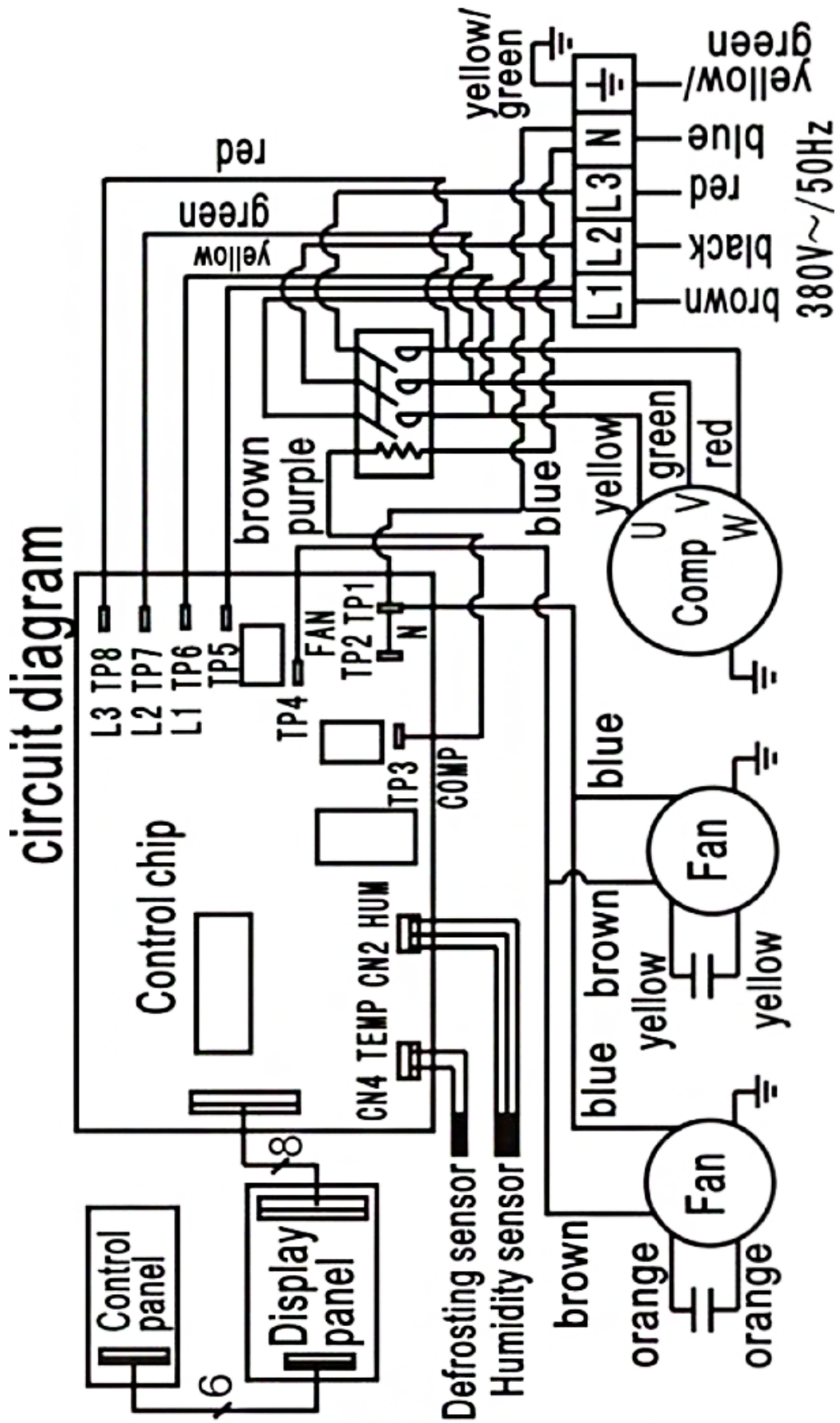
1. Press the button for draining residual water (3).
  - ⇒ The condensate pump transports the remaining condensate out of the condensation tray.
  - ⇒ The condensation tray has been drained completely when the condensate pump does not deliver any more condensate.
2. Remove the condensation drain hose and any residual fluid from it.
3. Allow the hose to dry prior to storage.

**Technical annex**
**Technical data**

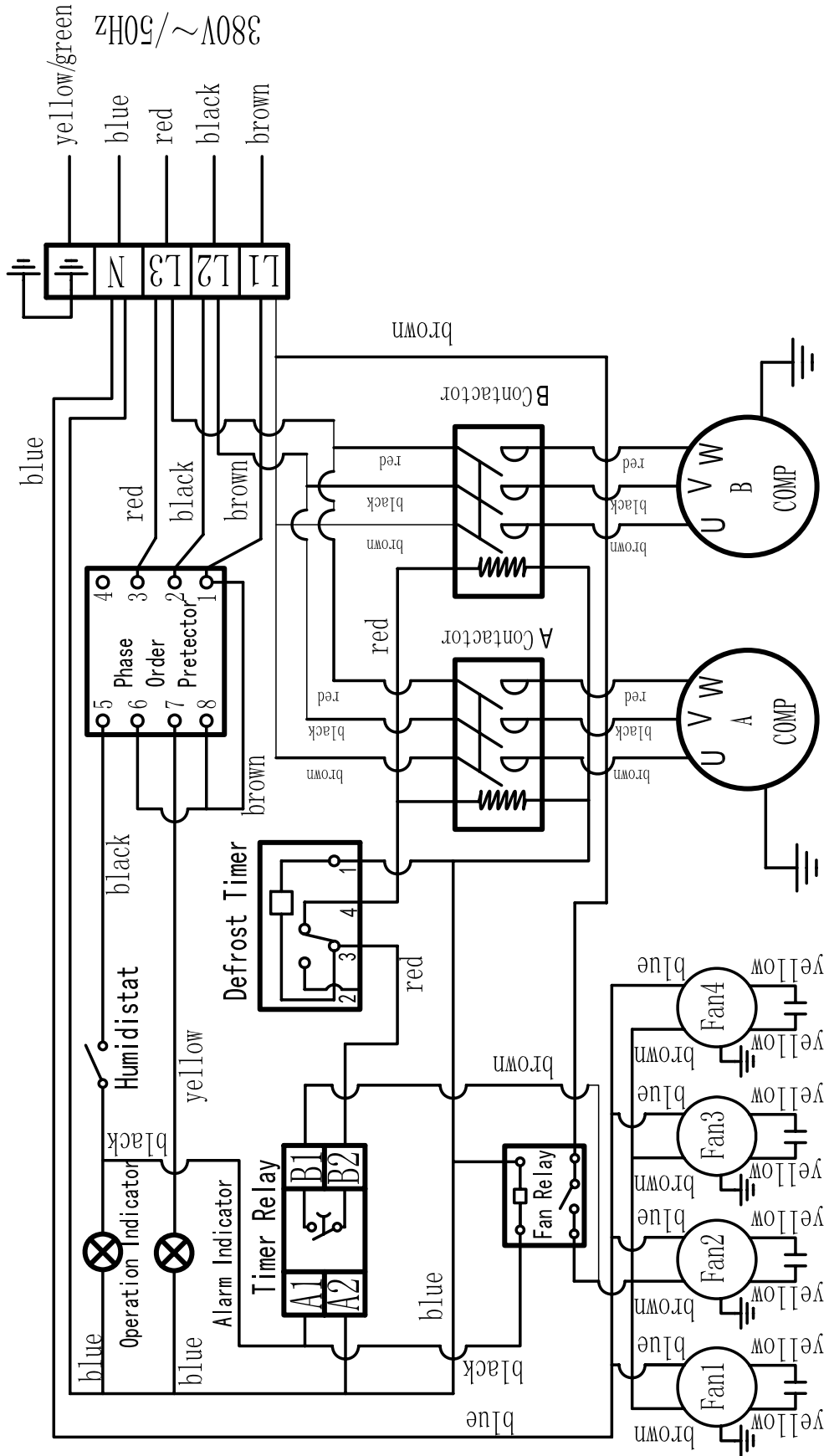
Parameter	Value		
Model	DH 105 S	DH 115 S	DH 145 SH
Dehumidification performance @ 30 °C and 80 % RH	175 l / 24 h	245 l / 24 h	485 l / 24 h
Air flow rate	1700 m <sup>3</sup> /h	2150 m <sup>3</sup> /h	4300 m <sup>3</sup> /h
Operating range (temperature)	5 °C to 32 °C	5 °C to 32 °C	5 °C to 32 °C
Operating range (relative humidity)	30 % to 90 % RH	30 % to 90 % RH	30 % to 90 % RH
Suction side pressure	1.65 MPa	1.65 MPa	1.65 MPa
Discharge side pressure	3.1 MPa	3.1 MPa	3.1 MPa
Mains connection	380 V / 50 Hz	380 V / 50 Hz	380 V / 50 Hz
Power consumption	3.0 kW	4.9 kW	8.5 kW
Nominal current	5.2 A	8.5 A	15 A
Refrigerant	R410A	R410A	R410A
Amount of refrigerant	1400 g	1730 g	3200 g
GWP factor	2088	2088	2088
CO <sub>2</sub> equivalent	2.92 t	3.61 t	6.68 t
Type of protection	IPX0	IPX0	IPX0
Sound pressure level (at a distance of 1 m)	68 dB(A)	70 dB(A)	70 dB(A)
Dimensions (length x width x height)	470 x 615 x 1653 mm	470 x 775 x 1635 mm	460 x 1195 x 1730 mm
Minimum distance to walls and other objects	A: top: 50 cm B: rear: 50 cm C: side: 50 cm D: front: 50 cm	50 cm 50 cm 50 cm 50 cm	50 cm 50 cm 50 cm 50 cm
Weight	124 kg	150 kg	235 kg



Wiring diagram DH 105 S / DH 115 S

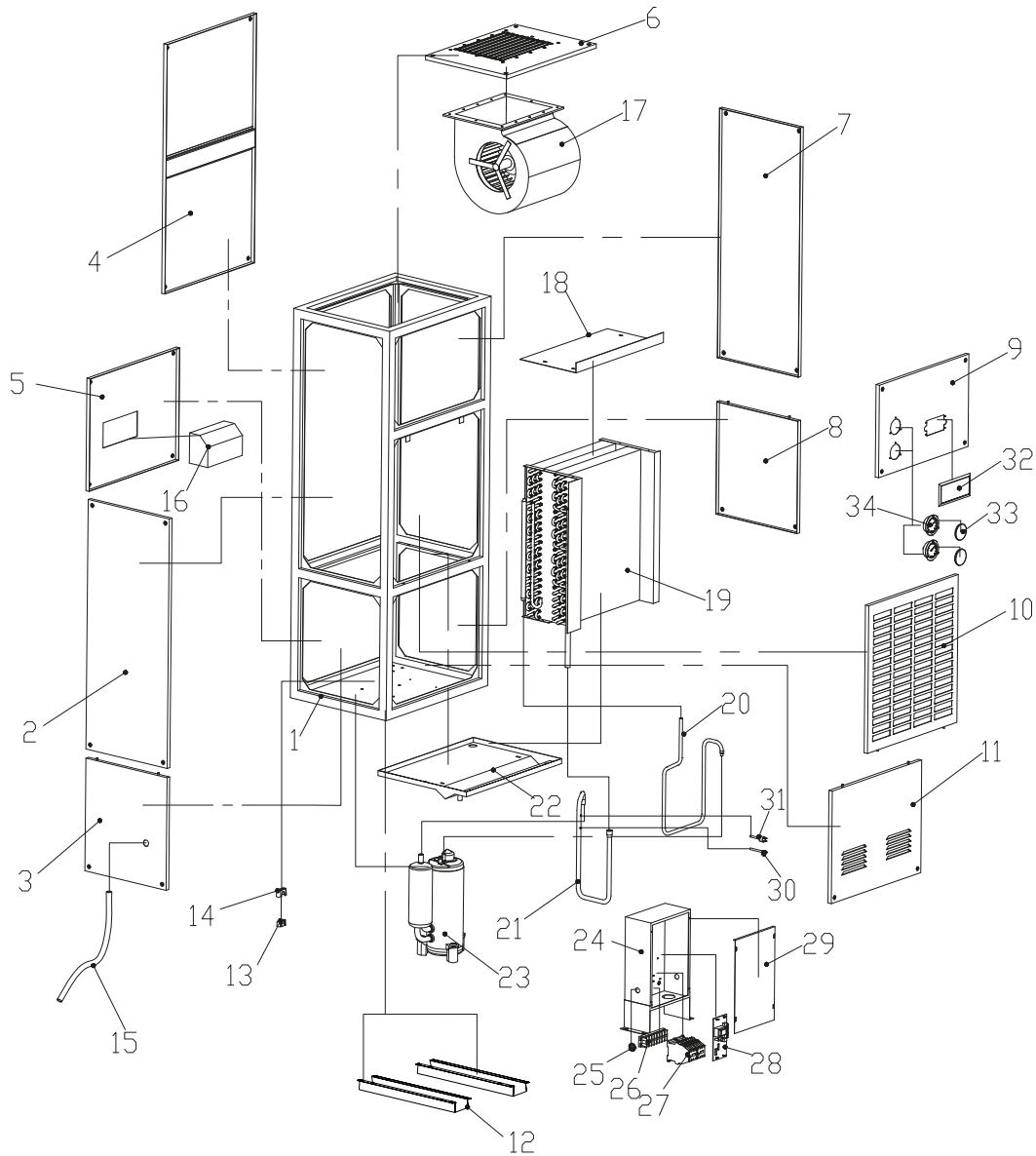


**Wiring diagram DH 145 SH**



## Overview of spare parts DH 105 S / DH 115 S

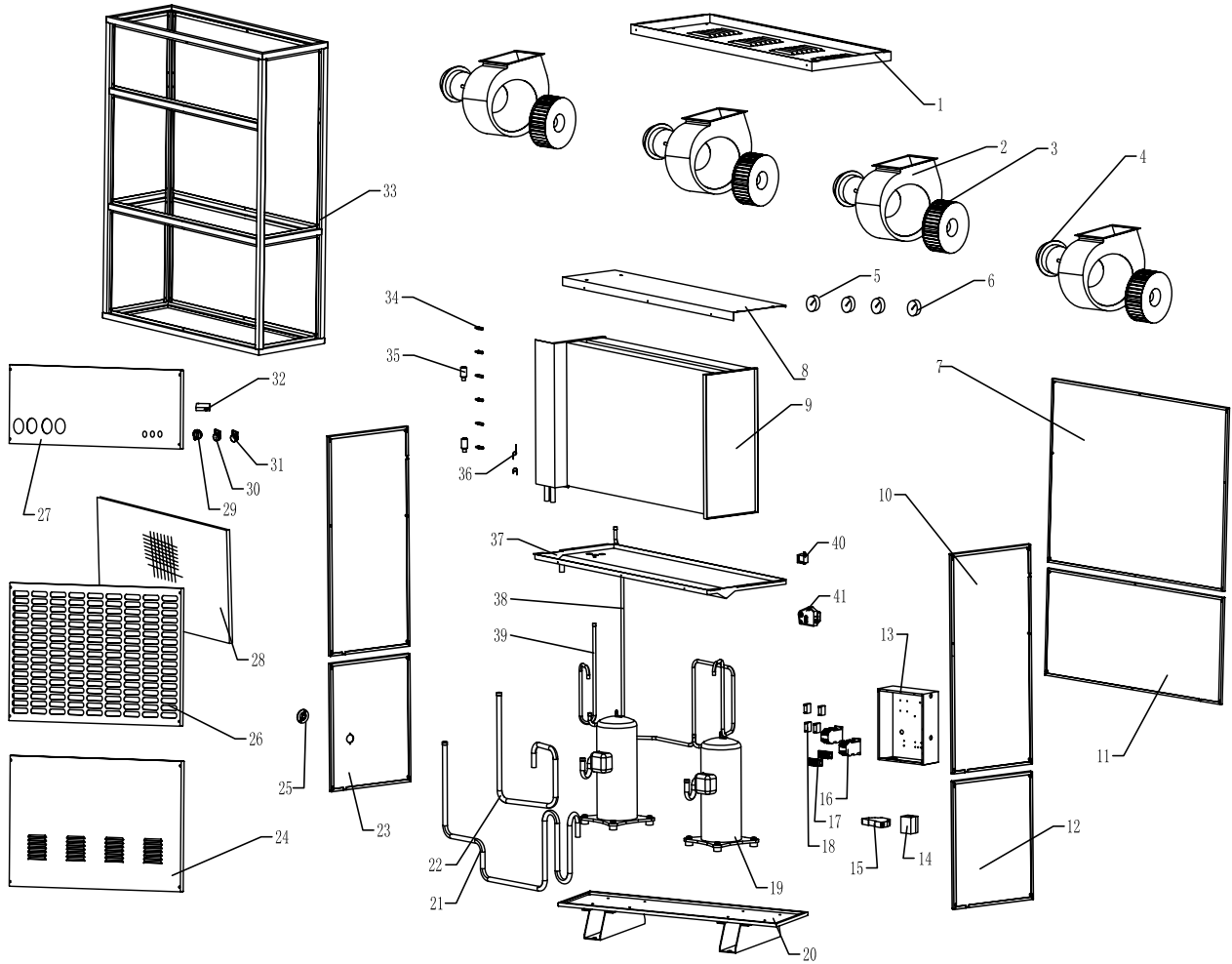
**Note:** The position numbers of the spare parts differ from those describing the positions of the components mentioned in these instructions.



No.	Spare part	No.	Spare part	No.	Spare part
1	frame	13	wire slot	25	coil
2	left upper cover plate	14	cover for slot	26	terminal
3	left lower cover plate	15	water tube	27	AC relay
4	rear upper cover plate	16	wire box	28	circuit board
5	rear lower cover plate	17	250 fan	29	electric box cover
6	cover plate	18	cover	30	ejector pin
7	right upper cover plate	19	evaporator and condenser parts	31	pressure switch
8	right lower cover plate	20	high pressure tube	32	control panel
9	front upper cover plate	21	low pressure tube	33	pressure gauge cover
10	front middle cover plate	22	defrost tray	34	pressure gauge
11	front lower cover plate	23	compressor		
12	skids	24	electrical box		

**Overview of spare parts DH 145 SH**

**Note:** The position numbers of the spare parts differ from those describing the positions of the components mentioned in these instructions.



No.	Spare part	No.	Spare part	No.	Spare part
1	Top Cover	15	Timer Relay	29	Rotary Knob
2	Volute	16	AC Contactor	30	Running Indicator (Green)
3	Blade	17	5-Pose Terminal	31	Warning Indicator (Yellow)
4	Motor	18	Capacitor	32	Temperature Switch
5	Exhaust Pressure Meter	19	Compressor	33	Frame
6	Intake Pressure Meter	20	Base Plate Set	34	3-Way Fluid Intake Tube
7	Rear Plate (Upper)	21	Muffler A (Compressor)	35	Filtering Device
8	Condensate Cover-Plate	22	Muffler B (Compressor)	36	Capillary
9	Heat-Exchanger Set	23	Left Plate (Lower)	37	Water Pan
10	Left & Right Plate (Upper)	24	Lower Front Plate	38	Exhaust Pipe A (Compressor)
11	Rear Plate (Lower)	25	Water Outlet Port	39	Exhaust Pipe B (Compressor)
12	Right Plate (Lower)	26	Air-Intake Grille	40	Relay
13	Electronics Box	27	Upper Front Plate	41	Defrost Timer
14	Phase-Protect Relay	28	Filter		

## Disposal

Always dispose of packing materials in an environmentally friendly manner and in accordance with the applicable local disposal regulations.



The icon with the crossed-out wheeled bin indicates that this device and any associated components must not be disposed of with household waste at the end of their life, in accordance with the Waste Electrical and Electronic Equipment Directive (2012/19/EU) and national laws.

You will find collection points for free return of waste electrical and electronic equipment in your vicinity. The addresses can be obtained from your municipality or local administration. You can also find out about other return options that apply for many EU countries on the website <https://hub.trotec.com/?id=45090>. Otherwise, please contact an official recycling centre for electronic and electrical equipment authorised for your country.

The separate collection of waste electrical and electronic equipment aims to enable the re-use, recycling and other forms of recovery of waste equipment as well as to prevent negative effects for the environment and human health caused by the disposal of hazardous substances potentially contained in the equipment.

The device is operated with fluorinated greenhouse gas, which can be dangerous for the environment and contribute to global warming when emitted to the atmosphere.

Further information is provided on the nameplate.

Dispose of the refrigerant appropriately and according to the national regulations.

### Only for United Kingdom

According to Waste Electrical and Electronic Equipment Regulations 2013 (SI 2013/3113) (as amended) devices that are no longer usable must be collected separately and disposed of in an environmentally friendly manner.

## EU Declaration of Conformity (original)

Declaration of conformity in accordance with the EC Machinery Directive 2006/42/EC, Annex II, Part 1, Section A

We – Trotec GmbH – declare in sole responsibility that the product designated below was developed, constructed and produced in compliance with all relevant provisions of the EC Machinery Directive in the version 2006/42/EC.

**Product model / product:** DH 105 S  
DH 115 S  
DH 145 SH

**Product type:** condenser dryer

**Year of manufacture as of:** 2024

**The product also complies with all relevant provisions of the following directives/regulations:**

- 2014/30/EU

**Applied harmonised standards:**

- EN 60335-1:2012  
EN 60335-1:2012/AC:2014  
EN 60335-1:2012/A11:2014  
EN 60335-1:2012/A13:2017  
EN 60335-1:2012/A15:2021
- EN 60335-2-40:2003  
EN 60335-2-40:2003/A11:2004  
EN 60335-2-40:2003/A12:2005  
EN 60335-2-40:2003/A1:2006  
EN 60335-2-40:2003/A13:2012/AC:2013  
EN 60335-2-40:2003/A13:2012  
EN 60335-2-40:2003/A2:2009  
EN 60335-2-40:2003/AC:2006  
EN 60335-2-40:2003/AC:2010

**Applied national standards and technical specifications:**

- EN IEC 55014-1:2021
- EN IEC 55014-2:2021
- EN IEC 61000-3-2:2019
- EN IEC 61000-3-2:2019/A1:2021
- EN 61000-3-3:2012/A1:2019

**Manufacturer and name of the authorised representative of the technical documentation:**

Trotec GmbH  
Grebener Straße 7, D-52525 Heinsberg  
Phone: +49 2452 962-400  
E-mail: [info@trotec.de](mailto:info@trotec.de)

Place and date of issue:

Heinsberg, 01.01.2024



Joachim Ludwig, Managing Director

Trotec GmbH

Grebener Str. 7  
D-52525 Heinsberg

📞 +49 2452 962-400

📠 +49 2452 962-200

✉ [info@trotec.com](mailto:info@trotec.com)

🌐 [www.trotec.com](http://www.trotec.com)